---

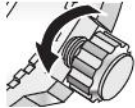


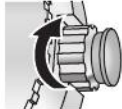


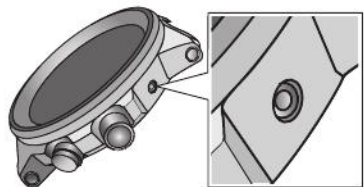


[REDACTED]

[REDACTED]

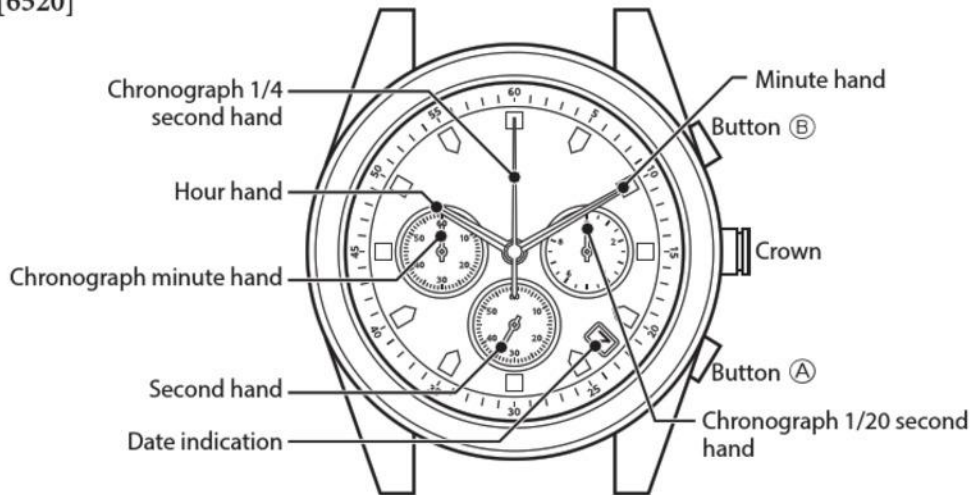
[REDACTED]



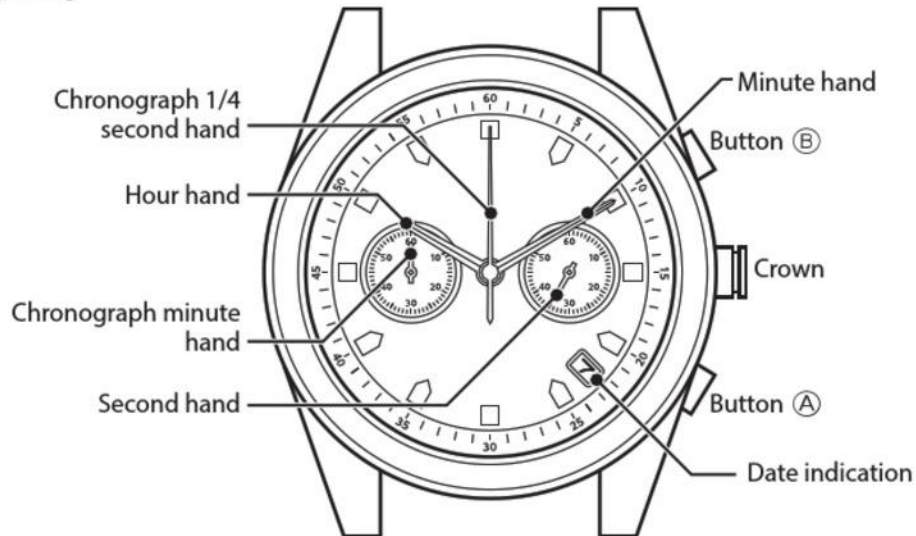
## Component identification

[6520]



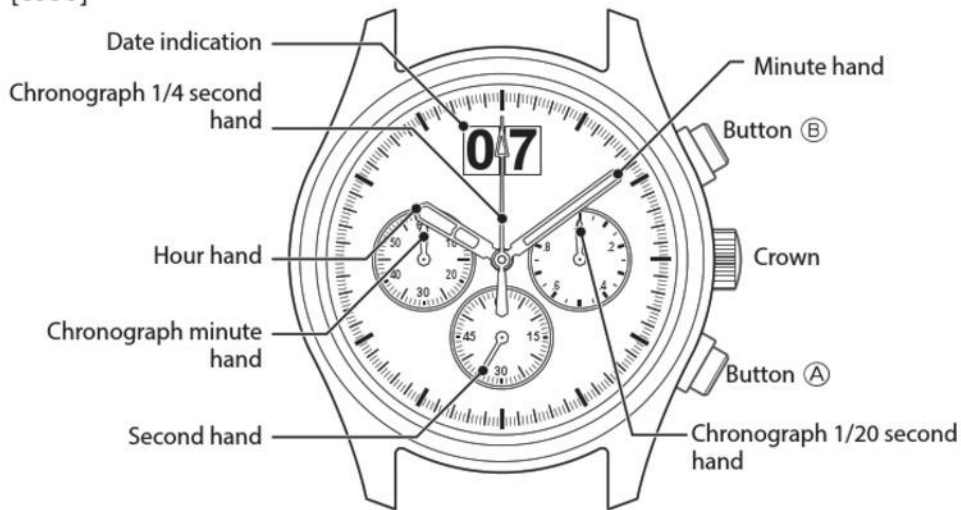
- Actual appearance may differ from the illustrations.

[6521]

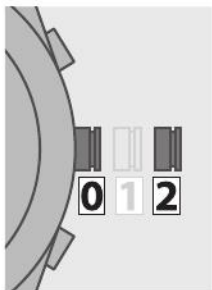


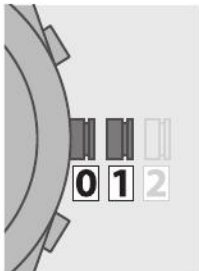
- Actual appearance may differ from the illustrations.

[6550]



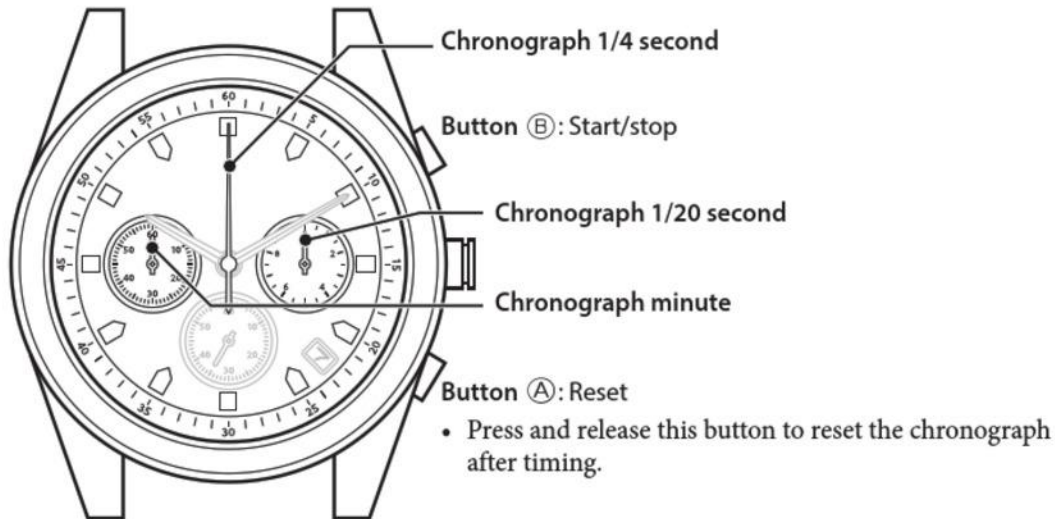
- Actual appearance may differ from the illustrations.





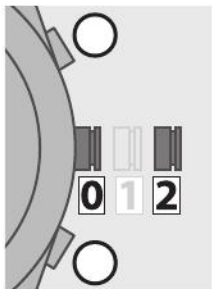
# Using the chronograph

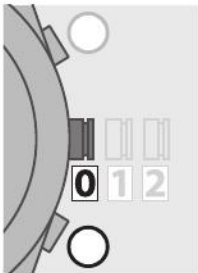
## Chronograph measurement



- Illustration of 6520 is used for explanation here.























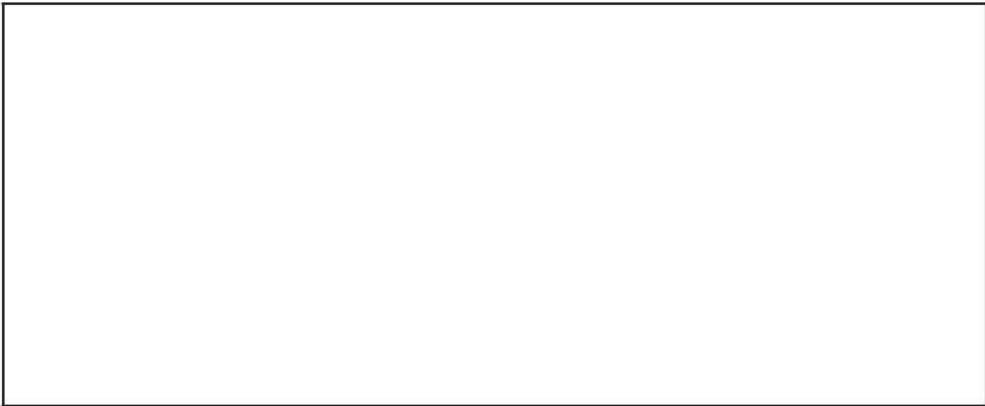















---

--	--