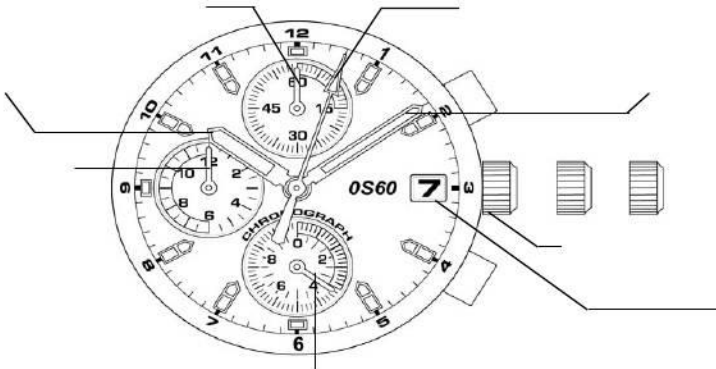


# MIYOTA

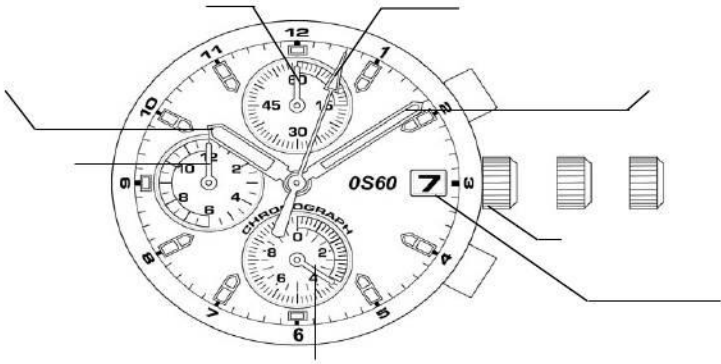
---

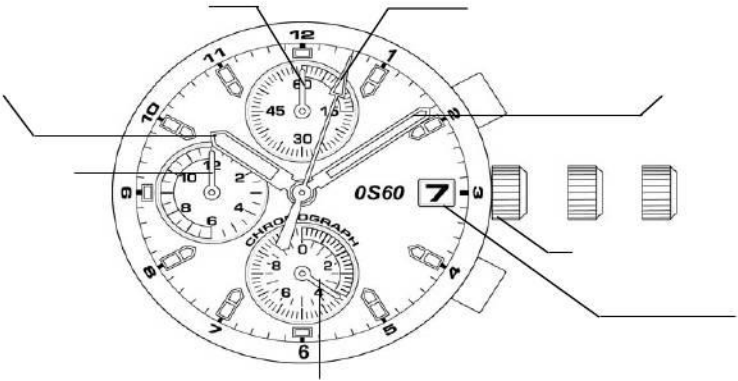
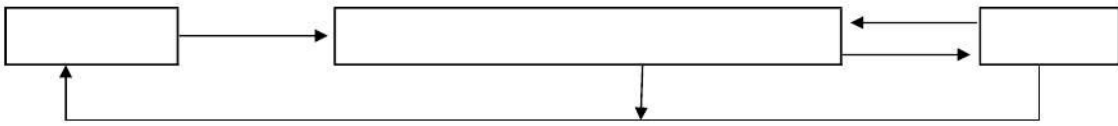
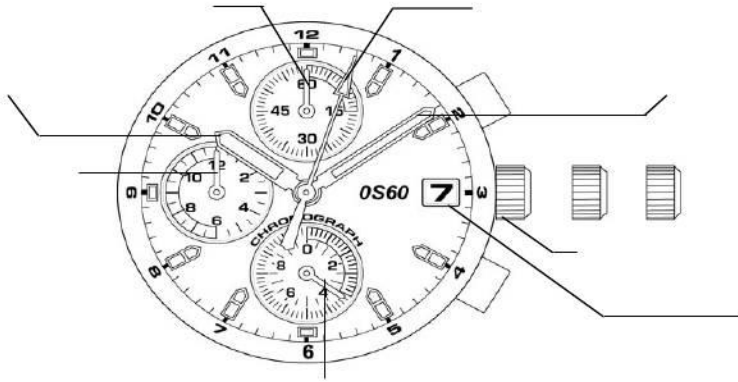
---

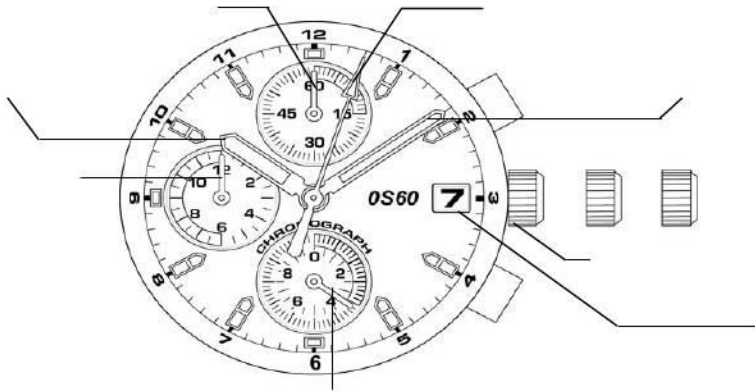
---







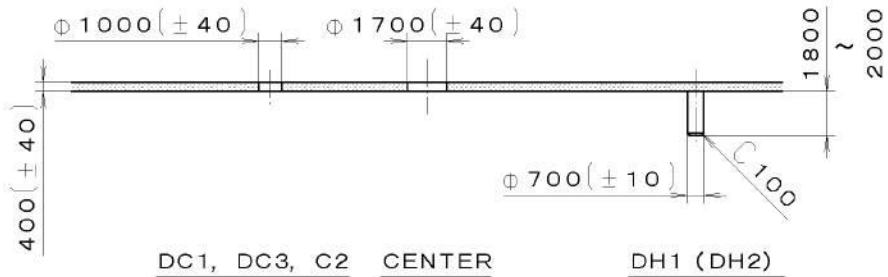
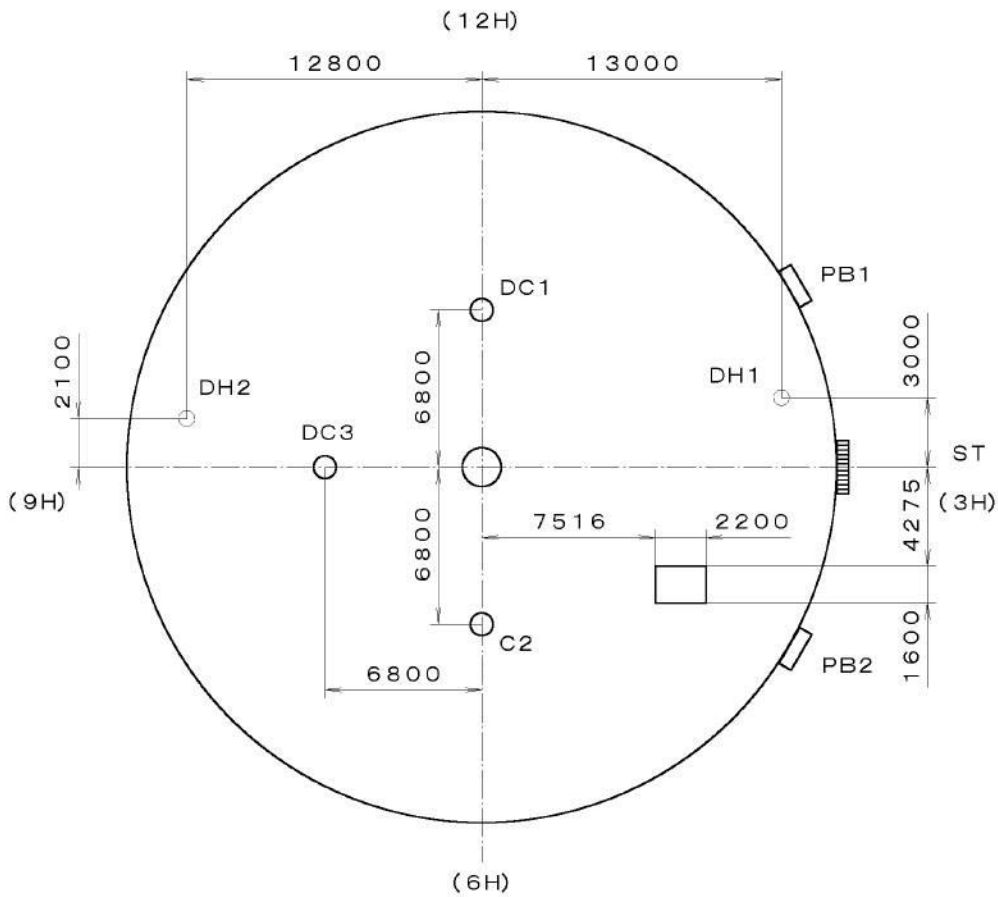






This drawing is provisional and subject to our reconfirmation and/or revision without notice.

00-07-05 30.6  
 (2100-1121)  
 0S10-00S (01) \*\*\*

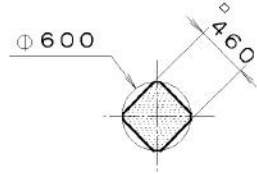


Quantity		Cal. No. : OS10-00S	
Unit		OS60-00S	
Scale		Parts:	
Date		Name:	
Drawn		Indications for Dial	
Checked T. Hiruta		Drawing No. : OS10D010	
Approved			
Material	General Tolerances		
Heat Treatment	Dimensions		
Hardness	Angles		
Plating			



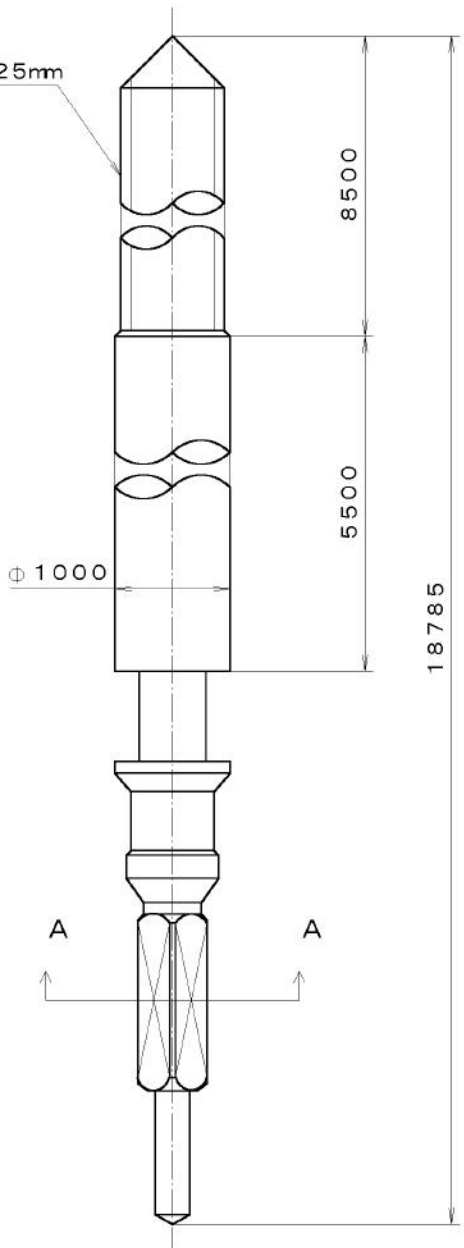
This drawing is provisional and subject to our reconfirmation and/or revision without notice

065-453 (01) \*\*\* (2100-1121) 00-07-05



Section A-A

S0. 9, P= 0. 225mm



Quantity		Cal. No. :	
Unit		1/1000 mm	
Scale		20:1	
Date		Parts: <b>065-453</b>	
Drawn			
Checked		Name:	
Approved		<b>SETTING STEM</b>	
Material		Drawing No. : 4530S000	
Heat Treatment		General Tolerances	
Hardness		Dimensions	
Plating		Angles	

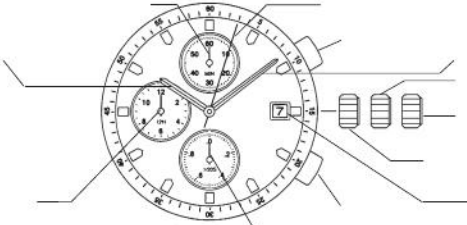


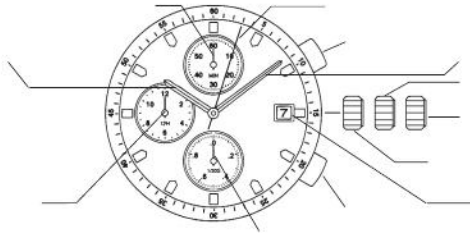


---

---

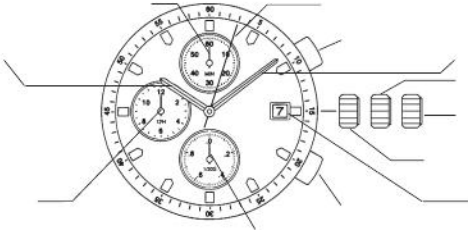
A) DISPLAYS AND BUTTONS







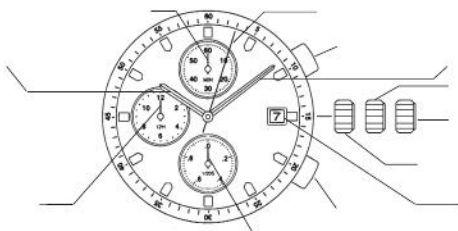
A) DISPLAY UND KNÖPFE



---

---

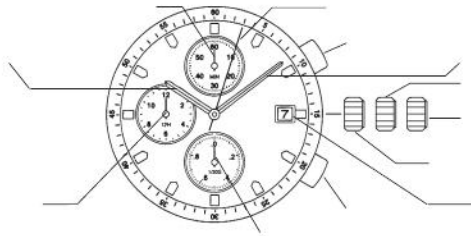
**A) Indications et Boutons**



---

---

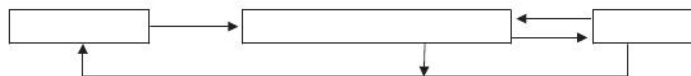
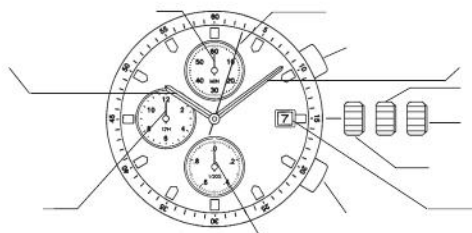
**A) VISUALIZACIÓN Y BOTONES**



---

---

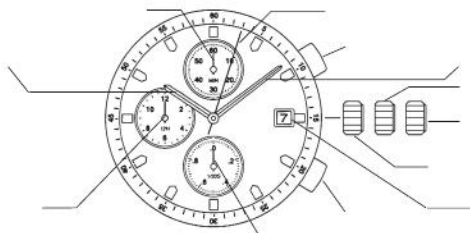
A) VISUALIZZAZIONI E PULSANTI

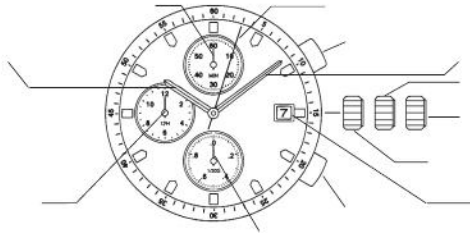


---

---

**A) MOSTRADOR E BOTÕES**





---

---

**А) ЦИФЕРБЛАТ И КНОПКИ**

