

FEATURES

The Cal. V157A/V158A are analogue watches with a solar power generation system.

- Solar power generation system

The watch operates while charging electricity by converting light received on the dial to electrical energy. It lasts for 10 months after full charge.

- Energy depletion forewarning function

When the energy stored in the rechargeable battery is reduced to an extremely low level, the second hand starts moving at 2-second intervals instead of the normal 1-second intervals.

- Instant-start function

When the watch is exposed to sunlight or strong artificial light (of more than 1,000 lux), it will start operating immediately with the second hand moving at 2-second intervals.

- Guideline of charging time

Environment/Light source	Illumination (lux)	Time required for full charge	Time required for steady operation	Time to charge 1 day of power
General offices/ Fluorescent Light	700	-	25 hours	110 minutes
30W 20cm/Fluorescent light	3,000	120 hours	6 hours	30 minutes
30W 3cm/ Fluorescent light	10,000	35 hours	2 hours	10 minutes
Cloudy weather/Sunlight	10,000	35 hours	2 hours	10 minutes
Fair weather/Sunlight	100,000	9 hours	0.4 hours	2 minutes

The above table provides only a general guideline.

It is recommended that the watch be charged for as long as the charging time according to the column "Time required for steady operation" in this table in order to assure the stable movement of the watch.

- Caution for charging

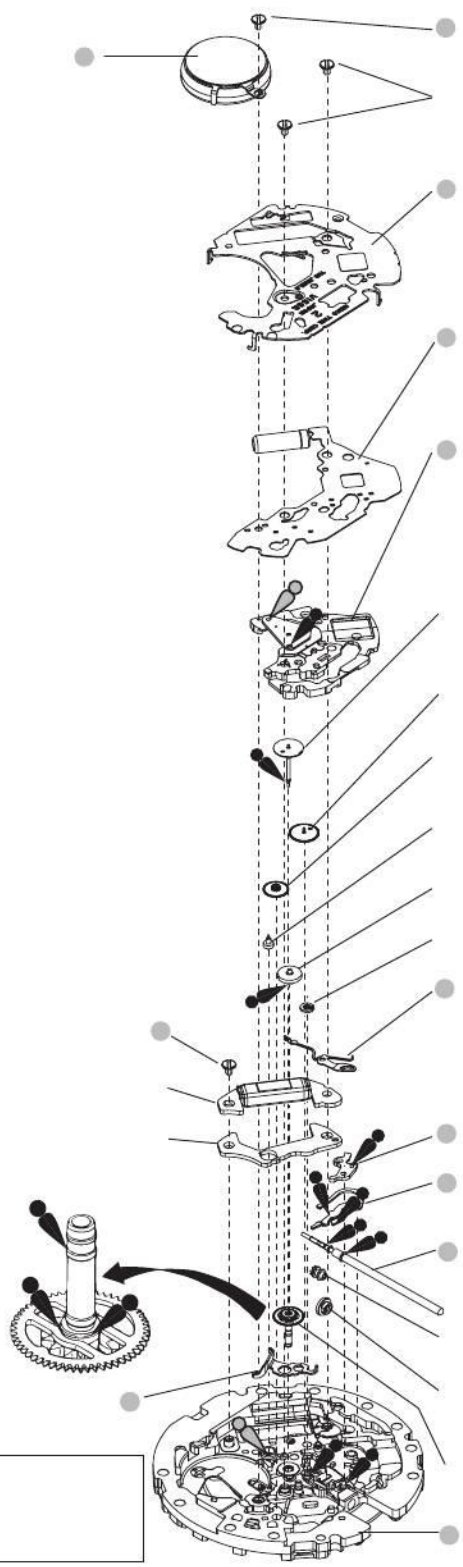
When charging the watch, do not place it too close to a photo flash light, spotlight, incandescent light or other light sources as the watch temperature will become extremely high, causing damage to the parts inside the watch.

When exposing the watch to sunlight to charge it, do not leave it on the dashboard of a car, etc. for a long time, as the watch temperature becomes extremely high.

While charging the watch, make sure the watch temperature does not exceed 60 °C.

V158A is a caliber which improved standard accuracy and power reserve from V145A, and also available to be used for diver's watch.

V157A is a same caliber as V158A, but without a day calendar mechanism.



● **How to find the correct parts, if not determined by 4 digit caliber number**

Following parts are determined based on the design of watches, such as hands height, dial color, and design of cases. Please refer to the SEIKO WATCH PARTS CATALOGUE in order to choose corresponding parts.

④ HOLDING RING FOR DIAL 0866855/0866861

The type of HOLDING RING FOR DIAL is determined based on the design of cases. Check the case number and refer to the "SEIKO WATCH PARTS CATALOGUE" to choose corresponding HOLDING RING FOR DIAL.

⑤ SOLAR CELL 4025581 (for V157A) 4025580 (V158A)

⑨ DAY STAR WITH DIAL DISK (only for V158A)

Parts number	Position of crown and calendar frame	Language	Color of figure	Color of background
0160565	3 o'clock	English/Spanish	Black	White
0160575	3 o'clock	English/Spanish	White	Black

The DAY STAR WITH DIAL DISK used differs depending on the casing model. Refer to the parts code number printed on the DAY STAR WITH DIAL DISK.

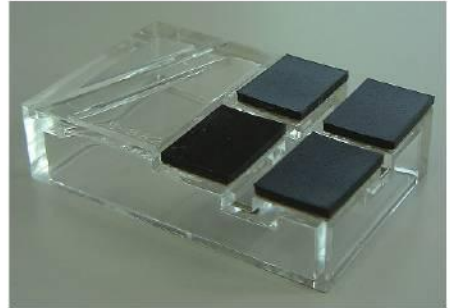
⑫ DATE DIAL

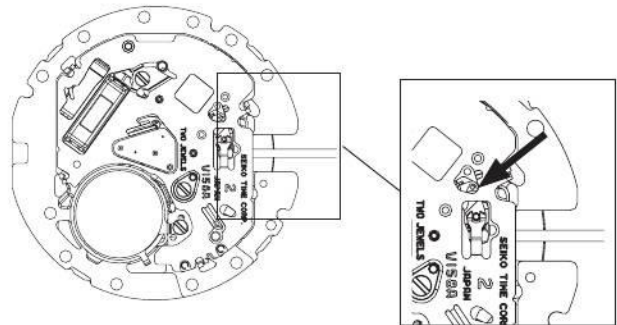
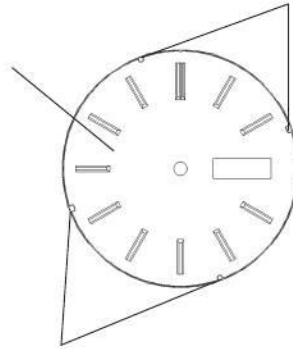
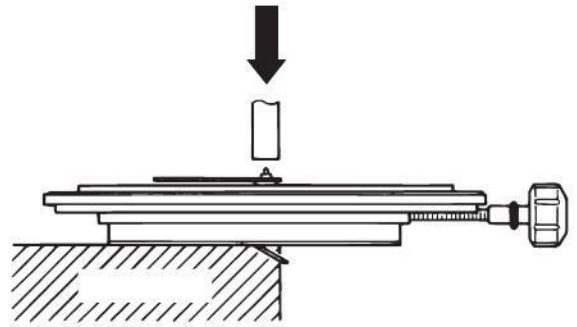
Parts number	Position of crown and calendar frame	Color of figure	Color of background
0878580	3 o'clock	Black	White
0878587	3 o'clock	White	Black

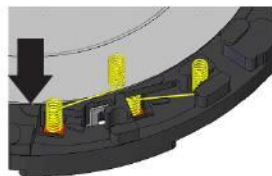
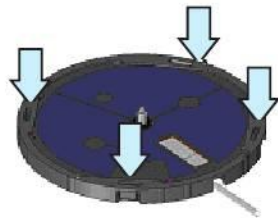
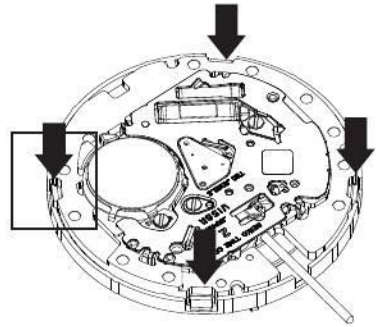
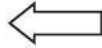
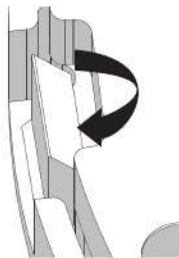
The type of DATE DIAL is determined based on the design of cases. Check the case number and refer to the "SEIKO WATCH PARTS CATALOGUE" to choose corresponding DATE DIAL.

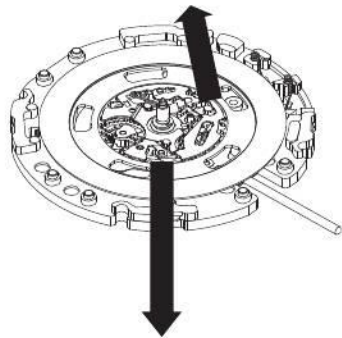
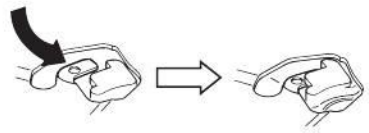
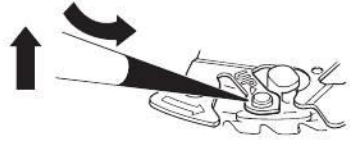
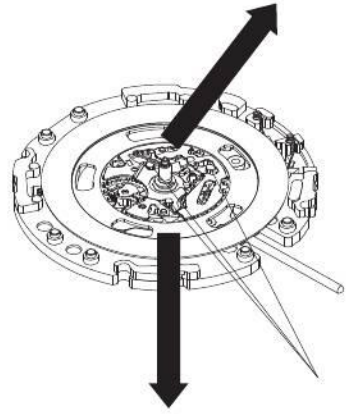
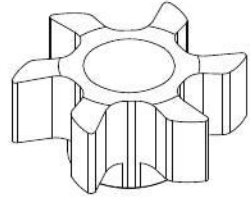
⑳ SETTING STEM 0351892

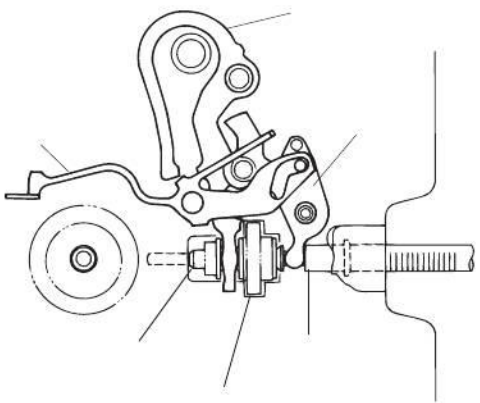
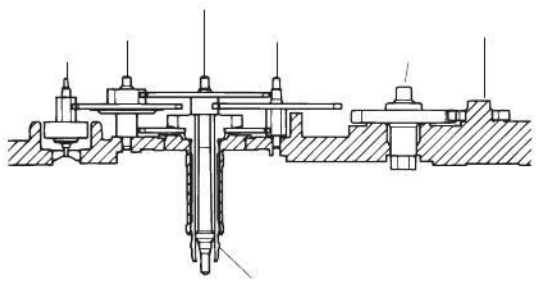
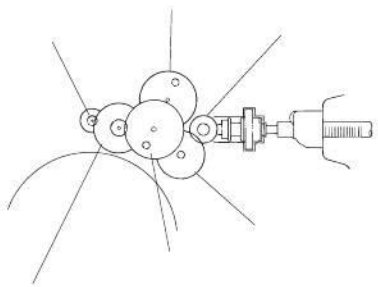
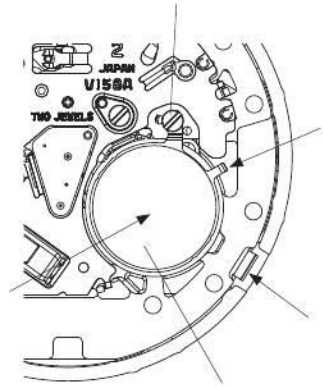
The type of SETTING STEM is determined based on the design of cases. Check the case number and refer to the "SEIKO WATCH PARTS CATALOGUE" to choose corresponding SETTING STEM.

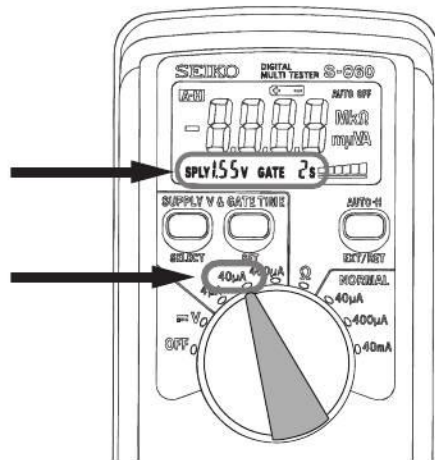
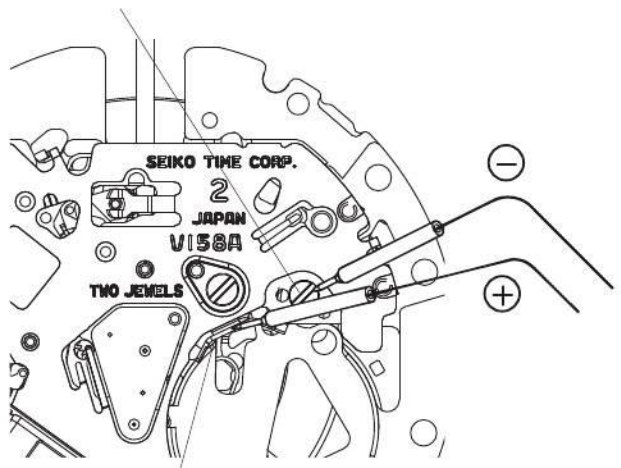


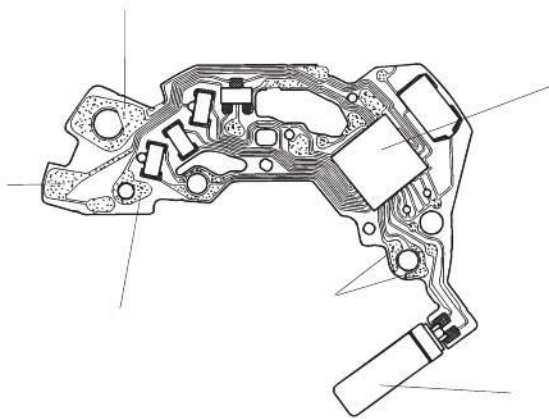
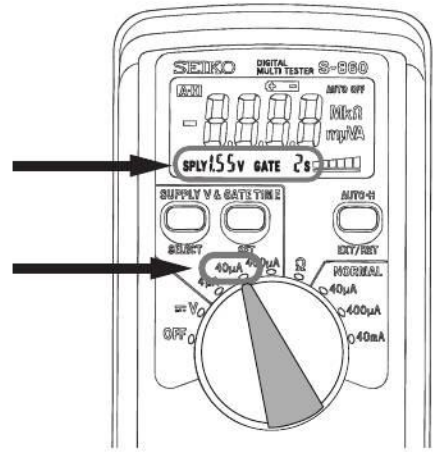


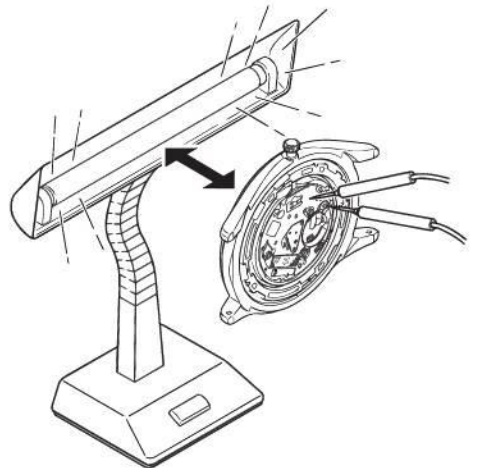
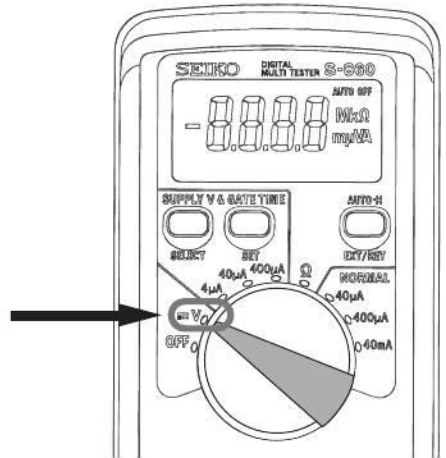
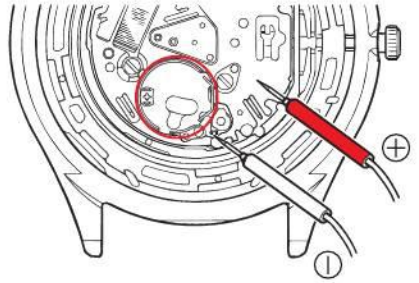


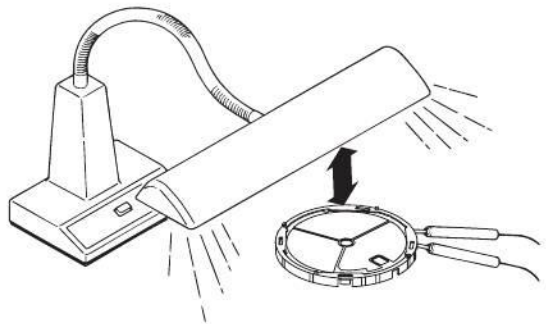
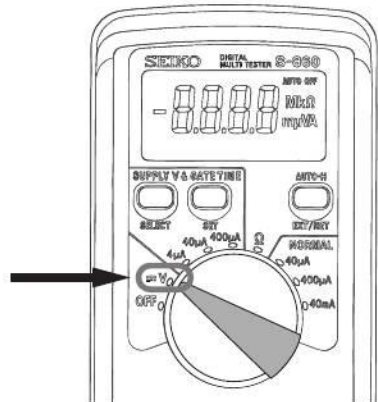
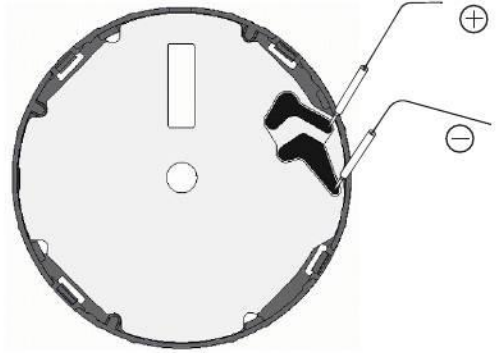


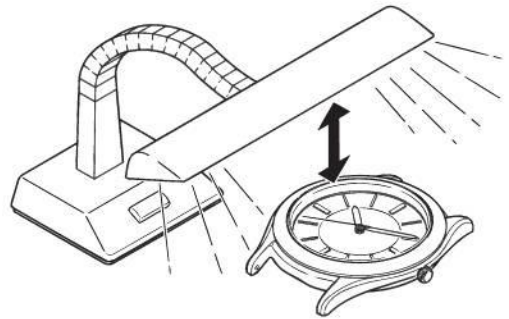
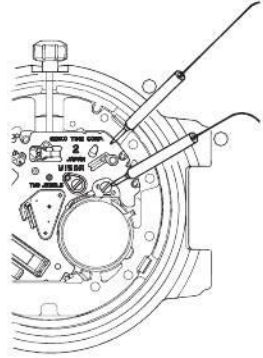


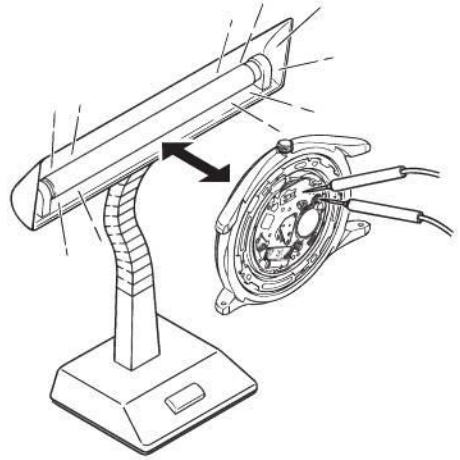
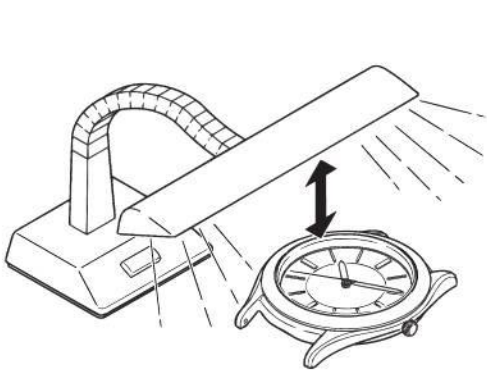


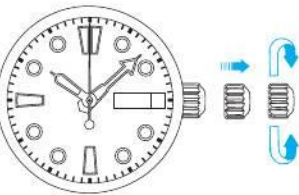
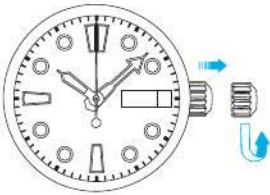
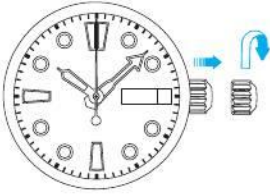
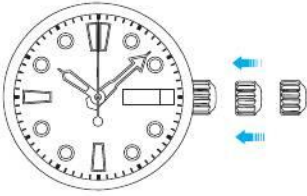






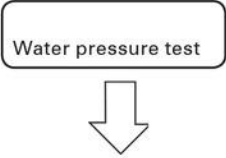
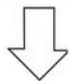
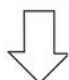






● CHECKING THE WATER RESISTANCE

Check the water resistance according to the designated specification of the watch.

Marking on the case back	Test method	Applied pressure
WATER RESISTANT (WATER RESIST)	Air leak test	3 BAR
WATER RESIST 5BAR		5 BAR
WATER RESIST 10BAR		10 BAR
WATER RESIST 15BAR		15 BAR
WATER RESIST 20BAR		20 BAR
SCUBA DIVER'S (AIR DIVER'S) 150 m		Condensation test
SCUBA DIVER'S (AIR DIVER'S) 200 m		25 BAR = 200 (m) times 0.125
He-GAS DIVER'S 300 m		Water pressure test
He-GAS DIVER'S 600 m		75 BAR = 600 (m) times 0.125
He-GAS DIVER'S 1000 m		Condensation test

● CHECKING THE ACCURACY - INSTANTANEOUS RATE

Measure the rate and make sure the value shows within ± 0.50 s/d.

Use 10-second gate of the tester.