

NEW PRODUCT INFORMATION

Aqualand Eco-Drive

Cal.U10X / Model No. JV00X X

A diver's watch using 4 motors, 4 hand independent movement and equipped with a depth meter. The depth meter can measure depths down to 100m and can save up to 20 diving logs. It is equipped with 3 types of warning functions, using sound, LEDs and character display.



JV0000-01E



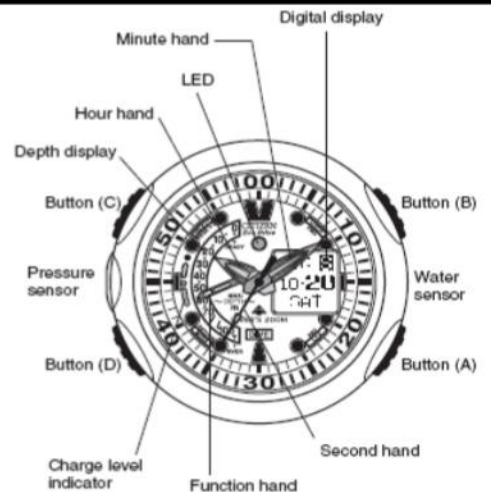
JV0020-04E

Other Model

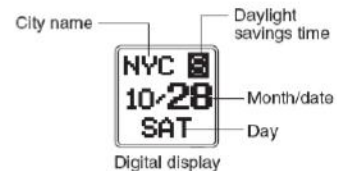
JV0000-10F
 JV0000-28E
 JV0007-02E
 JV0009-91E
 JV0010-08E
 JV0019-97E
 JV0020-12F
 JV0027-05E
 JV0029-93E
 JV0030-01E
 JV0050-03E

Specifications & Names of Components

- Time keeping accuracy: ± 15 seconds per month on average
- Water depth measurement range: 1.0 m to 100.0 m/ 0 ft to 300 ft
- Water temperature measurement range: -9.9°C to $+40^{\circ}\text{C}/14^{\circ}\text{F}$ to 104°F
- Modes and Display Functions:
 - Time: Analog: Hour hand, minute hand, second hand, function hand (charge level/ depth measurement)
 - Digital: City name, month, date, day, year (during correction only), daylight savings time
 - Surface time measurement
 - Travel Time
 - 3 Alarms
 - Diving Mode:
 - Depth alarm (dive alarm tone sounds, LED lights)
 - Dive time alarm (dive alarm tone sounds, LED lights)
 - Diving log recall:
 - No. of diving logs capable of being recalled: Most recent 20 logs
 - Log contents: Log number (01-99, 00), dive date, time zone, daylight savings time, dive starting time, maximum depth, min water temperature, dive time.
 - Water sensor
 - Pressure sensor
 - Alarm functions:
 - Digital display error, b. Water sensor error, c. Pressure sensor error
 - d. Measurement error (0 m/0 ft detection), e. Diving log memory error, f. Abnormal depth alarm
 - g. Depth measurement out of range error, h. Ascent rate alarm, i. Abnormal depth display, j. Dive time alarm
- Additional Functions:
 - Charge level indicator function, b. Insufficient charge warning function, c. Power save 1 & 2, d. Overcharge prevention function, e. EL light
- Continuous operating times: Approx. 6 months (when Power Save is not activated), Approx. 2.5 years (when Power Save 2 is activated) • From 2-second interval movement to stopped: Approx. 2 days.



The illustrations shown in this manual may differ from the actual watch you have purchased.



Setting the Time and Date

1. Using the Time/Date Mode

This mode indicates the time with the hands and displays the date on the digital display. The function hand indicates the charge level of the secondary battery.

A. Setting the Time and Date

- Analog time cannot be corrected independently. The analog time is corrected automatically when the digital time is corrected.

(1) The watch enters the correction state when button (C) is pressed for about 2 seconds in the time/date mode.

- Digital display: Changes to "seconds" and flashes.

- Hour, minute and second hands: Move to 12:00 and stop.

- If the second hand does not stop at the 12:00 position, press button (B) to set it to 12:00. The second hand moves 1 second when button (B) is pressed. Continuously depressing button (B) causes the second hand to move continuously.

(2) The flashing location on the display changes in the order shown below each time button (C) is pressed.

(3) Correct the flashing location by pressing button (B) or button (A).

- The display moves forward by one each time button (B) is pressed.

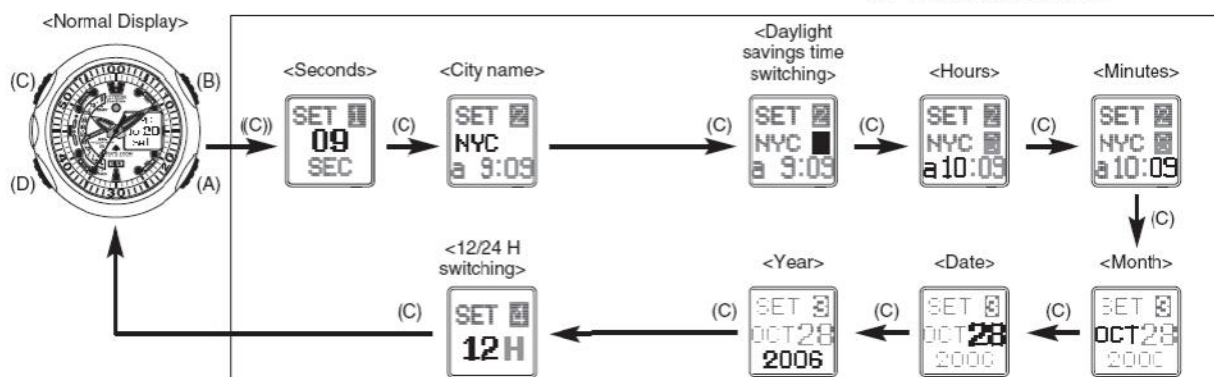
- The display moves back by one each time button (A) is pressed.

- Depressing either button continuously causes the display to advance rapidly.

(4) The watch returns directly to the normal display when button (D) is pressed in the correction state.

((C)) : Press button (C) for about 2 seconds.

(C) : Press button (C) once.



Using the Travel Time Mode

This mode is used to display the time and date of a selected city by selecting a city name from UTC and 42 cities registered in this watch.

Setting Travel Time

(1) A city name flashes when button (C) is pressed for about 2 seconds in the travel time mode.

- The hour and minute hands move to 12:00 and stop.

(2) Switch the city name by pressing button (A) or button (B).

- City names are recalled moving in the direction in which the time difference increases when button (B) is pressed. City names are recalled moving in the direction in which the time difference decreases when button (A) is pressed.

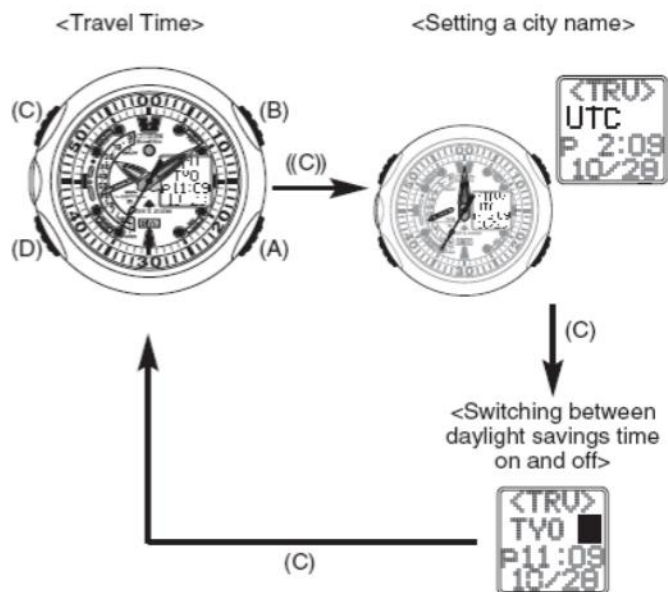
- The city name can be switched continuously by depressing either button continuously.

- Refer to "Displayed Cities" for information on cities displayed by this watch.

(3) The watch enters the daylight savings time correction state when button (C) is pressed.

(4) Correct by pressing button (A) or button (B). • The "S" and "■" marks change back and forth each time a button is pressed.

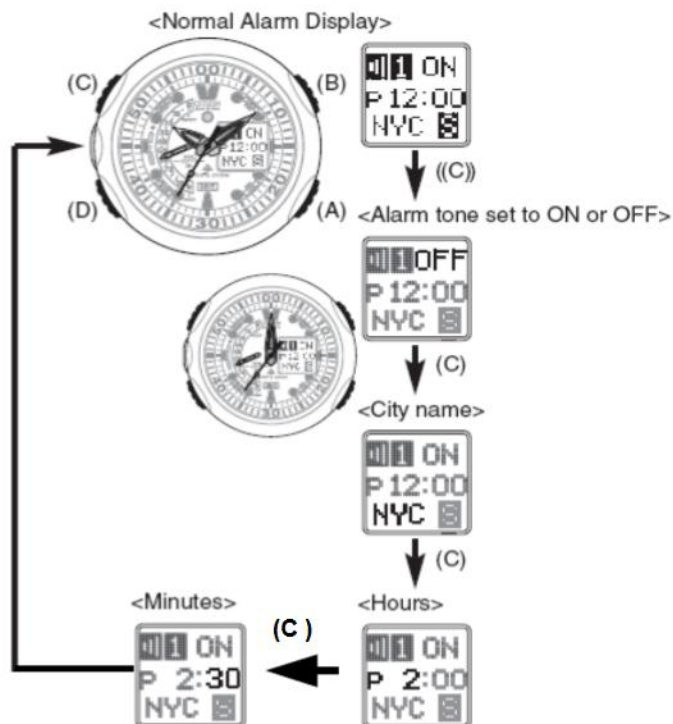
(5) The watch returns directly to the normal travel time display when button (D) is pressed while in the correction state.



Setting the Alarm

The procedures for setting the alarm and operating the Alarm 1, Alarm 2 and Alarm 3 modes are the same. Only the alarm tone is different.

- (1) When button (C) is pressed for about 2 seconds in the normal alarm mode display, ON or OFF flashes on the digital display and the watch enters the correction state.
- The hour and minute hands move to 12:00 and stop.
- (2) The flashing location on the display changes in the order shown below each time button (C) is pressed.
- (3) The flashing location is corrected by pressing button (A) or (B).
- The display moves forward by 1 each time button (B) is pressed.
- The display moves back by 1 each time button (A) is pressed.
- Depressing either button continuously causes the display to advance rapidly.
- (4) The watch returns directly to the normal alarm display when button (D) is pressed in the correction state.
- The hour and minute hands return to the time in the time/date mode.



Displayed Cities

The following city names are registered in this watch.

These city names are displayed in each of the time/date, travel time, alarm 1, alarm 2 and alarm 3 modes of the standard mode.

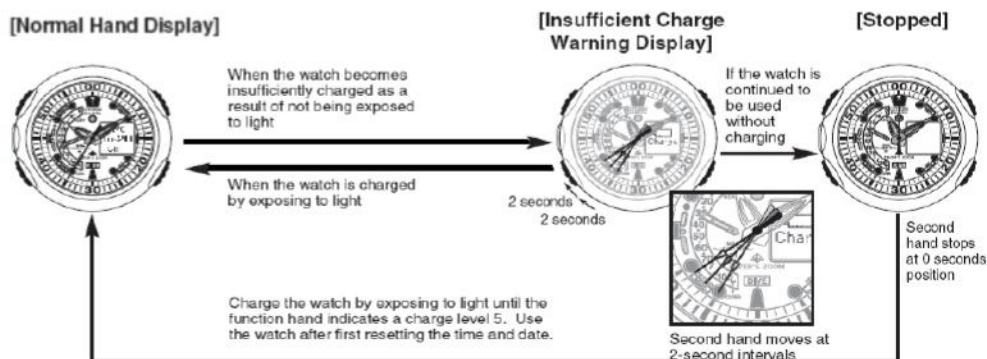
- City names are displayed moving in the direction in which the time difference increases when button (B) is pressed or city names are displayed in the direction in which the time difference decreases when button (A) is pressed when correcting the city name in each of the modes.

← When button (B) is pressed →
← When button (A) is pressed →

Watch display	City name	Time difference	Watch display	City name	Time difference
UTC	Coordinated Universal Time	±0	TYO	Tokyo	+9
LON	London	±0	SEL	Seoul	+9
PAR	Paris	+1	ADL	Adelaide	+9.5
ROM	Rome	+1	SYD	Sydney	+10
BER	Berlin	+1	NOU	Noumea	+11
MAD	Madrid	+1	AKL	Auckland	+12
CAI	Cairo	+2	SUV	Suva	+12
JNB	Johannesburg	+2	MDY	Midway	-11
ATH	Athens	+2	HNL	Honolulu	-10
MOW	Moscow	+3	ANC	Anchorage	-9
RUH	Riyadh	+3	LAX	Los Angeles	-8
THR	Teheran	+3.5	YVR	Vancouver	-8
DXB	Dubai	+4	DEN	Denver	-7
KBL	Kabul	+4.5	CHI	Chicago	-6
KHI	Karachi	+5	MEX	Mexico City	-6
DEL	Delhi	+5.5	NYC	New York	-5
DAC	Dacca	+6	YMQ	Montreal	-5
RGN	Yangon	+6.5	CCS	Caracas	-4
BKK	Bangkok	+7	RIO	Rio de Janeiro	-3
SIN	Singapore	+8	FEN	Fernando de Noronha	-2
HKG	Hong Kong	+8	PDL	Azores	-1
BJS	Beijing	+8			

Special Functions of Solar-Powered Watches

When the watch has become insufficiently charged, it changes from the normal hand display to the insufficient charge warning display (the second hand moves at 2-second intervals and "Charge" is displayed on the digital display). Recharge the watch by exposing it to light while referring to "2. General Reference for Charging Times" until the function hand indicates level 5. Use the watch after first resetting the time and date.



** For the details of others features, please refer to your details owners manual or our web site.*

CITIZEN WATCHES (H.K.) LTD.

<http://www.citizen.com.hk>

CITIZEN
BEYOND PRECISION