

ONVIFS 2014

ICANTEK SECURITY SYSTEM

Instant Audio Video from Anywhere to Anything



"Powerful" Panoramic Viewing with Panomorph Lens

Various Panoramic Viewing Mode available on NVR-Pro (Packaged VMS)

Original Video of 360° Surround View (Entire View)

e-PTZ : Pan / Tilt / Zoom Control (Move to the Region of Interest)

180° Panoramic View (Wall to Wall) (2 x 180° Views with Panning Control for ceiling mount)

Quad with 4 Viewing Screens (Same with 4 independent PTZ Cameras)

Selection of installation location : Ceiling, Wall, Ground.
 For each selection 3 different viewing types, Perimeter, PTZ, and Quad are available.
 Single [iCanView361MP-PM](#) with NVR-Pro can replace 4 Fixed cameras.

<Panomorph Lens vs. Fisheye Lens>

Number of effective pixels in Imageing for 5M Pixel Sensor		
	Panomorph Lens	Fisheye Lens
Overall	3.925 MPixels(+33%)	2.944 MPixels
Blue area	107500 Pixels(+119%)	7988 Pixels
Red area	17500 Pixels(+119%)	7988 Pixels
Yellow area	72485 Pixels(+101%)	35923 Pixels

Elliptic imaging region of panomorph lens provides 33% more pixels than conventional fisheye lens in the overall. As shown in the table, more number of effective pixels especially for perimeter area results superb image quality which is not possible with fisheye lens.

iCanView361MP New

Palm-Sized Design
 Vandal Proof IP66
 Full HD@30fps
 Edge Storage (Micro SD Card Slot)
 3-axis Camera Viewing Angle Adjustment

iCanView388MPG New
 [Metal Gray]

Discreet Mini-Turret Design
 Vandal Proof IP66
 Full HD@30fps
 Edge Storage(Micro SD Card Slot)
 Encoder Detachable

iCanView388MP New
 [Metal Gray]

Discreet Mini-Bullet Design
 Vandal Proof IP66
 Full HD@30fps
 Edge Storage(Micro SD Card Slot)
 Encoder Detachable

iCanView361MP-PM

It is exactly what you're looking for!



It can provide surveillance for broad areas like stores, warehouses, parking lots, stadiums, museum, concert halls etc.

PRODUCT LINE UP

NETWORK CAMERA

iCanView337MP/337MP5		14	iCanView346MP		33
iCanView327MP/327MP5		15	iCanView356MP		34
iCanView320MP		16	iCanView316MP		35
iCanView367MP/367MP5		17	iCanView347MP		37
iCanView360MP		18	iCanView321MPE		39
iCanView361MP		19	iCanView361MPE		40
iCanView361MP-PM		20	iCanView387MPE		41
iCanView386MP		21	iCanView321MPI		42
iCanView387MP		22	iCanView327MPI		43
iCanView389MP		23	iCanView361MPI		44
iCanView388MP		24	iCanView367MPI		45
iCanView388MPG		25	iCanView387MPI		46
iCanView391MP		26	iCanView389MPI		47
iCanView382E / E+		27	iCanSever611/612		48
iCanView372		28	iCanSever642		49
iCanView340-18S/36S		29			
iCanView350-18S/36S		30			
iCanView342-27D/33D/37D		31			









SOFTWARE

NVR-Pro		52
SOFTWARE		55

VIDEO RECORDER

myNVRxx Series		58
myNVR2xx Series		59

HD-SDI CAMERA

iCanView321SDI		64
iCanView327SDI		65
iCanView361SDI		66
iCanView367SDI		67
iCanView387SDI		68
iCanView389SDI		69
iCanView321AH		70
iCanView327AH		71

ANALOGUE CAMERA

iCanView361AH		72
iCanView367AH		73
iCanView387AH		74
iCanView389AH		75

CAMERA ACCESSORIES

		78
Bracket & Housing		
Adapter		
Keyboard		79



ICANTEK.COM

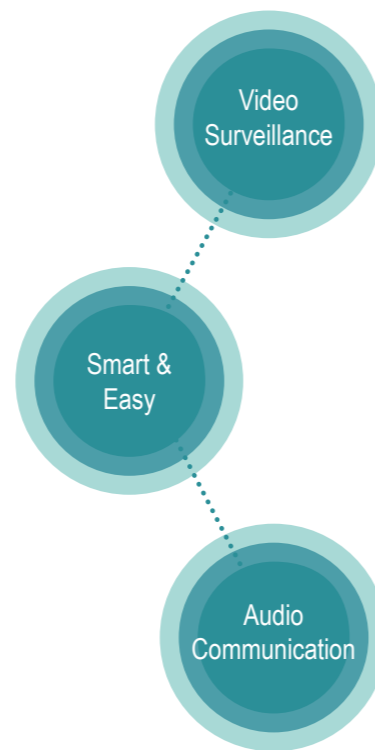
Since its foundation in 2000, we have been committed to providing our valuable customer with the highest quality products and services, making satisfied with our customers' demands.

We, iCanTek, therefore have been globally well-recognized for developing IP Camera, Video Server, Hardware NVR, NVR-Pro(VMS Software) as well as Mobile/Smart App with smart network, providing end to end total solution to fulfill all of the demands of IP surveillance industry.

With our innovative technology and high reputation, we also have been performing successful business with many globally well-known partners and we have positioned as a global leader in IP surveillance market, accumulating many experiences and having mutually good business partnership.

In addition, our professional employees are always making efforts to achieve the integration of IP total solution and to represent the superior quality products. The well-structured our network technology also makes our company more competent in the international market. Besides, by developing the Analogue cameras, we will continue to be creative and competitive in our endeavor, capturing the latest trends for our valued customers.

With all of these advantages and more, iCanTek assures you excellence in mutually profitable business and high quality products, adhering to the business concept of "Instant Audio/Video from Anywhere to Anything". Our sound structure and established trust always guarantee you satisfaction to the fullest.



Application

IP based Video Surveillance Solutions are becoming an integral part of most security projects. As the market needs HD video from video surveillance system, IP camera is virtually the only solution that can fulfill such demand with reasonable budget. Proliferation of Smart Phones and easy integration with other IP based solutions is another factor of accelerating the trends. Our IP camera products cover entire spectrum ranging from simplest to most demanding conditions.

Security and Safety in Industries

Plants, Manufacturing Facilities and Warehouse need security monitoring to protect the valuable goods and materials from thieves or to protect from potential hazardous factors. Our IP Video Surveillance Solutions are adapted by globally well-known customers who are benefitted from state-of-the art features such as :

- Multiple zone Motion Detection.
- Vivid Night Vision with Smart IR LED and TDN
- Easy Installation. Full line-up covering entire spectrum.
- Full HD Video Images
- Multi-profile Streaming (up to 5 video profiles)
- Seamless real-time connection anytime and anywhere
- Smart mobile viewer



Management and Improved Profit in Commercial Area

IP Surveillance System offers much more enhanced services over analog based CCTV system.

- Enhanced security in retail shop returns you more profit by minimizing losses caused by stolen goods
- Network based Integration with POS and EAS system for efficient business management and analysis.
- Secure access through ID & Password protects your privacy or other confidential information.
- Seamless communication through "ViewNTalk" on Smart Phone and PC enables effectively management of shops and staffs anytime anywhere.
- Alert message via E-mail and SMS enables early detection of problems and save time to cope with the problems.



Security and Safety in Institutions

Protection against vandalism, violence or sexual harassments in educational institutes.

- Monitoring the activity of your lovely child via Wired or Wireless Internet
- Increased security for students and staffs
- Prevent the potential violence and vandalism by early detection of suspects.

Any tampering to the camera, motion or unusual sound during off hours will discharge an automatic alert notification to security staff in the form of e-mail and SMS with picture enabling them to effectively evaluate the situation and take proper action against it.



Public and Governmental Application

Public safety and security.

- Public and Governmental facilities, City Halls, Fire Station, Police Stations, Courts etc
- Immigration Office and Customs Office
- University, Museums
- Transportation System (Railway, Airport, Ports)

Our network video solutions have been successfully implemented and in use in many governmental and public facilities in Korea, India, Indonesia, Iran, Thailand, Brazil etc.



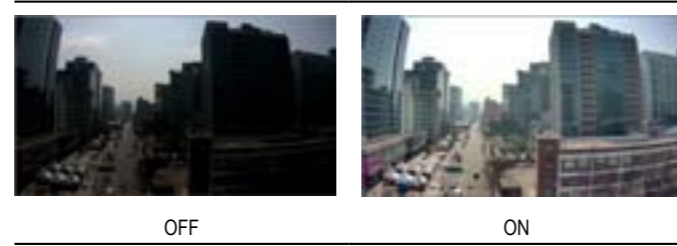
Security in Residential Area

IP Based Surveillance Solution is the most effective solutions for protecting citizens against crime and disasters.



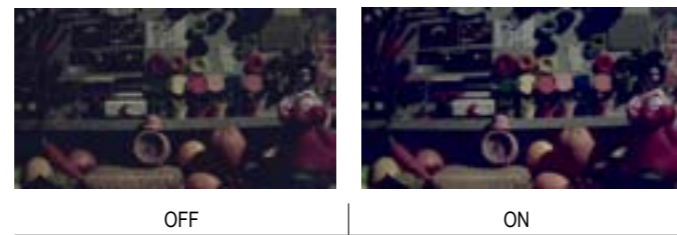
WDR

It provides clear and bright image in circumstances where back light and intense illumination can vary excessively.



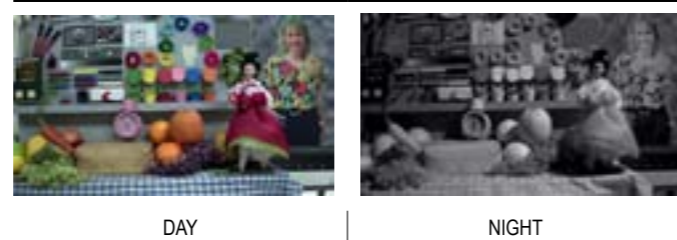
2DNR+3DNR

It provides clear images effectively removing the noise that occurs under dark circumstances.



Day & Night

It provides clear and bright image even under dark circumstances



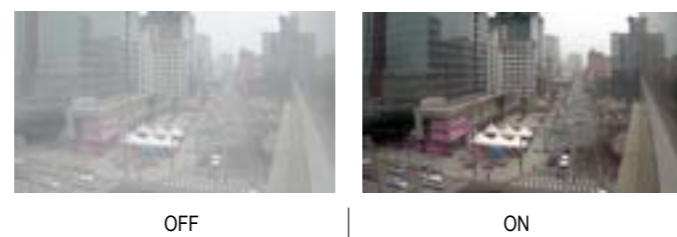
IR

The distant objects can be seen clearly even under dark circumstances.



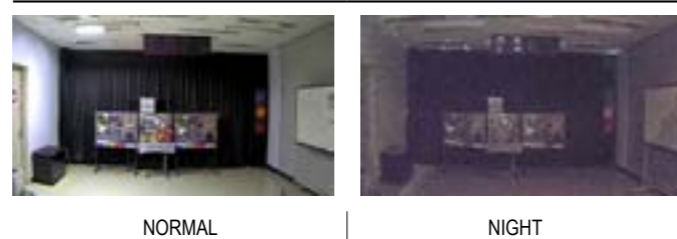
DEFOG

The objects and surrounding environment can be seen clearly even in fog.



INTENSIFIER (Sens-UP)

It can provide vivid color images without IR LED even under dark circumstances.



Optical Zoom

It can zoom-in and zoom-out reducing or enlarging the focal length of lens without degradation of image qualities.



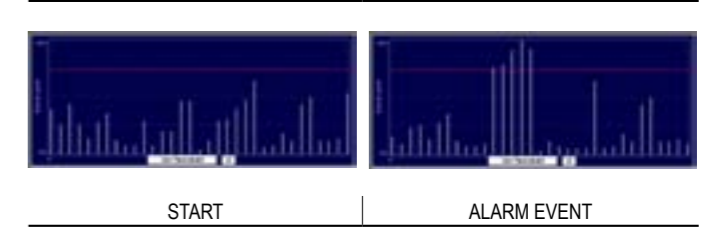
Motion Detection

It can detect moving object in a particular area and raise the alarm.



Audio Detection

It can detect sound beyond certain decibel and raise the alarm.



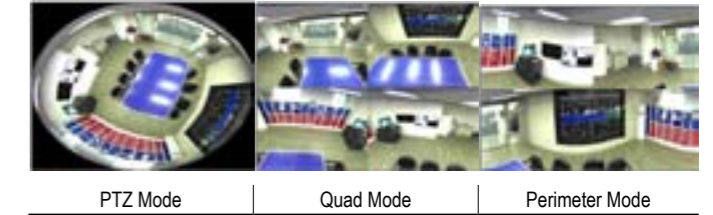
PAN/TILT/ZOOM

It provides a various degree of images which is not supported by fixed cameras through PTZ function.



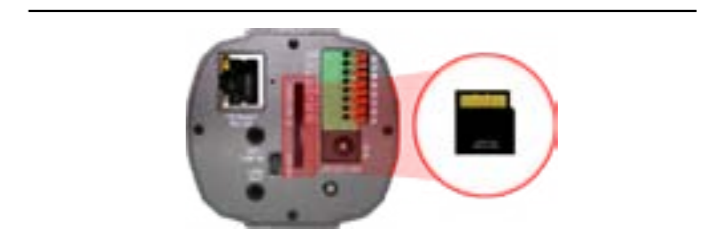
360° Panorama

It provides a 360-degree video as well as PTZ/Quad/Perimeter mode.



SD Card Slot

It can record event image such as record alarm, motion, audio, and sensor as well as general image using SD card.





iCanView388MP

Eye Level-Hole Mounted on Wall for Overview & Identification

Uniquely Designed for applying into various circumstances
meeting unusual requirements in flexibility and installation

iCanView388MPG



**NETWORK
PRODUCT**

Full HD Box Type IP Camera

iCanView337MP/337MP5



KEY FEATURES

- 2MP CMOS / 5MP CMOS
- Dual Codec (H.264 / MJPEG)
- Multi Streaming w/ Max. 5
- Digital PTZ, Cropped Video
- 2-Way Audio Communication
- Analog video output (CVBS)
- PoE / DC12V
- Full Compatible Onvif Standard

VIDEO

	iCanView337MP	iCanView337MP5
Image Sensor	1/2.9" CMOS	1/2.5" CMOS
Max. Resolution	1920x1080@30FPS	2592 x 1,944 pixels@15FPS
Scanning Mode	Progressive Scan	
Lens	Optional (C/S mount) Recommended : 4.5~10mm, F1.6	
IRIS Control	DC Auto / Manual	
Min. Illumination	Color : 0.12lux@F1.4	
S/R Ratio	50dB	
D-WDR	Supported	
Electronic Shutter Speed	Auto / Manual	
Privacy Masking	Supported	
True Day & Night	Supported	
Intelligent Video	Motion Detection, Audio Detection	

NETWORK

Video Compression	H.264 (High Profile) / MJPEG	
Multi-Video Streaming	Max. 5 (2MP, D1, CIF, Crop, Photo)	
Streaming Method	RTSP Streaming with Proprietary Format for Control Information - Standard RTSP Streaming - HTTP Streaming	
Bit Rate Control	Intelligent Hybrid Control (VBR + CBR)	
Max. Frame Rate	30fps@2MP	15fps@5MP / 30fps@2MP
2 Way-Audio	32Kbps G.726 ADPCM, 64Kbps 16bit μ -law PCM ~ MIC / Line-in 64Kbps 16bit μ -law PCM ~ Line-out	
Network Protocols	IPv4/v6, TCP, UDP, IGMP, ICMP, ICMPv6, ARP, RARP, PPPoE, RTCP, RTP, RTSP, SDP, HTTP, HTTPS, SMTP, FTP, DHCP, UPnP, NTP, DNS, DynDNS	
Security	User ID & Password Protection, IP Filtering, HTTPS, SSL Encryption, Digest Authentication, User Access Log, IEEE 802.1x	
Edge Storage	SD Card Slot	
LAN	10/100 Base T LAN (Auto MDIX)	

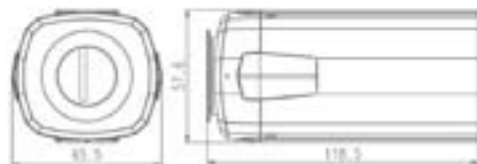
ALARM & EVENT

Trigger Event	Motion Detection, Audio Detection
Alarm I/O	1 Sensor Input & 1 Relay Output
Event Notification	E-mail (with JPEG), FTP, Push Alarm
Event Buffering (Pre & Post)	Pre-alarm : 5~15sec / Post-alarm : 10~60sec

POWER & ENVIRONMENTAL

Power Source	12VDC, PoE (IEEE802. 3af)
Power Consumption	12W (12V, 1A)
Operating Temperature & Humidity	0°C~45°C (32~113°F) / 8~80% RH
Outdoor Usage Certificate	-
Approval	CE, FCC, RoHS

DIMENSIONS



Full HD IR Dome Type IP Camera

iCanView327MP/327MP5



KEY FEATURES

- 2MP CMOS / 5MP CMOS
- Dual Codec (H.264 / MJPEG)
- Multi Streaming w/ Max. 5
- Digital PTZ, Cropped Video
- 2-Way Audio Communication
- Analog video output (CVBS)
- Built-in D/N (TDN)
- PoE / DC12V
- Full Compatible Onvif Standard

VIDEO

	iCanView327MP	iCanView327MP5
Image Sensor	1/2.9" CMOS	1/2.5" CMOS
Max. Resolution	1920x1080@30FPS	2592 x 1944 pixels@15FPS
Scanning Mode	Progressive Scan	
Lens	3.6~16mm	
IRIS Control	DC Auto / Manual	
Min. Illumination	Color : 0.12lux@F1.4 / BW : 0lux with IR ON	
S/R Ratio	50dB	
D-WDR	Supported	
Electronic Shutter Speed	Auto / Manual	
Privacy Masking	Supported	
True Day & Night	Supported	
IR Distance	15M	
Intelligent Video	Motion Detection, Audio Detection	

NETWORK

Video Compression	H.264 (High Profile) / MJPEG	
Multi-Video Streaming	Max. 5 (2MP, D1, CIF, Crop, Photo)	
Streaming Method	RTSP Streaming with Proprietary Format for Control Information - Standard RTSP Streaming - HTTP Streaming	
Bit Rate Control	Intelligent Hybrid Control (VBR + CBR)	
Max. Frame Rate	30fps@2MP	15fps@5MP / 30fps@2MP
2 Way-Audio	32Kbps G.726 ADPCM, 64Kbps 16bit μ -law PCM ~ MIC / Line-in 64Kbps 16bit μ -law PCM ~ Line-out	
Network Protocols	IPv4/v6, TCP, UDP, IGMP, ICMP, ICMPv6, ARP, RARP, PPPoE, RTCP, RTP, RTSP, SDP, HTTP, HTTPS, SMTP, FTP, DHCP, UPnP, NTP, DNS, DynDNS	
Security	User ID & Password Protection, IP Filtering, HTTPS, SSL Encryption, Digest Authentication, User Access Log, IEEE 802.1x	
Edge Storage	SD Card Slot	
LAN	10/100 Base T LAN (Auto MDIX)	

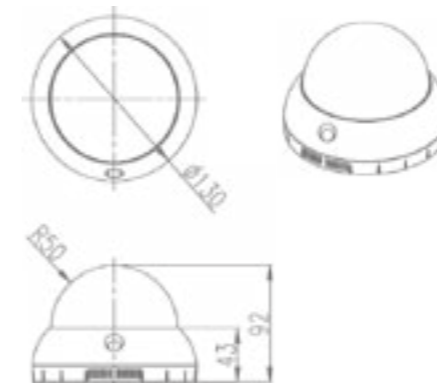
ALARM & EVENT

Trigger Event	Motion Detection, Audio Detection
Alarm I/O	1 Sensor Input & 1 Relay Output
Event Notification	E-mail (with JPEG), FTP, Push Alarm
Event Buffering (Pre & Post)	Pre-alarm : 5~15sec / Post-alarm : 10~60sec

POWER & ENVIRONMENTAL

Power Source	12VDC, PoE (IEEE802. 3af)
Power Consumption	12W (12V, 1A)
Operating Temperature & Humidity	0°C~45°C (32~113°F) / 8~80% RH
Outdoor Usage Certificate	-
Approval	CE, FCC, RoHS

DIMENSIONS



Full HD IR Mini-Eyeball Type IP Camera iCanView320MP



KEY FEATURES

- 2MP CMOS
- Dual Codec (H.264 / MJPEG)
- Multi Streaming w/ Max. 3
- Digital PTZ, Cropped Video
- 2-Way Audio Communication
- Edge Storage in micro SD Card
- PoE / DC12V
- Full Compatible Onvif Standard

VIDEO

	iCanView320MP
Image Sensor	1/2.9" CMOS
Max. Resolution	1920x1080@30FPS
Scanning Mode	Progressive Scan
Lens	3.7mm, F2.5
IRIS Control	DC Auto / Manual
Min. Illumination	Color : 0.12lux@F1.4 / BW : 0lux with IR ON
S/R Ratio	50dB
D-WDR	Supported
Electronic Shutter Speed	Auto / Manual
Privacy Masking	Supported
True Day & Night	Supported
IR Distance	15M
Intelligent Video	Motion Detection, Audio Detection

NETWORK

Video Compression	H.264 (High Profile) / MJPEG
Multi-Video Streaming	Max. 3 (2MP, D1, CIF)
Streaming Method	RTSP Streaming with Proprietary Format for Control Information - Standard RTSP Streaming - HTTP Streaming
Bit Rate Control	Intelligent Hybrid Control (VBR + CBR)
Max. Frame Rate	30fps@2MP
2 Way-Audio	32Kbps G.726 ADPCM, 64Kbps 16bit μ -law PCM ~ MIC / Line-in 64Kbps 16bit μ -law PCM ~ Line-out
Network Protocols	IPv4/v6, TCP, UDP, IGMP, ICMP, ICMPv6, ARP, RARP, PPPoE, RTCP, RTP, RTSP, SDP, HTTP, HTTPS, SMTP, FTP, DHCP, UPnP, NTP, DNS, DynDNS, SOCKS
Security	User ID & Password Protection, IP Filtering, HTTPS, SSL Encryption, Digest Authentication, User Access Log, IEEE 802.1x
Edge Storage	Micro SD Card Slot
LAN	10/100 Base T LAN (Auto MDIX)

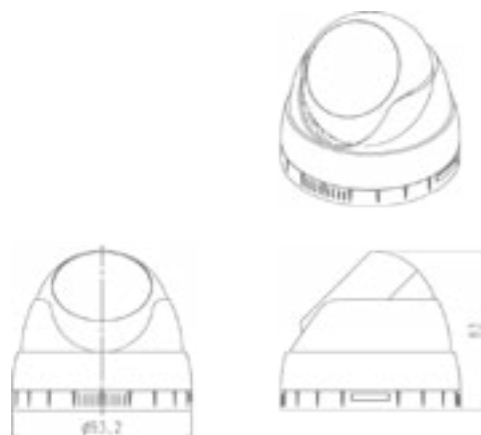
ALARM & EVENT

Trigger Event	Motion Detection, Audio Detection
Alarm I/O	1 Sensor Input & 1 Relay Output
Event Notification	E-mail (with JPEG), FTP, Push Alarm
Event Buffering (Pre & Post)	Pre-alarm : 5~15sec / Post-alarm : 10~60sec

POWER & ENVIRONMENTAL

Power Source	12VDC, PoE (IEEE802.3af)
Power Consumption	12W (12V, 1A)
Operating Temperature & Humidity	0°C~ 45°C (32~113°F) / 8~80% RH
Outdoor Usage Certificate	-
Approval	CE, FCC, RoHS

DIMENSIONS



Full HD Vandal-Resistant IR Dome Type IP Camera iCanView367MP/367MP5



KEY FEATURES

- 2MP CMOS / 5MP CMOS
- Dual Codec (H.264 / MJPEG)
- Multi Streaming w/ Max. 5
- Digital PTZ, Cropped Video
- 2-Way Audio Communication
- Analog video output (CVBS)
- PoE / DC12V
- Built-in D/N (TDN)
- Full Compatible Onvif Standard

VIDEO

	iCanView367MP	iCanView367MP5
Image Sensor	1/2.9" CMOS	1/2.5" CMOS
Max. Resolution	1920x1080@30FPS	2592 x 1944 pixels@15FPS
Scanning Mode	Progressive Scan	
Lens	3.6~16mm	
IRIS Control	DC Auto / Manual	
Min. Illumination	Color : 0.12lux@F1.4 / BW : 0lux with IR ON	
S/R Ratio	50dB	
D-WDR	Supported	
Electronic Shutter Speed	Auto / Manual	
Privacy Masking	Supported	
True Day & Night	Supported	
IR Distance	15M	
Intelligent Video	Motion Detection, Audio Detection	

NETWORK

Video Compression	H.264(High Profile) / MJPEG	
Multi-Video Streaming	Max. 5 (2MP, D1, CIF, Crop, Photo)	
Streaming Method	RTSP Streaming with Proprietary Format for Control Information - Standard RTSP Streaming - HTTP Streaming	
Bit Rate Control	Intelligent Hybrid Control (VBR + CBR)	
Max. Frame Rate	30fps@2MP	10fps@5MP / 30fps@2MP
2 Way-Audio	32Kbps G.726 ADPCM, 64Kbps 16bit μ -law PCM ~ MIC / Line-in 64Kbps 16bit μ -law PCM ~ Line-out	
Network Protocols	IPv4/v6, TCP, UDP, IGMP, ICMP, ICMPv6, ARP, RARP, PPPoE, RTCP, RTP, RTSP, SDP, HTTP, HTTPS, SMTP, FTP, DHCP, UPnP, NTP, DNS, DynDNS	
Security	User ID & Password Protection, IP Filtering, HTTPS, SSL Encryption, Digest Authentication, User Access Log, IEEE 802.1x	
Edge Storage	Micro SD Card Slot	
LAN	10/100 Base T LAN (Auto MDIX)	

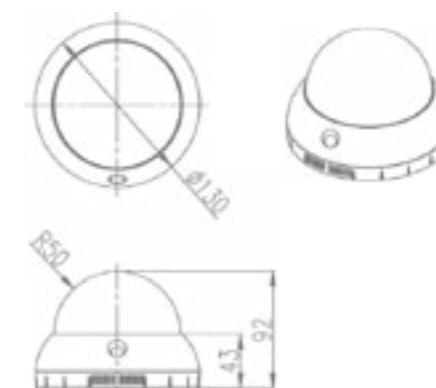
ALARM & EVENT

Trigger Event	Motion Detection, Audio Detection
Alarm I/O	1 Sensor Input & 1 Relay Output
Event Notification	E-mail (with JPEG), FTP, Push Alarm
Event Buffering (Pre & Post)	Pre-alarm : 5~15sec / Post-alarm : 10~60sec

POWER & ENVIRONMENTAL

Power Source	12VDC, PoE (IEEE802.3af)
Power Consumption	12W (12V, 1A)
Operating Temperature & Humidity	0°C~ 45°C (32 ~113°F) / 8 ~ 80% RH
Outdoor Usage Certificate	IP 66 & Vandal-Proof Casing
Approval	CE, FCC, RoHS

DIMENSIONS



Full HD Vandal-Resistant IR
Mini-Eyeball Type Dome Camera
iCanView360MP



KEY FEATURES

- 2MP CMOS
- Dual Codec (H.264 / MJPEG)
- Multi Streaming w/ Max. 3
- Digital PTZ, Cropped Video
- 2-Way Audio Communication
- Edge Storage in micro SD Card
- PoE / DC12V
- Full Compatible Onvif Standard

VIDEO

	iCanView360MP
Image Sensor	1/2.9" CMOS
Max. Resolution	1920x1080@30FPS
Scanning Mode	Progressive Scan
Lens	3.7mm, F2.5
IRIS Control	DC Auto / Manual
Min. Illumination	Color : 0.12lux@F1.4 / BW : 0lux with IR ON
S/R Ratio	50dB
D-WDR	Supported
Electronic Shutter Speed	Auto / Manual
Privacy Masking	Supported
True Day & Night	Supported
IR Distance	15M
Intelligent Video	Motion Detection, Audio Detection

NETWORK

Video Compression	H.264 (High Profile) / MJPEG
Multi-Video Streaming	Max. 3 (2MP, D1, CIF)
Streaming Method	RTSP Streaming with Proprietary Format for Control Information - Standard RTSP Streaming - HTTP Streaming
Bit Rate Control	Intelligent Hybrid Control (VBR + CBR)
Max. Frame Rate	30fps@2MP
2 Way-Audio	32Kbps G.726 ADPCM, 64Kbps 16bit μ -law PCM ~ MIC / Line-in 64Kbps 16bit μ -law PCM ~ Line-out
Network Protocols	IPv4/v6, TCP, UDP, IGMP, ICMP, ICMPv6, ARP, RARP, PPPoE, RTCP, RTP, RTSP, SDP, HTTP, HTTPS, SMTP, FTP, DHCP, UPnP, NTP, DNS, DynDNS
Security	User ID & Password Protection, IP Filtering, HTTPS, SSL Encryption, Digest Authentication, User Access Log, IEEE 802.1x
Edge Storage	Micro SD Card Slot
LAN	10/100 Base T LAN (Auto MDIX)

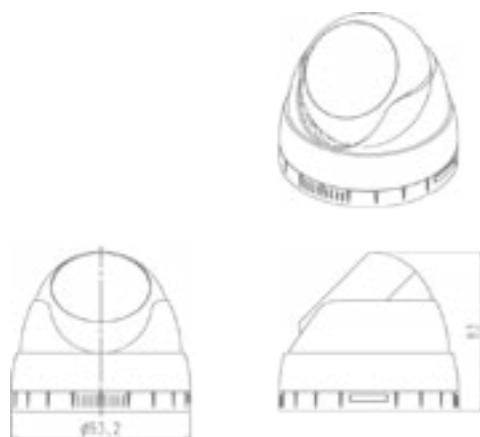
ALARM & EVENT

Trigger Event	Motion Detection, Audio Detection
Alarm I/O	1 Sensor Input & 1 Relay Output
Event Notification	E-mail (with JPEG), FTP
Event Buffering (Pre & Post)	Pre-alarm : 5~15sec / Post-alarm : 10~60sec

POWER & ENVIRONMENTAL

Power Source	12VDC, PoE (IEEE802. 3af)
Power Consumption	12W (12V, 1A)
Operating Temperature & Humidity	0~45°C (32~113°F) / 8~80% RH
Outdoor Usage Certificate	IP 66
Approval	CE, FCC, RoHS

DIMENSIONS



Full HD Vandal-Resistant IR
PanCake Type IP Camera
iCanView361MP



KEY FEATURES

- 2MP CMOS
- Dual Codec (H.264 / MJPEG)
- Multi Streaming w/ Max. 5
- Digital PTZ, Cropped Video
- 2-Way Audio Communication
- Analog video output (CVBS)
- PoE / DC12V
- Built-in D/N (TDN)
- Full Compatible Onvif Standard

VIDEO

	iCanView361MP
Image Sensor	1/2.9" CMOS
Max. Resolution	1920x1080@30FPS
Scanning Mode	Progressive Scan
Lens	3.7mm, F2.5
IRIS Control	DC Auto / Manual
Min. Illumination	Color : 0.12lux@F1.4 / BW : 0lux with IR ON
S/R Ratio	50dB
D-WDR	Supported
Electronic Shutter Speed	Auto / Manual
Privacy Masking	Supported
True Day & Night	Supported
IR Distance	12M
Intelligent Video	Motion Detection, Audio Detection

NETWORK

Video Compression	H.264(High Profile) / MJPEG
Multi-Video Streaming	Max. 5 (2MP, D1, CIF, Crop, Photo)
Streaming Method	RTSP Streaming with Proprietary Format for Control Information - Standard RTSP Streaming - HTTP Streaming
Bit Rate Control	Intelligent Hybrid Control (VBR + CBR)
Max. Frame Rate	30fps@2MP
2 Way-Audio	32Kbps G.726 ADPCM, 64Kbps 16bit μ -law PCM ~ MIC / Line-in 64Kbps 16bit μ -law PCM ~ Line-out
Network Protocols	IPv4/v6, TCP, UDP, IGMP, ICMP, ICMPv6, ARP, RARP, PPPoE, RTCP, RTP, RTSP, SDP, HTTP, HTTPS, SMTP, FTP, DHCP, UPnP, NTP, DNS, DynDNS
Security	User ID & Password Protection, IP Filtering, HTTPS, SSL Encryption, Digest Authentication, User Access Log, IEEE 802.1x
Edge Storage	Micro SD Card Slot
LAN	10/100 Base T LAN (Auto MDIX)

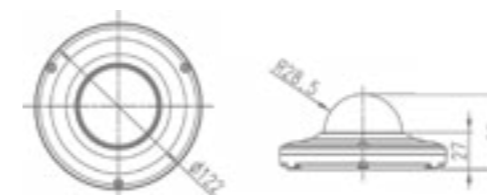
ALARM & EVENT

Trigger Event	Motion Detection, Audio Detection
Alarm I/O	1 Sensor Input & 1 Relay Output
Event Notification	E-mail (with JPEG), FTP, Push Alarm
Event Buffering (Pre & Post)	Pre-alarm : 5~15sec / Post-alarm : 10~60sec

POWER & ENVIRONMENTAL

Power Source	12VDC, PoE (IEEE802. 3af)
Power Consumption	12W (12V, 1A)
Operating Temperature & Humidity	0°C~ 45°C (32 ~113°F) / 8 ~ 80% RH
Outdoor Usage Certificate	IP 66
Approval	CE, FCC, RoHS

DIMENSIONS



Full HD Vandal-Resistant 360° Panoramic
PanCake Type IP Camera

iCanView361MP-PM



KEY FEATURES

- 5 MPixel (2592x1944, 10 fps)
Panoramic w/ Dual Codec
(H.264 / MJPEG)
- Panomorph lens (Immersion)
- 33% more pixels than fisheye lens
- Panoramic viewing features
- 360° field of view (ceiling mount)
- 180° field of view (wall mount)
- PTZ, Quad and Perimeter views
- Multi Streaming w/ Max. 5
- Digital PTZ, Cropped Video
- 2-Way Audio Communication
- Analog video output (CVBS)
- PoE / DC12V
- Built-in D/N (TDN)
- Full Compatible Onvif Standard

VIDEO

iCanView361MP-PM	
Image Sensor	1/2.5" CMOS
Max. Resolution	2592x1944pixels@10FPS
Scanning Mode	Progressive Scan
Lens	0.98~1.12mm Panomorph
IRIS Control	DC Auto / Manual
Min. Illumination	Color : 0.12 lux (F 1.4)
S/R Ratio	50dB
D-WDR	Supported
Electronic Shutter Speed	Auto / Manual
Privacy Masking	Supported
True Day & Night	Supported
IR Distance	-
Intelligent Video	Motion Detection, Audio Detection

NETWORK

Video Compression	H.264 (High Profile) / MJPEG
Multi-Video Streaming	Max. 5 (2MP, D1, CIF, Crop, Photo)
Streaming Method	RTSP Streaming with Proprietary Format for Control Information - Standard RTSP Streaming - HTTP Streaming
Bit Rate Control	Intelligent Hybrid Control (VBR + CBR)
Max. Frame Rate	10fps@5MP
2 Way-Audio	32Kbps G.726 ADPCM, 64Kbps 16bit μ -law PCM ~ MIC / Line-in 64Kbps 16bit μ -law PCM ~ Line-out
Network Protocols	IPv4/v6, TCP, UDP, IGMP, ICMP, ICMPv6, ARP, RARP, PPPoE, RTCP, RTP, RTSP, SDP, HTTP, HTTPS, SMTP, FTP, DHCP, UPnP, NTP, DNS, DynDNS
Security	User ID & Password Protection, IP Filtering, HTTPS, SSL Encryption, Digest Authentication, User Access Log, IEEE 802.1x
Edge Storage	Micro SD Card Slot
LAN	10/100 Base T LAN (Auto MDIX)

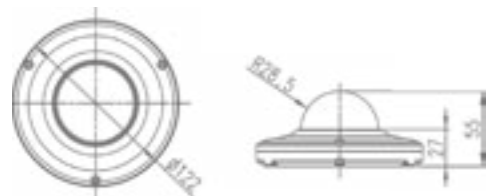
ALARM & EVENT

Trigger Event	Motion Detection, Audio Detection
Alarm I/O	1 Sensor Input & 1 Relay Output
Event Notification	E-mail (with JPEG), FTP
Event Buffering (Pre & Post)	Pre-alarm : 5~15sec / Post-alarm : 10~60sec

POWER & ENVIRONMENTAL

Power Source	12VDC, PoE (IEEE802. 3af)
Power Consumption	12W (12V, 1A)
Operating Temperature & Humidity	0°C~45°C (32~113°F) / 8~80% RH
Outdoor Usage Certificate	IP 66 & Vandal-Proof Casing
Approval	CE, FCC, RoHS

DIMENSIONS



Full HD Vandal-Resistant IR
Bullet Type IP Camera

iCanView386MP



KEY FEATURES

- 2MP CMOS
- Dual Codec (H.264 / MJPEG)
- Multi Streaming w/ Max. 5
- Digital PTZ, Cropped Video
- 2-Way Audio Communication
- Edge Storage in micro SD Card
- PoE / DC12V
- Built-in D/N (TDN)
- IP67
- Full Compatible Onvif Standard

VIDEO

iCanView386MP	
Image Sensor	1/2.9" CMOS
Max. Resolution	1920x1080@30FPS
Scanning Mode	Progressive Scan
Lens	3.5~16mm
IRIS Control	DC Auto / Manual
Min. Illumination	Color : 0.12lux@F1.4 / BW : 0lux with IR ON
S/R Ratio	50dB
D-WDR	Supported
Electronic Shutter Speed	Auto / Manual
Privacy Masking	Supported
True Day & Night	Supported
IR Distance	25M
Intelligent Video	Motion Detection, Audio Detection

NETWORK

Video Compression	H.264(High Profile) / MJPEG
Multi-Video Streaming	Max. 5 (2MP, D1, CIF, Crop, Photo)
Streaming Method	RTSP Streaming with Proprietary Format for Control Information - Standard RTSP Streaming - HTTP Streaming
Bit Rate Control	Intelligent Hybrid Control (VBR + CBR)
Max. Frame Rate	30fps@2MP
2 Way-Audio	32Kbps G.726 ADPCM, 64Kbps 16bit μ -law PCM ~ MIC / Line-in 64Kbps 16bit μ -law PCM ~ Line-out
Network Protocols	IPv4/v6, TCP, UDP, IGMP, ICMP, ICMPv6, ARP, RARP, PPPoE, RTCP, RTP, RTSP, SDP, HTTP, HTTPS, SMTP, FTP, DHCP, UPnP, NTP, DNS, DynDNS
Security	User ID & Password Protection, IP Filtering, HTTPS, SSL Encryption, Digest Authentication, User Access Log, IEEE 802.1x
Edge Storage	Micro SD Card Slot
LAN	10/100 Base T LAN (Auto MDIX)

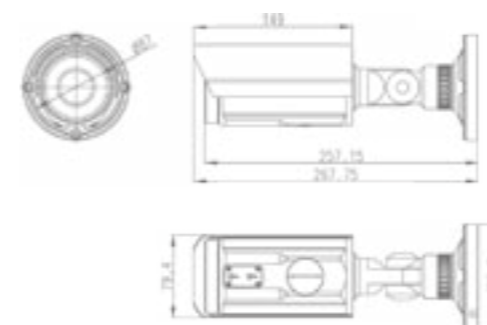
ALARM & EVENT

Trigger Event	Motion Detection, Audio Detection
Alarm I/O	1 Sensor Input & 1 Relay Output
Event Notification	E-mail (with JPEG), FTP
Event Buffering (Pre & Post)	Pre-alarm : 5~15sec / Post-alarm : 10~60sec

POWER & ENVIRONMENTAL

Power Source	12VDC, PoE (IEEE802. 3af)
Power Consumption	12W (12V, 1A)
Operating Temperature & Humidity	0°C~ 45°C (32~113°F) / 8~80% RH
Outdoor Usage Certificate	IP 67
Approval	CE, FCC, RoHS

DIMENSIONS



Full HD Vandal-Resistant IR Mini
Bullet Type IP Camera
iCanView387MP



KEY FEATURES

- 2MP CMOS
- Dual Codec (H.264 / MJPEG)
- Multi Streaming w/ Max. 5
- Digital PTZ, Cropped Video
- 2-Way Audio Communication
- Edge Storage in micro SD Card
- PoE / DC12V
- Built-in D/N (TDN)
- IP67
- Full Compatible Onvif Standard

VIDEO

	iCanView387MP
Image Sensor	1/2.9" CMOS
Max. Resolution	1920x1080@30FPS
Scanning Mode	Progressive Scan
Lens	3.7mm, F2.5
IRIS Control	DC Auto / Manual
Min. Illumination	Color : 0.12lux@F1.4 / BW : 0lux with IR ON
S/R Ratio	50dB
D-WDR	Supported
Electronic Shutter Speed	Auto / Manual
Privacy Masking	Supported
True Day & Night	Supported
IR Distance	25M
Intelligent Video	Motion Detection, Audio Detection

NETWORK

Video Compression	H.264 (High Profile) / MJPEG
Multi-Video Streaming	Max. 5 (2MP, D1, CIF, Crop, Photo)
Streaming Method	RTSP Streaming with Proprietary Format for Control Information - Standard RTSP Streaming - HTTP Streaming
Bit Rate Control	Intelligent Hybrid Control (VBR + CBR)
Max. Frame Rate	30fps@2MP
2 Way-Audio	32Kbps G.726 ADPCM, 64Kbps 16bit μ -law PCM ~ MIC / Line-in 64Kbps 16bit μ -law PCM ~ Line-out
Network Protocols	IPv4/v6, TCP, UDP, IGMP, ICMP, ICMPv6, ARP, RARP, PPPoE, RTCP, RTP, RTSP, SDP, HTTP, HTTPS, SMTP, FTP, DHCP, UPnP, NTP, DNS, DynDNS
Security	User ID & Password Protection, IP Filtering, HTTPS, SSL Encryption, Digest Authentication, User Access Log, IEEE 802.1x
Edge Storage	Micro SD Card Slot
LAN	10/100 Base T LAN (Auto MDIX)

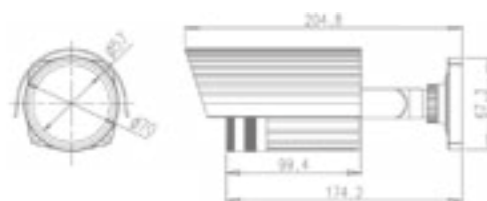
ALARM & EVENT

Trigger Event	Motion Detection, Audio Detection
Alarm I/O	1 Sensor Input & 1 Relay Output
Event Notification	E-mail (with JPEG), FTP
Event Buffering (Pre & Post)	Pre-alarm : 5~15sec / Post-alarm : 10~60sec

POWER & ENVIRONMENTAL

Power Source	12VDC, PoE (IEEE802. 3af)
Power Consumption	12W (12V, 1A)
Operating Temperature & Humidity	0°C~45°C (32°F ~113°F) / 8~80% RH
Outdoor Usage Certificate	IP 66
Approval	CE, FCC, RoHS

DIMENSIONS



Full HD Vandal-Resistant IR
Bullet Type IP Camera
iCanView389MP



KEY FEATURES

- 2MP CMOS
- Dual Codec (H.264 / MJPEG)
- Multi Streaming w/ Max. 5
- Digital PTZ, Cropped Video
- 2-Way Audio Communication
- Edge Storage in micro SD Card
- PoE / DC12V
- Built-in D/N (TDN)
- IP67
- Full Compatible Onvif Standard

VIDEO

	iCanView389MP
Image Sensor	1/2.9" CMOS
Max. Resolution	1920x1080@30FPS
Scanning Mode	Progressive Scan
Lens	3.5~16mm (5~50mm : optional)
IRIS Control	DC Auto / Manual
Min. Illumination	Color : 0.12lux@F1.4 / BW : 0lux with IR ON
S/R Ratio	50dB
D-WDR	Supported
Electronic Shutter Speed	Auto / Manual
Privacy Masking	Supported
True Day & Night	Supported
IR Distance	25M
Intelligent Video	Motion Detection, Audio Detection

NETWORK

Video Compression	H.264 (High Profile) / MJPEG
Multi-Video Streaming	Max. 5 (2MP, D1, CIF, Crop, Photo)
Streaming Method	RTSP Streaming with Proprietary Format for Control Information - Standard RTSP Streaming - HTTP Streaming
Bit Rate Control	Intelligent Hybrid Control (VBR + CBR)
Max. Frame Rate	30fps@2MP
2 Way-Audio	32Kbps G.726 ADPCM, 64Kbps 16bit μ -law PCM ~ MIC / Line-in 64Kbps 16bit μ -law PCM ~ Line-out
Network Protocols	IPv4/v6, TCP, UDP, IGMP, ICMP, ICMPv6, ARP, RARP, PPPoE, RTCP, RTP, RTSP, SDP, HTTP, HTTPS, SMTP, FTP, DHCP, UPnP, NTP, DNS, DynDNS
Security	User ID & Password Protection, IP Filtering, HTTPS, SSL Encryption, Digest Authentication, User Access Log, IEEE 802.1x
Edge Storage	Micro SD Card Slot
LAN	10/100 Base T LAN (Auto MDIX)

ALARM & EVENT

Trigger Event	Motion Detection, Audio Detection
Alarm I/O	1 Sensor Input & 1 Relay Output
Event Notification	E-mail (with JPEG), FTP
Event Buffering (Pre & Post)	Pre-alarm : 5~15sec / Post-alarm : 10~60sec

POWER & ENVIRONMENTAL

Power Source	12VDC, PoE (IEEE802. 3af)
Power Consumption	12W (12V, 1A)
Operating Temperature & Humidity	0°C~45°C (32° ~113°F) / 8~80% RH
Outdoor Usage Certificate	IP 67
Approval	CE, FCC, RoHS

DIMENSIONS

TBD

Full HD Vandal-Resistant Mini Spy
Bullet Type IP Camera
iCanView388MP



KEY FEATURES

- 2MP CMOS
- Dual Codec (H.264 / MJPEG)
- Multi Streaming w/ Max. 5
- Digital PTZ, Cropped Video
- 2-Way Audio Communication
- Analog video output (CVBS)
- Edge Storage in micro SD Card
- PoE / DC12V
- Full Compatible Onvif Standard

VIDEO

	iCanView388MP
Image Sensor	1/2.7" CMOS
Max. Resolution	1920x1080@30FPS
Scanning Mode	Progressive Scan
Lens	3.7mm, F2.5
IRIS Control	DC Auto / Manual
Min. Illumination	Color : 0.12lux@F1.4
S/R Ratio	50dB
D-WDR	Supported
Electronic Shutter Speed	Auto / Manual
Privacy Masking	Supported
True Day & Night	Supported
IR Distance	-
Intelligent Video	Motion Detection, Audio Detection

NETWORK

Video Compression	H.264(High Profile) / MJPEG
Multi-Video Streaming	Max. 5 (2MP, D1, CIF, Crop, Photo)
Streaming Method	RTSP Streaming with Proprietary Format for Control Information - Standard RTSP Streaming - HTTP Streaming
Bit Rate Control	Intelligent Hybrid Control (VBR + CBR)
Max. Frame Rate	30fps@2MP
2 Way-Audio	32Kbps G.726 ADPCM, 64Kbps 16bit μ -law PCM ~ MIC / Line-in 64Kbps 16bit μ -law PCM ~ Line-out
Network Protocols	IPv4/v6, TCP, UDP, IGMP, ICMP, ICMPv6, ARP, RARP, PPPoE, RTCP, RTP, RTSP, SDP, HTTP, HTTPS, SMTP, FTP, DHCP, UPnP, NTP, DNS, DynDNS
Security	User ID & Password Protection, IP Filtering, HTTPS, SSL Encryption, Digest Authentication, User Access Log, IEEE 802.1x
Edge Storage	Micro SD Card Slot
LAN	10/100 Base T LAN (Auto MDIX)

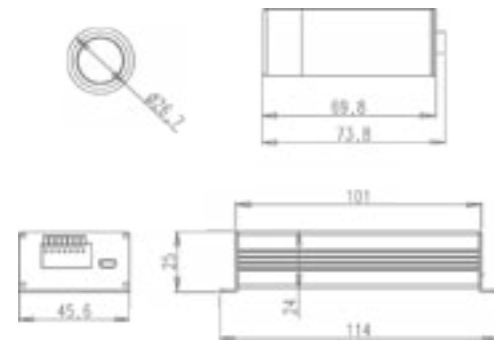
ALARM & EVENT

Trigger Event	Motion Detection, Audio Detection
Alarm I/O	1 Sensor Input & 1 Relay Output
Event Notification	E-mail (with JPEG), FTP, Relay Output
Event Buffering (Pre & Post)	Pre-alarm : 5~15sec / Post-alarm : 10~60sec

POWER & ENVIRONMENTAL

Power Source	12VDC, PoE (IEEE802.3af)
Power Consumption	12W (12V, 1A)
Operating Temperature & Humidity	0°C~45°C (32~113°F) / 8~80% RH
Outdoor Usage Certificate	IP 66
Approval	CE, FCC, RoHS

DIMENSIONS



Full HD Vandal-Resistant Mini Spy
Golf Ball Type IP Camera
iCanView388MPG



KEY FEATURES

- 2MP CMOS
- Dual Codec (H.264 / MJPEG)
- Multi Streaming w/ Max. 5
- Digital PTZ, Cropped Video
- 2-Way Audio Communication
- Analog video output (CVBS)
- Edge Storage in micro SD Card
- PoE / DC12V
- Full Compatible Onvif Standard

VIDEO

	iCanView388MPG
Image Sensor	1/2.7" CMOS
Max. Resolution	1920x1080@30FPS
Scanning Mode	Progressive Scan
Lens	3.7mm, F2.5
IRIS Control	DC Auto / Manual
Min. Illumination	Color : 0.12lux@F1.4
S/R Ratio	50dB
D-WDR	Supported
Electronic Shutter Speed	Auto / Manual
Privacy Masking	Supported
True Day & Night	Supported
IR Distance	-
Intelligent Video	Motion Detection, Audio Detection

NETWORK

Video Compression	H.264 (High Profile) / MJPEG
Multi-Video Streaming	Max. 5 (2MP, D1, CIF, Crop, Photo)
Streaming Method	RTSP Streaming with Proprietary Format for Control Information - Standard RTSP Streaming - HTTP Streaming
Bit Rate Control	Intelligent Hybrid Control (VBR + CBR)
Max. Frame Rate	30fps@2MP
2 Way-Audio	32Kbps G.726 ADPCM, 64Kbps 16bit μ -law PCM ~ MIC / Line-in 64Kbps 16bit μ -law PCM ~ Line-out
Network Protocols	IPv4/v6, TCP, UDP, IGMP, ICMP, ICMPv6, ARP, RARP, PPPoE, RTCP, RTP, RTSP, SDP, HTTP, HTTPS, SMTP, FTP, DHCP, UPnP, NTP, DNS, DynDNS
Security	User ID & Password Protection, IP Filtering, HTTPS, SSL Encryption, Digest Authentication, User Access Log, IEEE 802.1x
Edge Storage	Micro SD Card Slot
LAN	10/100 Base T LAN (Auto MDIX)

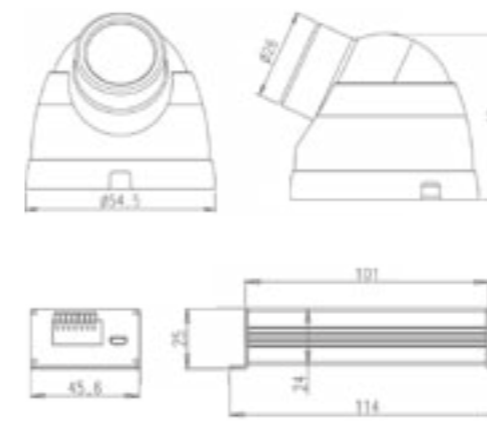
ALARM & EVENT

Trigger Event	Motion Detection, Audio Detection
Alarm I/O	1 Sensor Input & 1 Relay Output
Event Notification	E-mail (with JPEG), FTP, Relay Output
Event Buffering (Pre & Post)	Pre-alarm : 5~15sec / Post-alarm : 10~60sec

POWER & ENVIRONMENTAL

Power Source	12VDC, PoE (IEEE802.3af)
Power Consumption	12W (12V, 1A)
Operating Temperature & Humidity	0°C~45°C (32~113°F) / 8~80% RH
Outdoor Usage Certificate	IP 66
Approval	CE, FCC, RoHS

DIMENSIONS



Full HD IR Cube Type IP Camera iCanView391MP



KEY FEATURES

- 2MP CMOS
- Dual Codec (H.264 / MJPEG)
- Multi Streaming w/ Max. 3
- Digital PTZ, Cropped Video
- 2-Way Audio Communication
- Microphone & Speaker Embedded
- PoE / DC12V
- Full Compatible Onvif Standard

VIDEO

	iCanView391MP
Image Sensor	1/2.7" CMOS
Max. Resolution	1920x1080@30FPS
Scanning Mode	Progressive Scan
Lens	3.7mm, F2.5
IRIS Control	DC Auto / Manual
Min. Illumination	Color : 0.12lux@F1.4 / BW : 0lux with IR ON
S/R Ratio	50dB
D-WDR	Supported
Electronic Shutter Speed	Auto / Manual
Privacy Masking	Supported
True Day & Night	Supported
IR Distance	12M
Intelligent Video	Motion Detection, Audio Detection

NETWORK

Video Compression	H.264 (High Profile) / MJPEG
Multi-Video Streaming	Max. 5 (2MP, D1, CIF, Crop, Photo)
Streaming Method	RTSP Streaming with Proprietary Format for Control Information - Standard RTSP Streaming - HTTP Streaming
Bit Rate Control	Intelligent Hybrid Control (VBR + CBR)
Max. Frame Rate	30fps@2MP
2 Way-Audio	32Kbps G.726 ADPCM, 64Kbps 16bit μ -law PCM ~ Built-in MIC-in 64Kbps 16bit μ -law PCM ~ Built-in Speaker
Network Protocols	IPv4/v6, TCP, UDP, IGMP, ICMP, ICMPv6, ARP, RARP, PPPoE, RTCP, RTP, RTSP, SDP, HTTP, HTTPS, SMTP, FTP, DHCP, UPnP, NTP, DNS, DynDNS
Security	User ID & Password Protection, IP Filtering, HTTPS, SSL Encryption, Digest Authentication, User Access Log, IEEE 802.1x
Edge Storage	Micro SD Card Slot
LAN	10/100 Base T LAN (Auto MDIX)

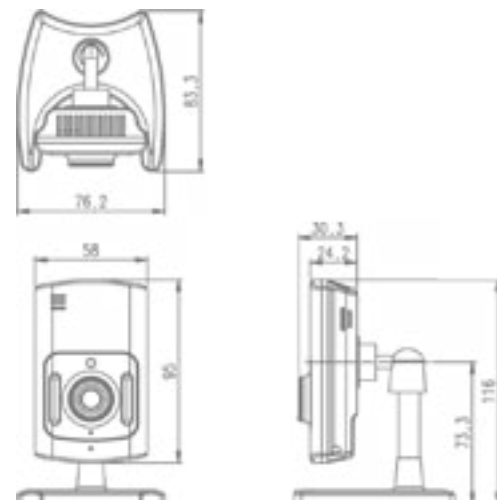
ALARM & EVENT

Trigger Event	Motion Detection, Audio Detection
Alarm I/O	1 Sensor Input & 1 Relay Output
Event Notification	E-mail (with JPEG), FTP, Relay Output
Event Buffering (Pre & Post)	Pre-alarm : 5~15sec / Post-alarm : 10~60sec

POWER & ENVIRONMENTAL

Power Source	12VDC, PoE (IEEE802.3af)
Power Consumption	12W (12V, 1A)
Operating Temperature & Humidity	0°C~45°C (32~113°F) / 8~80% RH
Outdoor Usage Certificate	-
Approval	CE, FCC, RoHS

DIMENSIONS



SD Weather-proof Vandal Resistant Bullet Type IP Camera iCanView382E / E+



KEY FEATURES

- NTSC : 768 x 494 / PAL : 752 x 582
- Dual Codec (H.264 / MJPEG)
- Multi Streaming w/ Max. 5
- Digital PTZ, Cropped Video
- D-WDR
- 2-Way Audio Communication
- Analog video output (CVBS)
- Edge Storage in micro SD Card
- DC12V
- Full Compatible Onvif Standard

VIDEO

	iCanView382E /E+
Image Sensor	Sony 1/3" Super HAD CCD
Max. Resolution	NTSC : 768 x 494 / PAL : 752 x 582
Scanning Mode	Progressive Scan
Lens	3.5 ~ 16mm (iCanView382E) / 5 ~ 50mm (iCanView382E+)
IRIS Control	DC Auto / Manual
Min. Illumination	Color : 0.15lux@F1.2 / 0.0003lux(F1.2) : IR LED Off, 512x Sens-Up
S/R Ratio	52dB or more
Video Quality Compensation	AE, AWB, 2D-3DNR, BLC
D-WDR	Supported
Electronic Shutter Speed	Auto / Manual
Privacy Masking	Supported
True Day & Night	Supported
IR Distance	70M
Intelligent Video	Motion Detection, Audio Detection

NETWORK

Video Compression	H.264 (High Profile) / MJPEG
Multi-Video Streaming	Max. 5 (2MP, D1, CIF, Crop, Photo)
Streaming Method	RTSP Streaming with Proprietary Format for Control Information - Standard RTSP Streaming - HTTP Streaming
Bit Rate Control	Intelligent Hybrid Control (VBR + CBR)
Max. Frame Rate	30fps@2MP
2 Way-Audio	32Kbps G.726 ADPCM, 64Kbps 16bit μ -law PCM ~ MIC / Line-in 64Kbps 16bit μ -law PCM ~ Line-out
Network Protocols	IPv4/v6, TCP, UDP, IGMP, ICMP, ICMPv6, ARP, RARP, PPPoE, RTCP, RTP, RTSP, SDP, HTTP, HTTPS, SMTP, FTP, DHCP, UPnP, NTP, DNS, DynDNS
Security	User ID & Password Protection, IP Filtering, HTTPS, SSL Encryption, Digest Authentication, User Access Log, IEEE 802.1x
Edge Storage	SD Card Slot
LAN	10/100 Base T LAN (Auto MDIX)

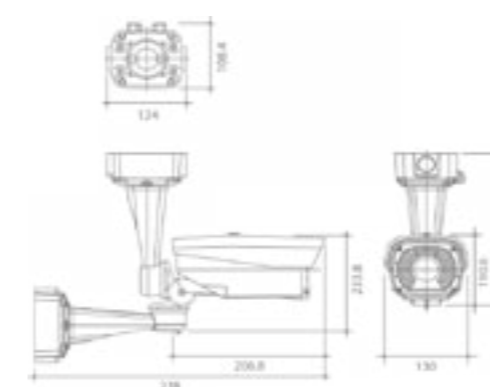
ALARM & EVENT

Trigger Event	Motion Detection, Audio Detection
Alarm I/O	1 Sensor Input & 1 Relay Output
Event Notification	E-mail (with JPEG), FTP, Relay Output
Event Buffering (Pre & Post)	Pre-alarm : 5~15sec / Post-alarm : 10~60sec

POWER & ENVIRONMENTAL

Power Source	12VDC, 3.3A
Power Consumption	38.6W (12V, 3.3A)
Operating Temperature & Humidity	-Without heater : -10°C~50°C (14°F~122°F) -With heater : -40° ~50°C (-40°F~122°F) / 8% ~ 00%
Outdoor Usage Certificate	IP 66
Approval	CE, FCC, RoHS

DIMENSIONS



SD In/Outdoor Mini PTZ Speed Dome
IP Camera

iCanView372



KEY FEATURES

- Dual-codec (H.264 & MJPEG)
- Multi profile streaming
- Digital PTZ, video crop
- 12X optical zoom, Vandal proof
- IP66 water-resistant
- Virtual keyboard controller (IP+ Hybrid)
- Analog CVBS output
- Two-way audio communication

VIDEO

iCanView372		
Image Sensor	1/4" Sony HAD CCD	
Max. Resolution	NTSC	PAL
	720x480(full D1), 640x480(VGA) 720x240(half D1), 352x240(CIF), 176x112(QCIF)	720x576(full D1), 640x480(VGA) 720x288(half D1), 352x288(CIF), 176x112(QCIF)
Lens	12x Optical Zoom f=3.94 ~ 46.05mm (F 1.67 ~ 1.88)	
IRIS Control	DC Auto / Manual	
Min. Illumination	Color : 0.02Lux, F1.6 0.04Lux, F1.6	
S/R Ratio	50dB	
D-WDR	Supported	
DSS	Auto / Manual	
Privacy Masking	Supported	
Day & Night	Supported	
IR Distance	-	
Intelligent Video	Motion Detection	

NETWORK

Video Compression	H.264 / MJPEG
Multi-Video Streaming	Max. 5 (D1, D1, CIF, Crop, Photo)
Streaming Method	RTSP Streaming with Proprietary Format for Control Information - Standard RTSP Streaming - HTTP Streaming
Bit Rate Control	Intelligent Hybrid Control (VBR+CBR)
Max. Frame Rate	30fps@ 720 x 576
2 Way-Audio	32Kbps G.726 ADPCM, 64Kbps 16bit μ -law PCM ~ MIC / Line-in 64Kbps 16bit μ -law PCM ~ Line-out
Network Protocols	IPv4/v6, TCP, UDP, IGMP, ICMP, ICMPv6, ARP, RARP, PPPoE, RTCP, RTP, RTSP, SDP, HTTP, HTTPS, SMTP, FTP, DHCP, UPnP, SNMP, NTP, DNS, DynDNS, SOCKS
Security	User ID & Password Protection, IP Filtering, HTTPS, SSL Encryption, Digest Authentication, User Access Log
Edge Storage	SD Card Slot
LAN	10/100 Base T LAN (Auto MDIX)

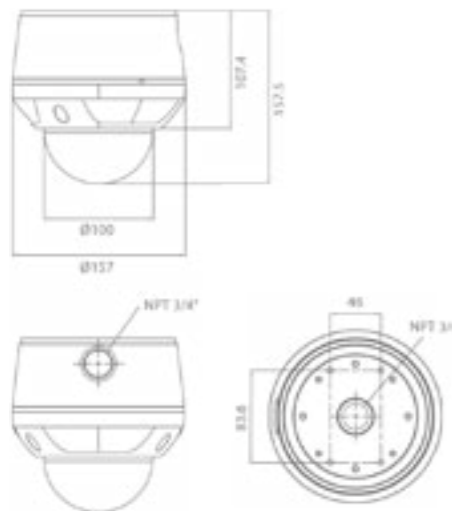
ALARM & EVENT

Trigger Event	Motion Detection
Alarm I/O	2 Sensor Input & 1 Relay Output
Event Notification	video file upload (FTP), still Image (Email), PTZ presets, Relay output
Event Buffering (Pre & Post)	Pre-alarm : 5~15sec / Post-alarm : 10~60sec

POWER & ENVIRONMENTAL

Power Source	24VAC, 1.75A
Power Consumption	42W (24V, 1.75A)
Operating Temperature & Humidity	Without heater : -10°C ~ 50°C (14°F~122°F) / 8~80% RH With heater : -40°C ~50°C (-40°F~122°F) / 8~80% RH
Outdoor Usage Certificate	IP 66
Approval	CE, FCC, RoHS

DIMENSIONS



SD Outdoor PTZ Speed Dome
IP Camera

iCanView340-18S/36S



KEY FEATURES

- Dual-codec (H.264 & MJPEG)
- Multi profile streaming
- Digital PTZ, video crop
- DIS / DNR / BLC / Day&Night Level Setting
- Bi-directional audio communication
- Ultra quiet mechanism
- IP + (Hybrid) feature
- Simultaneous control via RS-485 and IP network
- IP66 compliant housing
- Fan & heater

VIDEO

iCanView340-18S/36S		
Image Sensor	1/4" Sony HAD CCD	
Max. Resolution	NTSC	PAL
	720x480(full D1), 640x480(VGA) 720x240(half D1), 352x240(CIF), 176x112(QCIF)	720x576(full D1), 640x480(VGA) 720x288(half D1), 352x288(CIF), 176x112(QCIF)
Lens	36x Optical Zoom (F=1.6 ~ 4.5 , f=3.4 ~ 122.4mm) 18x Optical Zoom (F=1.4~3.0, f=4.1~73.8mm)	
IRIS Control	DC Auto / Manual	
Min. Illumination	Color : 0.01Lux	
S/R Ratio	50dB	
D-WDR	Supported	
DSS	Auto / Manual	
Privacy Masking	Supported	
Day & Night	Supported	
IR Distance	-	
Intelligent Video	Motion Detection	

NETWORK

Video Compression	H.264 / MJPEG
Multi-Video Streaming	Max. 5 (D1, D1, CIF, Crop, Photo)
Streaming Method	RTSP Streaming with Proprietary Format for Control Information - Standard RTSP Streaming - HTTP Streaming
Bit Rate Control	Intelligent Hybrid Control (VBR + CBR)
Max. Frame Rate	30fps@ 720 x 576
2 Way-Audio	32Kbps G.726 ADPCM, 64Kbps 16bit μ -law PCM ~ MIC / Line-in 64Kbps 16bit μ -law PCM ~ Line-out
Network Protocols	IPv4/v6, TCP, UDP, IGMP, ICMP, ICMPv6, ARP, RARP, PPPoE, RTCP, RTP, RTSP, SDP, HTTP, HTTPS, SMTP, FTP, DHCP, UPnP, SNMP, NTP, DNS, DynDNS, SOCKS
Security	User ID & Password Protection, IP Filtering, HTTPS, SSL Encryption, Digest Authentication, User Access Log
Edge Storage	SD Card Slot
LAN	10/100 Base T LAN (Auto MDIX)

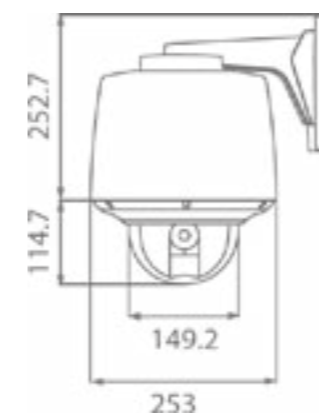
ALARM & EVENT

Trigger Event	Motion Detection
Alarm I/O	4 Sensor Input & 2 Relay Output
Event Notification	video file upload (FTP), still Image (Email), PTZ presets, Relay output
Event Buffering (Pre & Post)	Pre-alarm : 5~15sec / Post-alarm : 10~60sec

POWER & ENVIRONMENTAL

Power Source	12VDC, 1.75A
Power Consumption	21W (12V, 1.75A)
Operating Temperature & Humidity	Without heater : -10°C ~ 50°C (14°F~122°F) / 8~80% RH With heater : -40°C ~50°C (-40°F~122°F) / 8~80% RH
Outdoor Usage Certificate	IP 66
Approval	CE, FCC, RoHS

DIMENSIONS



SD Indoor PTZ Speed Dome
IP Camera

iCanView350-18S/36S



KEY FEATURES

- Dual-codec (H.264 & MJPEG)
- Multi profile streaming
- Digital PTZ, video crop
- 12X optical zoom, Vandal proof
- IP66 water-resistant
- Virtual keyboard controller (IP+ Hybrid)
- Analog CVBS output
- Two-way audio communication

VIDEO

iCanView350-18S/36S		
Image Sensor	1/4" Sony Exview HAD CCD	
Max. Resolution	NTSC	PAL
	720x480(full D1), 640x480(VGA) 720x240(half D1), 352x240(CIF), 176x112(QCIF)	720x576(full D1), 640x480(VGA) 720x288(half D1), 352x288(CIF), 176x112(QCIF)
Lens	36x Optical Zoom(F=1.6~4.5 , f=3.4~122.4mm) 18x Optical Zoom(F=1.4~3.0, f=4.1~73.8mm)	
IRIS Control	DC Auto / Manual	
Min. Illumination	Color : 0.01Lux	
S/R Ratio	50dB	
D-WDR	Supported	
DSS	Auto / Manual	
Day & Night	Supported	
Intelligent Video	Motion Detection	

NETWORK

Video Compression	H.264 / MJPEG
Multi-Video Streaming	Max. 5 (D1, D1, CIF, Crop, Photo)
Streaming Method	RTSP Streaming with Proprietary Format for Control Information - Standard RTSP Streaming - HTTP Streaming
Bit Rate Control	Intelligent Hybrid Control (VBR + CBR)
Max. Frame Rate	30fps@ 720 x 576
2 Way-Audio	32Kbps G.726 ADPCM, 64Kbps 16bit μ -law PCM ~ MIC / Line-in
	64Kbps 16bit μ -law PCM ~ Line-out
Network Protocols	IPv4/v6, TCP, UDP, IGMP, ICMP, ICMPv6, ARP, RARP, PPPoE, RTCP, RTP, RTSP, SDP, HTTP, HTTPS, SMTP, FTP, DHCP, UPnP, SNMP, NTP, DNS, DynDNS, SOCKS
Security	User ID & Password Protection, IP Filtering, HTTPS, SSL Encryption, Digest Authentication, User Access Log
Edge Storage	SD Card Slot
LAN	10/100 Base T LAN (Auto MDIX)

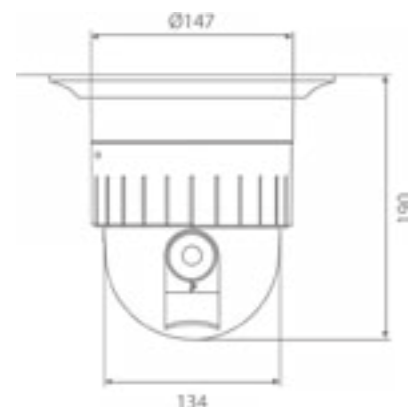
ALARM & EVENT

Trigger Event	Motion Detection
Alarm I/O	4 Sensor Input & 2 Relay Output
Event Notification	video file upload (FTP), still Image (Email), PTZ presets, Relay output
Event Buffering (Pre & Post)	Pre-alarm : 5~15sec / Post-alarm : 10~60sec

POWER & ENVIRONMENTAL

Power Source	12VDC, 1.75A
Power Consumption	21W (12V, 1.75)
Operating Temperature & Humidity	Without heater : -10°C~50°C (14°F~122°F) / 8~80% RH With heater : -40°C~50°C (-40°F~122°F) / 8~80% RH
Outdoor Usage Certificate	-
Approval	CE, FCC, RoHS

DIMENSIONS



SD IR In/Outdoor PTZ Speed Dome
IP Camera

iCanView342-27D/33D/37D



KEY FEATURES

- Professional speed dome
- Dual-codec (H.264 & MJPEG)
- Multi profile streaming
- Digital PTZ, video crop
- Bi-directional audio communication
- IP + (Hybrid) feature
- Simultaneous control through RS-485 and IP network
- Auto IR LED brightness control by Distance Range
- Proportional PTZ Control
- 0.009° Dome System Accuracy
- Fan & Heater
- High performance PTZ

VIDEO

iCanView342-27D/33D/37D			
Image Sensor	1/4" Sony Exview HAD CCD		
Max. Resolution	NTSC	PAL	
	720x480(full D1), 640x480(VGA) 720x240(half D1), 352x240(CIF), 176x112(QCIF)	720x576(full D1), 640x480(VGA) 720x288(half D1), 352x288(CIF), 176x112(QCIF)	720x576(full D1), 640x480(VGA) 720x288(half D1), 352x288(CIF), 176x112(QCIF)
Lens	27x Optical Zoom (F= 1.6 ~ 2.9 , f=3.5 ~ 94.5mm)	33x Optical Zoom(F= 1.6 ~ 3.6 , f=3.5 ~ 115.5mm)	37x Optical Zoom(F= 1.6 ~ 3.9 , f=3.5 ~ 129.5mm)
IRIS Control	DC Auto / Manual		
Min. Illumination	Color : 0.2Lux, F.16 0.04Lux, F.16		
S/R Ratio	50dB		
D-WDR	Supported		
DSS	Auto / Manual		
Privacy Masking	Supported		
Day & Night	Supported		
IR Distance	Optional (70M)		
Intelligent Video	Motion Detection		

NETWORK

Video Compression	H.264 / MJPEG
Multi-Video Streaming	Max. 5 (D1, D1, CIF, Crop, Photo)
Streaming Method	RTSP Streaming with Proprietary Format for Control Information - Standard RTSP Streaming - HTTP Streaming
Bit Rate Control	Intelligent Hybrid Control (VBR + CBR)
Max. Frame Rate	30fps@ 720 x 576
2 Way-Audio	32Kbps G.726 ADPCM, 64Kbps 16bit μ -law PCM ~ MIC / Line-in
	64Kbps 16bit μ -law PCM ~ Line-out
Network Protocols	IPv4/v6, TCP, UDP, IGMP, ICMP, ICMPv6, ARP, RARP, PPPoE, RTCP, RTP, RTSP, SDP, HTTP, HTTPS, SMTP, FTP, DHCP, UPnP, SNMP, NTP, DNS, DynDNS, SOCKS
Security	User ID & Password Protection, IP Filtering, HTTPS, SSL Encryption, Digest Authentication, User Access Log
Edge Storage	SD Card Slot
LAN	10/100 Base T LAN (Auto MDIX)

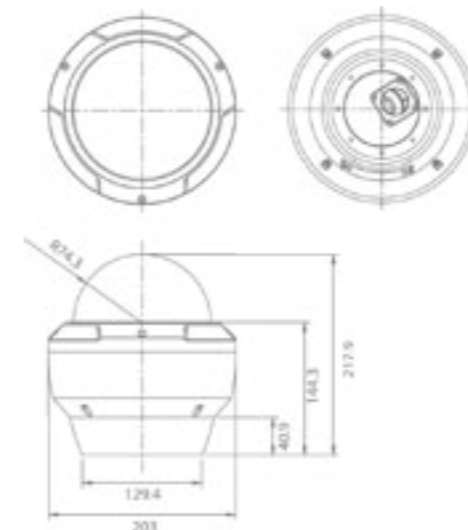
ALARM & EVENT

Trigger Event	Motion Detection
Alarm I/O	4 Sensor Input & 2 Relay Output
Event Notification	video file upload (FTP), still Image (Email), PTZ presets, Relay output
Event Buffering (Pre & Post)	Pre-alarm : 5~15sec / Post-alarm : 10~60sec

POWER & ENVIRONMENTAL

Power Source	24VDC, 2.5A
Power Consumption	60W (24V, 2.5A)
Operating Temperature & Humidity	-40°C ~55°C (-40°F~131°F) / 30~90% RH
Outdoor Usage Certificate	IP 66
Approval	CE, FCC, RoHS

DIMENSIONS



PTZ Mechanism, Camera Module for ICV340/350/342

Model		18X Optical (Sony)	26X Optical (Sony)	27X Optical (Samsung)	33X Optical (Samsung)	36X Optical (Sony, WDR)	37X Optical (Samsung)	
Pan / Tilt	Pan Rotation Angle	360° Endless						
	Pan Speed	Manual	0.5° ~ 200°/sec (64step)					
		Preset	Max 300°/sec, Min 10°/sec	Max 300°/sec, Min 10°/sec	Max 400°/sec, Min 10°/sec	Max 400°/sec, Min 10°/sec	Max 300°/sec, Min 10°/sec	Max 400°/sec, Min 10°/sec
	Tilt Rotation Angle	-2° ~ 90°						
	Tilt Speed	Manual	0.5° ~ 45°/sec (64step)	0.5° ~ 45°/sec (64step)	0.5° ~ 150°/sec (64step)	0.5° ~ 150°/sec (64step)	0.5° ~ 45°/sec (64step)	0.5° ~ 150°/sec (64step)
Preset		Max 250°/sec, Min 200°/sec						
System Accuracy		0.024°	0.024°	0.009°	0.009°	0.024°	0.009°	
Functions	Presets	165 positions with 16 character labels available for each position with different speed steps						
	Group Tour	Max. 8 Programmable group tours(each one consisting of up to 60 preset steps with different steps)						
	Auto Pan	Programmable Auto Scan						
	Pattern	8 Programmable Patterns (total 480 seconds)						
	Sector	8 Selectable Sectors with 16 characters						
	Password Protection	Yes						
	Privacy Zone	24	24	8	8	24	8	
	Alarm Input	4 alarms (with various programmable states)						
	Alarm Actions	Activate preset, Group scanning or output per alarm input						
	Aux Output	2 Relay Output						
	Auto Flip	ON / OFF						
	OSD Menu	Yes						
	Communication	RS-485						
	PTZ Protocol	Pelco-D, Pelco-P						
	Others	Motor Type	Stepping motor					
Micro Steps		1/8 Micro Step						
Camera Module	Image Sensor	1/4" Sony Exview HAD CCD						
	Total Image Pixels	NTSC	811(H) * 508(V) 410K					
		PAL	795(H) * 596(V) 470K					
	Number Of Effective Pixels	NTSC	768(H) * 494(V) 380K					
		PAL	752(H) * 582(V) 440K					
	Horizontal Resolution	NTSC	470TV line	470TV line	550TV line(Color)	550TV line(Color)	530TV line(Color)	550TV line(Color)
		PAL	460TV line	460TV line	680TV line(B/W)	680TV line(B/W)	530TV line(Color)	680TV line(B/W)
	Day & Night (ICR)	Supported	Supported	Supported	Supported	Supported	Supported	
	Digital Slow Shutter	ON / OFF	ON / OFF	ON / OFF	ON / OFF	ON / OFF	ON / OFF	
	Min. Illumination	Normal Mode	0.05Lux	0.14Lux	0.2Lux	0.2Lux	0.1Lux	0.2Lux
		Night Mode	0.01Lux	0.05Lux	0.02Lux	0.02Lux	0.01Lux	0.02Lux
		Sense-up : 256x	N/A	N/A	0.00007Lux	0.00007Lux	N/A	0.00007Lux
	Luminance S/N Ratio	More than 50dB						
	Video Output	Composite video output 75 ohm terminated						
	BLC	ON / OFF						
Flickerless	ON / OFF							

Full HD Outdoor PTZ Speed Dome IP Camera

iCanView346MP



KEY FEATURES

- Dual-codec (H.264 & MJPEG)
- Multi profile streaming
- Digital PTZ, video crop
- DIS / DNR / BLC / Day&Night Level Setting
- Bi-directional audio communication
- Ultra quiet mechanism
- IP + (Hybrid) feature
 - Simultaneous control via RS-485 and IP network
- IP66 compliant housing

VIDEO

iCanView346MP	
Image Sensor	Sony 1 / 2.8" CMOS Sensor
Max. Resolution	1920x1080@30fps
canning Mode	Progressive Scan
Lens	20x (f=4.7mm~94mm)
IRIS Control	DC Auto / Manual
Min. Illumination	Color : 1.7Lux (1.6, 50 IRE) 0.5Lux(High Sense)
S/R Ratio	50dB
D-WDR	Supported
DSS	Auto / Manual
Privacy Masking	Supported
Day & Night	Supported
IR Distance	-
Intelligent Video	Motion Detection

NETWORK

Video Compression	H.264 / MJPEG
Multi-Video Streaming	Max. 5 (2MP, D1, CIF, Crop, Photo)
Streaming Method	RTSP Streaming with Proprietary Format for Control Information - Standard RTSP Streaming - HTTP Streaming
Bit Rate Control	Intelligent Hybrid Control (VBR+CBR)
Max. Frame Rate	30fps@2MP
2 Way-Audio	32Kbps G.726 ADPCM, 64Kbps 16bit μ -law PCM ~ MIC / Line-in
	64Kbps 16bit μ -law PCM ~ Line-out
Network Protocols	IPv4/v6, TCP, UDP, IGMP, ICMP, ICMPv6, ARP, RARP, PPPoE, RTCP, RTP, RTSP, SDP, HTTP, HTTPS, SMTP, FTP, DHCP, UPnP, SNMP, NTP, DNS, DynDNS, SOCKS
Security	User ID & Password Protection, IP Filtering, HTTPS, SSL Encryption, Digest Authentication, User Access Log
Edge Storage	SD Card Slot
LAN	10/100 Base T LAN (Auto MDIX)

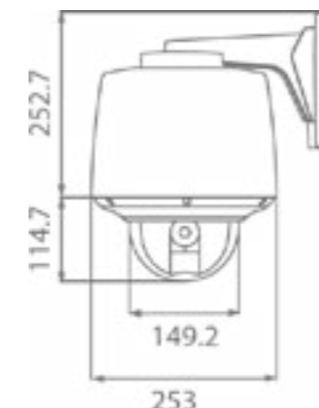
ALARM & EVENT

Trigger Event	Motion Detection
Alarm I/O	4 Sensor Input & 2 Relay Output
Event Notification	video file upload (FTP), still Image (Email), PTZ presets, Relay output
Event Buffering (Pre & Post)	Pre-alarm : 5~15sec / Post-alarm : 10~60sec

POWER & ENVIRONMENTAL

Power Source	IEEE802.3at PoE or 12VDC
Power Consumption	24W (12V, 2A)
Operating Temperature & Humidity	Without heater : -10°C~50°C (14°F~122°F) / 20~80% RH With heater : -40°C~50°C (-40°F~122°F) / 20~80% RH
Outdoor Usage Certificate	IP 66
Approval	CE, FCC, RoHS

DIMENSIONS



Full HD Indoor PTZ Speed Dome IP Camera
iCanView356MP



KEY FEATURES

- Dual-Codec (H.264/MJPEG)
- Progressive scan megapixel (2M CMOS)
- Multi profile
- Digital PTZ, video crop
- Bi-directional audio communication
- Ultra quiet mechanism
- IP + (Hybrid) feature
 - Simultaneous control through RS-485 and IP network

VIDEO

iCanView356MP	
Image Sensor	Sony 1 / 2.8" CMOS Sensor
Max. Resolution	1920x1080@30fps
canning Mode	Progressive Scan
Lens	20x (f=4.7mm~94mm) F1.6~F3.5
IRIS Control	DC Auto / Manual
Min. Illumination	Color : 1.7Lux (1.6, 50 IRE) 0.5Lux(High Sense)
S/R Ratio	50dB
D-WDR	Supported
DSS	Auto / Manual
Privacy Masking	Supported
Day & Night	Supported
IR Distance	-
Intelligent Video	Motion Detection

NETWORK

Video Compression	H.264 / MJPEG
Multi-Video Streaming	Max. 5 (2MP, D1, CIF, Crop, Photo)
Streaming Method	RTSP Streaming with Proprietary Format for Control Information - Standard RTSP Streaming - HTTP Streaming
Bit Rate Control	Intelligent Hybrid Control (VBR+CBR)
Max. Frame Rate	30fps@2MP
2 Way-Audio	32Kbps G.726 ADPCM, 64Kbps 16bit μ -law PCM ~ MIC / Line-in
	64Kbps 16bit μ -law PCM ~ Line-out
Network Protocols	IPv4/v6, TCP, UDP, IGMP, ICMP, ICMPv6, ARP, RARP, PPPoE, RTCP, RTP, RTSP, SDP, HTTP, HTTPS, SMTP, FTP, DHCP, UPnP, SNMP, NTP, DNS, DynDNS, SOCKS
Security	User ID & Password Protection, IP Filtering, HTTPS, SSL Encryption, Digest Authentication, User Access Log
Edge Storage	SD Card Slot
LAN	10/100 Base T LAN (Auto MDIX)

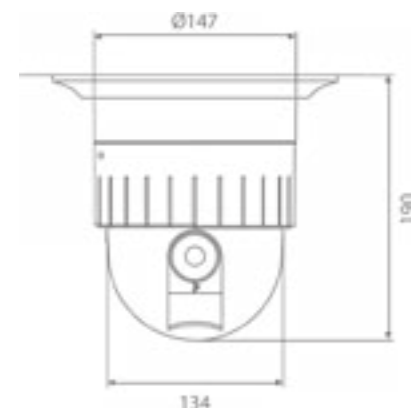
ALARM & EVENT

Trigger Event	Motion Detection
Alarm I/O	4 Sensor Input & 2 Relay Output
Event Notification	video file upload (FTP), still Image (Email), PTZ presets, Relay output
Event Buffering (Pre & Post)	Pre-alarm : 5~15sec / Post-alarm : 10~60sec

POWER & ENVIRONMENTAL

Power Source	IEEE802.3at PoE or 12VDC
Power Consumption	24W (12V, 2A)
Operating Temperature & Humidity	Without heater : -10°C~50°C (14°F~122°F) / 20~80% RH With heater : -40°C~50°C (-40°F~122°F) / 20~80% RH
Outdoor Usage Certificate	-
Approval	CE, FCC, RoHS

DIMENSIONS



Full HD Professional IR Outdoor PTZ Speed Dome IP Camera
iCanView316MP



KEY FEATURES

- Dual-Codec (H.264/MJPEG)
- Progressive scan megapixel (2M CMOS)
- Multi profile
- Digital PTZ, video crop
- Bi-directional audio communication
- Ultra quiet mechanism
- IP + (Hybrid) feature
 - Simultaneous control through RS-485 and IP network

Auto IR LED Brightness Control

- Illumination level of IR LED is automatically readjusted by distance range.

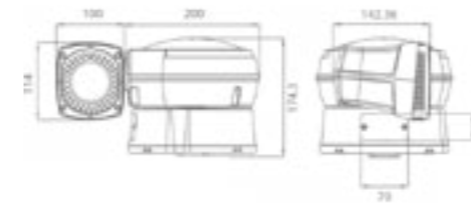


Tempered Glass Adopted

- Tempered glass and specially coating for preventing dew condensation.



DIMENSIONS



VIDEO

iCanView316MP	
Image Sensor	Sony 1 / 2.8" CMOS Sensor
Max. Resolution	1920x1080@30fps
canning Mode	Progressive Scan
Lens	20x (f=4.7mm~94mm) F1.6~F3.5
IRIS Control	DC Auto / Manual
Min. Illumination	Color : 1.7Lux (1.6, 50 IRE) 0.5Lux(High Sense)
S/R Ratio	50dB
D-WDR	Supported
DSS	Auto / Manual
Privacy Masking	Supported
Day & Night	Supported
IR Distance	70M
Intelligent Video	Motion Detection

NETWORK

Video Compression	H.264 / MJPEG
Multi-Video Streaming	Max. 5 (2MP, D1, CIF, Crop, Photo)
Streaming Method	RTSP Streaming with Proprietary Format for Control Information - Standard RTSP Streaming - HTTP Streaming
Bit Rate Control	Intelligent Hybrid Control (VBR+CBR)
Max. Frame Rate	30fps@2MP
2 Way-Audio	32Kbps G.726 ADPCM, 64Kbps 16bit μ -law PCM ~ MIC / Line-in
	64Kbps 16bit μ -law PCM ~ Line-out
Network Protocols	IPv4/v6, TCP, UDP, IGMP, ICMP, ICMPv6, ARP, RARP, PPPoE, RTCP, RTP, RTSP, SDP, HTTP, HTTPS, SMTP, FTP, DHCP, UPnP, SNMP, NTP, DNS, DynDNS, SOCKS
Security	User ID & Password Protection, IP Filtering, HTTPS, SSL Encryption, Digest Authentication, User Access Log
Edge Storage	SD Card Slot
LAN	10/100 Base T LAN (Auto MDIX)

ALARM & EVENT

Trigger Event	Motion Detection
Alarm I/O	4 Sensor Input & 2 Relay Output
Event Notification	video file upload (FTP), still Image (Email), PTZ presets, Relay output
Event Buffering (Pre & Post)	Pre-alarm : 5~15sec / Post-alarm : 10~60sec

POWER & ENVIRONMENTAL

Power Source	IEEE802.3at PoE or 24VAC
Power Consumption	48W (24V, 2A)
Operating Temperature & Humidity	Without heater : -10°C~50°C (14°F~122°F) / 20~80% RH With heater : -40°C~50°C (-40°F~122°F) / 20~80% RH
Outdoor Usage Certificate	IP 68
Approval	CE, FCC, RoHS

PTZ Mechanism, Camera Module for ICV346MP/356MP/316MP

Image	Image Sensor	1 / 2.8 Type Exmor CMOS Sensor		
	Effective Pixels	3270K Pixels		
	Progressive Scan	Yes		
	Output Pixel@fps	1920x1080@30fps		
Lens	Optical Zoom	20x (f=4.7mm~94mm)		
	Practical f - value	f = 4.7mm(W) ~ 94mm(T)		
	F- value	F1.6~F3.5		
Zoom Speed	Optical Wide – Optical Tele	Optical Wide – Digital Tele	Digital Wide – Digital Tele	
	2.3 sec (Focus Tracking On)	4.3 sec (30p/60p mode)	2.1 sec (30p/60p mode)	
	1.6 sec (Focus Tracking Off)	4.9 sec (25p/50p mode)	2.6 sec (25p/50p mode)	
Focus Movement Time	~ Near : 0.8 sec			
Angle of View (H)	Approx. 55.4 degrees (Wide End) , Approx. 2.9 degrees (Tele End)			
Digital Zoom	12x (240x with Optical Zoom)			
Min. Working Distance	10mm(Wide End), 1000mm(Tele End)			
Min. Illumination	0.5Lux	(1/30 sec, 50%, High Sensitivity Mode On)		
	1.7Lux	(1/30 sec, 50%, High Sensitivity Mode Off)		
	0.08Lux	(NTSC1/4 sec, PAL 1/3 sec. 50%, High Sensitivity Mode On)		
	0.26Lux	(NTSC1/4 sec, PAL 1/3 sec. 50%, High Sensitivity Mode Off)		
	0.095Lux	ICR-On Mode (1/30 sec, 50%, High Sensitivity Mode On)		
	0.3Lux	ICR-On Mode (1/30 sec, 50%, High Sensitivity Mode Off)		
	0.005Lux	(NTSC1/4 sec, PAL 1/3 sec. 30%, High Sensitivity Mode On)		
100Lux ~ 100,000Lux	Recommended Illumination			
Sync System	Internal			
S/N Ratio	50dB (Weight On)			
Back Light Compensation	ON/OFF			
Electronic Shutter Speed	60/30 Mode	1/1 sec ~ 1/10,000 sec (22 Steps)		
	50/25 Mode	1/1 sec ~ 1/10,000 sec (22 Steps)		
White Balance	AUTO, ATW, Indoor, Outdoor, One Push WB, Manual WB, Outdoor Auto, Sodium Vapor Lamp (Fix/Auto)			
Gain	Auto / Manual (-3 dB ~ +28 dB, 16 Steps)			
	Max. Gain Limit (6 dB ~ 28 dB, 12 Steps)			
Wide Dynamic Range	ON/OFF/AUTO			
Noise Reduction	ON/OFF (Level 5 ~ 1 / OFF, 6 Steps)			
Color Enhancement	ON/OFF			
Aperture Control	16 Steps			
Preset	6-POSITIONS			
Serial Interface	VISCA Protocol (CMOS 5V)			
	9.6 kbps, 19.2 kbps, 38.4 kbps, Stop bit, 1 bit			
Video Output	HD	Analog Component (Y/Pb/Pr), Digital (LVDS)		
	Analog SD	VBS		

Full HD IR In/Outdoor PTZ Speed Dome IP Camera iCanView347MP



KEY FEATURES

- Professional speed dome
- Dual-codec (H.264 & MJPEG)
- Multi profile streaming
- Digital PTZ, video crop
- Bi-directional audio communication
- IP + (Hybrid) feature
 - Simultaneous control through RS-485 and IP network
- Auto IR LED brightness control by Distance Range
- Proportional PTZ Control
- 0.009° Dome System Accuracy
- Fan & Heater
- High performance PTZ

VIDEO

	iCanView347MP
Image Sensor	Sony 1 / 2.8" CMOS Sensor
Max. Resolution	1920x1080@30fps
canning Mode	Progressive Scan
Lens	20x (f=4.7mm~94mm) F1.6~F3.5
IRIS Control	DC Auto / Manual
Min. Illumination	Color : 0.2Lux, F.16 0.04Lux, F.16
S/R Ratio	50dB
D-WDR	Supported
DSS	Auto / Manual
Privacy Masking	Supported
Day & Night	Supported
IR Distance	Optional (70M)
Intelligent Video	Motion Detection

NETWORK

Video Compression	H.264 / MJPEG
Multi-Video Streaming	Max. 5 (2MP, D1, CIF, Crop, Photo)
Streaming Method	RTSP Streaming with Proprietary Format for Control Information - Standard RTSP Streaming - HTTP Streaming
Bit Rate Control	Intelligent Hybrid Control (VBR+CBR)
Max. Frame Rate	30fps@2MP
2 Way-Audio	32Kbps G.726 ADPCM, 64Kbps 16bit μ -law PCM ~ MIC / Line-in
	64Kbps 16bit μ -law PCM ~ Line-out
Network Protocols	IPv4/v6, TCP, UDP, IGMP, ICMP, ICMPv6, ARP, RARP, PPPoE, RTCP, RTP, RTSP, SDP, HTTP, HTTPS, SMTP, FTP, DHCP, UPnP, SNMP, NTP, DNS, DynDNS, SOCKS
Security	User ID & Password Protection, IP Filtering, HTTPS, SSL Encryption, Digest Authentication, User Access Log
Edge Storage	SD Card Slot
LAN	10/100 Base T LAN (Auto MDIX)

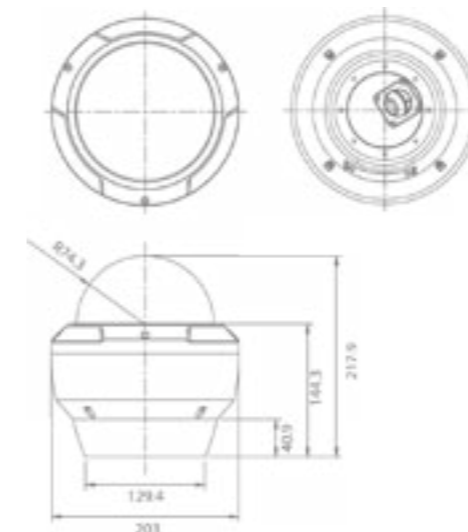
ALARM & EVENT

Trigger Event	Motion Detection
Alarm I/O	4 Sensor Input & 2 Relay Output
Event Notification	video file upload (FTP), still Image (Email), PTZ presets, Relay output
Event Buffering (Pre & Post)	Pre-alarm : 5~15sec / Post-alarm : 10~60sec

POWER & ENVIRONMENTAL

Power Source	IEEE802.3at PoE or 24VDC
Power Consumption	60W (24V, 2.5A)
Operating Temperature & Humidity	-40°C~55°C (-40°F~131°F) / 30~90% RH
Outdoor Usage Certificate	IP 66
Approval	CE, FCC, RoHS

DIMENSIONS



0.009° ACCURACY

Camera provides excellent sensitivity and delicate controlling on preset mode by adopting 1/16 micro step and twin gear system.

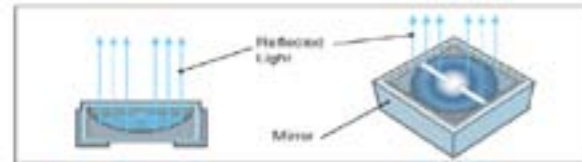


HIGH-QUALITY IR LED

Special LED mechanism achieves low-heat, low-power and high-illumination with excellent energy saving technology.



1,000h made on 90° C, -30°C and 60°C/RH 90%



MAX.400°/S PAN SPEED

Moving Speed Control of Panning and Tilting is available from 250°/Sec with manual control. In Preset Positions, Max.400°/sec Panning and 300°/sec Tilting Speed Control is available.

AUTO LED BRIGHTNESS CONTROL BY DISTANCE RANGE

Wide Angle(Zoom Out) - Illumination Level : automatically readjusted to a dimmer lever by way of prevention against image saturation.
Narrow Angle(Zoom In) - Illumination Level : automatically readjusted to get the maximum to have enough light for clear image display and reduction of energy consumption.

FREEZE/FOCUS AF, MF PRESET

Freeze Preset : On moving the preset, it is for stopping imagination on the screen.
Focus AF,MF Preset : It is for moving into Auto Focus / Manual Focus the preset as user want.

Samsung Zoom Camera Module Specification

Image Sensor	1/3 type Exmor CMOS sensor
Effective Pixels	Approx. 2 million
Digital Zoom	20x (200x with optical zoom)
Horizontal Viewing Angle	54.1° (wide end) to 2.9° (tele end)
Minimum Object Distance	10mm (wide) ~ 1,000 mm (tele)
Sync System	Internal
Electronic Shutter	1/2 to 1/10,000 s, 21 steps
White Balance	Auto, ATW, Indoor, Outdoor Auto, Sodium Vapor Lamp (fix/auto), One-push, Manual
Gain	Auto/Manual/Max. Gain Limit (-3 to 28 dB, 2 dB steps)
Wide Dynamic Range	Auto/Manual
Privacy Zone Masking	Spherical
Character Generator	20 characters/line, max. 11 lines
Focus System	Auto (Sensitivity: normal, low), One-push AF, Manual, Infinity, Interval AF, Zoom trigger AF
Camera Operation / Zoom Switch	Yes (Zoom Tele, Zoom Wide)
Picture Effects	E-flip, Nega Art, Black & White, Mirror image, Color enhancement
Exposure Control	AE Control: Auto, Manual, Priority (shutter priority and iris priority), Bright, EV Compensation, Slow AE
Lens Value	20x Optical Zoom, f=4.7 mm (wide) ~ 94.0 mm (tele), F1.6 to F3.5
S/N Ratio	More than 50 dB
Minimum Illumination	Less than 1.7 lx (F1.6, 50 IRE), 0.5 lx in High Sensitivity Mode
Signal System	HD: 1080p/29.97, 1080p/25, 1080i/59.94, 1080i/50, 720p/50, 720p/29.97, 720p/25SD: NTSC/PAL
Camera Control Interface	VISCA (TTL Signal Level) Baud Rate: 96 Kb/s, 19.2 Kb/s, 38.4 Kb/s Stop bit: 1/2 bit selectable
Dimensions (W x H x D)	50.0 (w) x 60 (h) x 89 (d) mm
Weight	Less than 270g
Operating Temperature	-5°C - 60°C
Storage Temperature	-20°C - 60°C
Power Consumption	Less than 4.8W (motors inactive)
Power Requirements	6.0V ~ 12.0V DC

Full HD Low-Cost IR PanCake Type IP Camera iCanView321MPE



KEY FEATURES

- 2MP CMOS
- Dual Codec (H.264 / MJPEG)
- Multi Streaming w / Max. 3
- Compact Design & Easy Installation
- Built-in D/N (TDN)
- PoE / DC12V
- Full Compatible Onvif Standard

VIDEO

	iCanView321MPE
Image Sensor	1/2.9" CMOS
Max. Resolution	1920x1080@30fps
canning Mode	Progressive Scan
Lens	3.7mm, F2.5
IRIS Control	DC Auto / Manual
Min. Illumination	Color : 0.12lux@F1.4 / BW : 0lux with IR ON
S/R Ratio	50dB
Video Quality Compensation	AE, AWB, 2D-3DNR
D-WDR	Supported
DSS	Supported
Day & Night	Supported
IR Distance	15M
Intelligent Video	Motion Detection

NETWORK

Video Compression	H.264 / MJPEG
Multi-Video Streaming	Max. 3 (2MP, D1, Photo)
Streaming Method	RTSP Streaming with Proprietary Format for Control Information - Standard RTSP Streaming - HTTP Streaming
Bit Rate Control	Intelligent Hybrid Control (VBR + CBR)
Max. Frame Rate	30fps@2MP
2 Way-Audio	N/A
Network Protocols	IPv4/v6, TCP, UDP, IGMP, ICMP, ICMPv6, ARP, RARP, PPPoE, RTCP, RTP, RTSP, SDP, HTTP, HTTPS, SMTP, FTP, DHCP, UPnP, NTP, DNS, DynDNS
Security	User ID & Password Protection, IP Filtering, HTTPS, SSL Encryption, Digest Authentication, User Access Log, IEEE 802.1x
Edge Storage	N/A
LAN	10/100 Base T LAN (Auto MDIX)

ALARM & EVENT

Trigger Event	Motion Detection
Alarm I/O	N/A
Event Notification	E-mail (with JPEG), FTP, Push Alarm
Event Buffering (Pre & Post)	Pre-alarm : 5~10sec / Post-alarm : 10~30sec

POWER & ENVIRONMENTAL

Power Source	12VDC/0.6A, PoE (IEEE802.3af)
Power Consumption	7.2W (12V, 0.6A)
Operating Temperature & Humidity	0°C~45°C (32°F~113°F) & 8~80%RH
Outdoor Usage Certificate	-
Approval	CE, FCC, RoHS, KCC

DIMENSIONS



Full HD Low-Cost Vandal-Resistant
IR PanCake Type IP Camera
iCanView361MPE



KEY FEATURES

- 2MP CMOS
- Dual Codec (H.264 / MJPEG)
- Multi Streaming w/ Max. 3
- Compact Design & Easy Installation
- Built-in D/N (TDN)
- PoE / DC12V
- Full Compatible Onvif Standard

VIDEO

	iCanView361MPE
Image Sensor	1/2.9" CMOS
Max. Resolution	1920x1080@30fps
canning Mode	Progressive Scan
Lens	3.7mm, F2.5
IRIS Control	DC Auto / Manual
Min. Illumination	Color : 0.12lux@F1.4 / BW : 0lux with IR ON
S/R Ratio	50dB
Video Quality Compensation	AE, AWB, 2D-3DNR
D-WDR	Supported
DSS	Supported
Day & Night	Supported
IR Distance	15M
Intelligent Video	Motion Detection

NETWORK

Video Compression	H.264 / MJPEG
Multi-Video Streaming	Max. 3 (2MP, D1, Photo)
Streaming Method	RTSP Streaming with Proprietary Format for Control Information - Standard RTSP Streaming - HTTP Streaming
Bit Rate Control	Intelligent Hybrid Control (VBR + CBR)
Max. Frame Rate	30fps@2MP
2 Way-Audio	N/A
Network Protocols	IPv4/v6, TCP, UDP, IGMP, ICMP, ICMPv6, ARP, RARP, PPPoE, RTCP, RTP, RTSP, SDP, HTTP, HTTPS, SMTP, FTP, DHCP, UPnP, NTP, DNS, DynDNS
Security	User ID & Password Protection, IP Filtering, HTTPS, SSL Encryption, Digest Authentication, User Access Log, IEEE 802.1x
Edge Storage	N/A
LAN	10/100 Base T LAN (Auto MDIX)

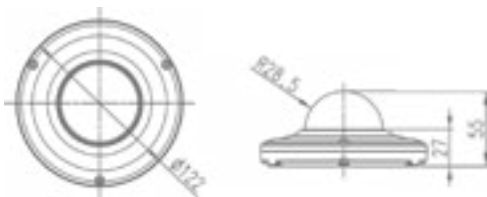
ALARM & EVENT

Trigger Event	Motion Detection
Alarm I/O	N/A
Event Notification	E-mail (with JPEG), FTP, Push Alarm
Event Buffering (Pre & Post)	Pre-alarm : 5~10sec / Post-alarm : 10~30sec

POWER & ENVIRONMENTAL

Power Source	12VDC/0.6A, PoE (IEEE802. 3af)
Power Consumption	7.2W (12V, 0.6A)
Operating Temperature & Humidity	0°C~45°C (32°F~113°F) & 8~80%RH
Outdoor Usage Certificate	IP 66
Approval	CE, FCC, RoHS, KCC

DIMENSIONS



Full HD Low-Cost Vandal-Resistant
IR Bullet Type IP Camera
iCanView387MPE



KEY FEATURES

- 2MP CMOS
- Dual Codec (H.264 / MJPEG)
- Multi Streaming w/ Max. 3
- Compact Design & Easy Installation
- Built-in D/N (TDN)
- PoE / DC12V
- Full Compatible Onvif Standard

VIDEO

	iCanView387MPE
Image Sensor	1/2.9" CMOS
Max. Resolution	1920x1080@30fps
canning Mode	Progressive Scan
Lens	3.7mm, F2.5
IRIS Control	DC Auto / Manual
Min. Illumination	Color : 0.12lux@F1.4 / BW : 0lux with IR ON
S/R Ratio	50dB
Video Quality Compensation	AE, AWB, 2D-3DNR
D-WDR	Supported
DSS	Supported
Day & Night	Supported
IR Distance	15M
Intelligent Video	Motion Detection

NETWORK

Video Compression	H.264 / MJPEG
Multi-Video Streaming	Max. 3 (2MP, D1, Photo)
Streaming Method	RTSP Streaming with Proprietary Format for Control Information - Standard RTSP Streaming - HTTP Streaming
Bit Rate Control	Intelligent Hybrid Control (VBR + CBR)
Max. Frame Rate	30fps@2MP
2 Way-Audio	N/A
Network Protocols	IPv4/v6, TCP, UDP, IGMP, ICMP, ICMPv6, ARP, RARP, PPPoE, RTCP, RTP, RTSP, SDP, HTTP, HTTPS, SMTP, FTP, DHCP, UPnP, NTP, DNS, DynDNS
Security	User ID & Password Protection, IP Filtering, HTTPS, SSL Encryption, Digest Authentication, User Access Log, IEEE 802.1x
Edge Storage	N/A
LAN	10/100 Base T LAN (Auto MDIX)

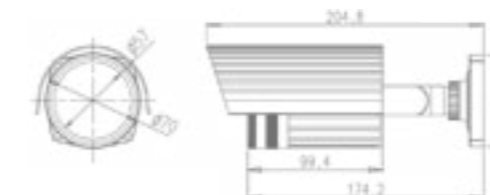
ALARM & EVENT

Trigger Event	Motion Detection
Alarm I/O	N/A
Event Notification	E-mail (with JPEG), FTP, Push Alarm
Event Buffering (Pre & Post)	Pre-alarm : 5~10sec / Post-alarm : 10~30sec

POWER & ENVIRONMENTAL

Power Source	12VDC/0.6A, PoE (IEEE802. 3af)
Power Consumption	7.2W (12V, 0.6A)
Operating Temperature & Humidity	0°C~ 45°C (32°F~113°F) & 8~80%RH
Outdoor Usage Certificate	IP 66
Approval	CE, FCC, RoHS, KCC

DIMENSIONS



Full HD Low-Light PanCake Type IP Camera iCanView321MPI



KEY FEATURES

- 2MP CMOS
- Dual Codec (H.264 / MJPEG)
- Multi Streaming w/ Max. 5
- Compact Design & Easy Installation
- Built-in D/N (TDN)
- PoE / DC12V
- Full Compatible Onvif Standard

VIDEO

iCanView321MPI	
Image Sensor	1/2.9" CMOS
Max. Resolution	1920x1080@30fps
canning Mode	Progressive Scan
Lens	3mm, F2.0
IRIS Control	DC Auto / Manual
Min. Illumination	Color : 0.12lux@F1.4
S/R Ratio	62dB or more
Day & Night	AUTO (Mechanical ICR), DAY, NIGHT
Sensitivity (F1.2, 30IRE, ICR B/W)	Intensifier Off - Intensifier Max. x128 -
Back Light Compensation	On/Off
White Balance	ATB (2,000K ~ 10,000K) / MANUAL / PUSH
Exposure	DC/ESC
WDR	On-15frame / Off-30frame
3D-DNR	Day : 0~20 / Night : 0~20
Intensifier	AUTO ON (Max. x128) / OFF
Digital Zoom	x1 ~ x12
DEFOG	OFF/AUTO
OSD/Language	Built-In Internally

NETWORK

Video Compression	H.264(High Profile) / MJPEG
Multi-Video Streaming	Max. 5 (2MP, D1, CIF, Crop, Photo)
Streaming Method	RTSP Streaming with Proprietary Format for Control Information - Standard RTSP Streaming - HTTP Streaming
Bit Rate Control	Intelligent Hybrid Control (VBR + CBR)
Max. Frame Rate	30fps@2MP
2 Way-Audio	32Kbps G.726 ADPCM, 64Kbps 16bit μ -law PCM ~ MIC / Line-in 64Kbps 16bit μ -law PCM ~ Line-out
Network Protocols	IPv4/v6, TCP, UDP, IGMP, ICMP, ICMPv6, ARP, RARP, PPPoE, RTCP, RTP, RTSP, SDP, HTTP, HTTPS, SMTP, FTP, DHCP, UPnP, NTP, DNS, DynDNS
Security	User ID & Password Protection, IP Filtering, HTTPS, SSL Encryption, Digest Authentication, User Access Log, IEEE 802.1x
Edge Storage	Micro SD Card Slot
LAN	10/100 Base T LAN (Auto MDIX)

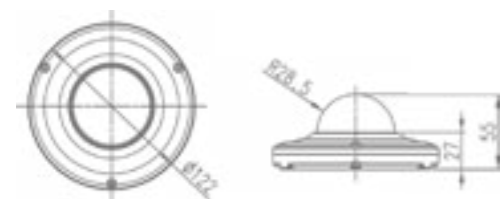
ALARM & EVENT

Trigger Event	Motion Detection, Audio Detection
Alarm I/O	1 Sensor Input & 1 Relay Output
Event Notification	E-mail (with JPEG), FTP, Push Alarm
Event Buffering (Pre & Post)	Pre-alarm : 5~15sec / Post-alarm : 10~60sec

POWER & ENVIRONMENTAL

Power Source	12VDC, PoE (IEEE802.3af)
Power Consumption	12W (12V, 1A)
Operating Temperature & Humidity	0°C~45°C (32°F~113°F) & 8~80%RH
Outdoor Usage Certificate	-
Approval	CE, FCC, RoHS

DIMENSIONS



Full HD Low-Light Dome Type IP Camera iCanView327MPI



KEY FEATURES

- 2MP CMOS
- Dual Codec (H.264 / MJPEG)
- Multi Streaming w/ Max. 5
- Compact Design & Easy Installation
- Built-in D/N (TDN)
- PoE / DC12V
- Full Compatible Onvif Standard

VIDEO

iCanView327MPI	
Image Sensor	1/2.9" CMOS
Max. Resolution	1920x1080@30fps
canning Mode	Progressive Scan
Lens	2.8~12mm, F2.0
IRIS Control	DC Auto / Manual
Min. Illumination	Color : 0.12lux@F1.4
S/R Ratio	62dB or more
Day & Night	AUTO (Mechanical ICR), DAY, NIGHT
Sensitivity (F1.2, 30IRE, ICR B/W)	Intensifier Off - Intensifier Max. x128 -
Back Light Compensation	On/Off
White Balance	ATB (2,000K ~ 10,000K) / MANUAL / PUSH
Exposure	DC/ESC
WDR	On-15frame / Off-30frame
3D-DNR	Day : 0~20 / Night : 0~20
Intensifier	AUTO ON (Max. x128) / OFF
Digital Zoom	x1 ~ x12
DEFOG	OFF/AUTO
OSD/Language	Built-In Internally

NETWORK

Video Compression	H.264 / MJPEG
Multi-Video Streaming	Max. 5 (2MP, D1, CIF, Crop, Photo)
Streaming Method	RTSP Streaming with Proprietary Format for Control Information - Standard RTSP Streaming - HTTP Streaming
Bit Rate Control	Intelligent Hybrid Control (VBR + CBR)
Max. Frame Rate	30fps@2MP
2 Way-Audio	32Kbps G.726 ADPCM, 64Kbps 16bit μ -law PCM ~ MIC / Line-in 64Kbps 16bit μ -law PCM ~ Line-out
Network Protocols	IPv4/v6, TCP, UDP, IGMP, ICMP, ICMPv6, ARP, RARP, PPPoE, RTCP, RTP, RTSP, SDP, HTTP, HTTPS, SMTP, FTP, DHCP, UPnP, NTP, DNS, DynDNS
Security	User ID & Password Protection, IP Filtering, HTTPS, SSL Encryption, Digest Authentication, User Access Log, IEEE 802.1x
Edge Storage	Micro SD Card Slot
LAN	10/100 Base T LAN (Auto MDIX)

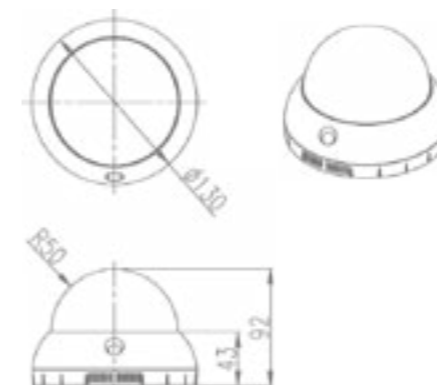
ALARM & EVENT

Trigger Event	Motion Detection, Audio Detection
Alarm I/O	1 Sensor Input & 1 Relay Output
Event Notification	E-mail (with JPEG), FTP, Push Alarm
Event Buffering (Pre & Post)	Pre-alarm : 5~15sec / Post-alarm : 10~60sec

POWER & ENVIRONMENTAL

Power Source	12VDC, PoE (IEEE802.3af)
Power Consumption	12W (12V, 1A)
Operating Temperature & Humidity	0°C~45°C (32°F~113°F) & 8~80%RH
Outdoor Usage Certificate	-
Approval	CE, FCC, RoHS

DIMENSIONS



Full HD Low-Light Vandal-Resistant
PanCake Type IP Camera

iCanView361MPI



KEY FEATURES

- 2MP CMOS
- Dual Codec (H.264 / MJPEG)
- Multi Streaming w/ Max. 5
- Compact Design & Easy Installation
- Built-in D/N (TDN)
- PoE / DC12V
- Full Compatible Onvif Standard

VIDEO

iCanView361MPI	
Image Sensor	1/2.9" CMOS
Max. Resolution	1920x1080@30fps
canning Mode	Progressive Scan
Lens	3.7mm, F2.5
IRIS Control	DC Auto / Manual
Min. Illumination	Color : 0.12lux@F1.4
S/R Ratio	62dB or more
Day & Night	AUTO (Mechanical ICR), DAY, NIGHT
Sensitivity (F1.2, 30IRE, ICR B/W)	Intensifier Off - Intensifier Max. x128 -
Back Light Compensation	On/Off
White Balance	ATB (2,000K ~ 10,000K) / MANUAL / PUSH
Exposure	DC/ESC
WDR	On-15frame / Off-30frame
3D-DNR	Day : 0~20 / Night : 0~20
Intensifier	AUTO ON (Max. x128) / OFF
Digital Zoom	x1 ~ x12
DEFOG	OFF/AUTO
OSD/Language	Built-In Internally

NETWORK

Video Compression	H.264 / MJPEG
Multi-Video Streaming	Max. 5 (2MP, D1, CIF, Crop, Photo)
Streaming Method	RTSP Streaming with Proprietary Format for Control Information - Standard RTSP Streaming - HTTP Streaming
Bit Rate Control	Intelligent Hybrid Control (VBR + CBR)
Max. Frame Rate	30fps@2MP
2 Way-Audio	32Kbps G.726 ADPCM, 64Kbps 16bit μ -law PCM ~ MIC / Line-in 64Kbps 16bit μ -law PCM ~ Line-out
Network Protocols	IPv4/v6, TCP, UDP, IGMP, ICMP, ICMPv6, ARP, RARP, PPPoE, RTCP, RTP, RTSP, SDP, HTTP, HTTPS, SMTP, FTP, DHCP, UPnP, NTP, DNS, DynDNS
Security	User ID & Password Protection, IP Filtering, HTTPS, SSL Encryption, Digest Authentication, User Access Log, IEEE 802.1x
Edge Storage	Micro SD Card Slot
LAN	10/100 Base T LAN (Auto MDIX)

ALARM & EVENT

Trigger Event	Motion Detection, Audio Detection
Alarm I/O	1 Sensor Input & 1 Relay Output
Event Notification	E-mail (with JPEG), FTP, Push Alarm
Event Buffering (Pre & Post)	Pre-alarm : 5~15sec / Post-alarm : 10~60sec

POWER & ENVIRONMENTAL

Power Source	12VDC, PoE (IEEE802.3af)
Power Consumption	12W (12V, 1A)
Operating Temperature & Humidity	0°C~45°C (32°F~113°F) & 8~80%R
Outdoor Usage Certificate	IP 66
Approval	CE, FCC, RoHS

DIMENSIONS



Full HD Low-Light Vandal-Resistant
Dome Type IP Camera

iCanView367MPI



KEY FEATURES

- 2MP CMOS
- Dual Codec (H.264 / MJPEG)
- Multi Streaming w/ Max. 5
- Compact Design & Easy Installation
- Built-in D/N (TDN)
- PoE / DC12V
- Full Compatible Onvif Standard

VIDEO

iCanView367MPI	
Image Sensor	1/2.9" CMOS
Max. Resolution	1920x1080@30fps
canning Mode	Progressive Scan
Lens	2.8~12mm, F2.0
IRIS Control	DC Auto / Manual
Min. Illumination	Color : 0.12lux@F1.4
S/R Ratio	62dB or more
Day & Night	AUTO (Mechanical ICR), DAY, NIGHT
Sensitivity (F1.2, 30IRE, ICR B/W)	Intensifier Off - Intensifier Max. x128 -
Back Light Compensation	On/Off
White Balance	ATB (2,000K ~ 10,000K) / MANUAL / PUSH
Exposure	DC/ESC
WDR	On-15frame / Off-30frame
3D-DNR	Day : 0~20 / Night : 0~20
Intensifier	AUTO ON (Max. x128) / OFF
Digital Zoom	x1 ~ x12
DEFOG	OFF/AUTO
OSD/Language	Built-In Internally

NETWORK

Video Compression	H.264 / MJPEG
Multi-Video Streaming	Max. 5 (2MP, D1, CIF, Crop, Photo)
Streaming Method	RTSP Streaming with Proprietary Format for Control Information - Standard RTSP Streaming - HTTP Streaming
Bit Rate Control	Intelligent Hybrid Control (VBR + CBR)
Max. Frame Rate	30fps@2MP
2 Way-Audio	32Kbps G.726 ADPCM, 64Kbps 16bit μ -law PCM ~ MIC / Line-in 64Kbps 16bit μ -law PCM ~ Line-out
Network Protocols	IPv4/v6, TCP, UDP, IGMP, ICMP, ICMPv6, ARP, RARP, PPPoE, RTCP, RTP, RTSP, SDP, HTTP, HTTPS, SMTP, FTP, DHCP, UPnP, NTP, DNS, DynDNS
Security	User ID & Password Protection, IP Filtering, HTTPS, SSL Encryption, Digest Authentication, User Access Log, IEEE 802.1x
Edge Storage	Micro SD Card Slot
LAN	10/100 Base T LAN (Auto MDIX)

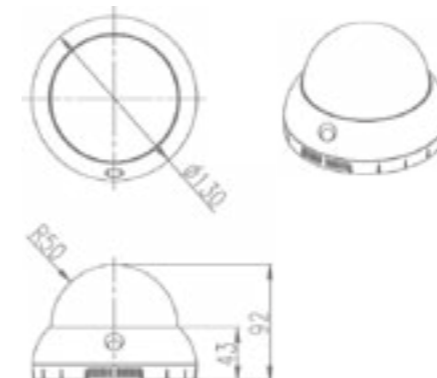
ALARM & EVENT

Trigger Event	Motion Detection, Audio Detection
Alarm I/O	1 Sensor Input & 1 Relay Output
Event Notification	E-mail (with JPEG), FTP, Push Alarm
Event Buffering (Pre & Post)	Pre-alarm : 5~15sec / Post-alarm : 10~60sec

POWER & ENVIRONMENTAL

Power Source	12VDC, PoE (IEEE802.3af)
Power Consumption	12W (12V, 1A)
Operating Temperature & Humidity	0°C~45°C (32°F~113°F) & 8~80%R
Outdoor Usage Certificate	IP 66
Approval	CE, FCC, RoHS

DIMENSIONS



Full HD Low-Light Vandal-Resistant
Mini Bullet Type IP Camera

iCanView387MPI



KEY FEATURES

- 2MP CMOS
- Dual Codec (H.264 / MJPEG)
- Multi Streaming w/ Max. 5
- Compact Design & Easy Installation
- Built-in D/N (TDN)
- PoE / DC12V
- Full Compatible Onvif Standard

VIDEO

iCanView387MPI	
Image Sensor	1/2.9" CMOS
Max. Resolution	1920x1080@30fps
canning Mode	Progressive Scan
Lens	3.7mm, F2.5
IRIS Control	DC Auto / Manual
Min. Illumination	Color : 0.12lux@F1.4
S/R Ratio	62dB or more
Day & Night	AUTO (Mechanical ICR), DAY, NIGHT
Sensitivity (F1.2, 30IRE, ICR B/W)	Intensifier Off - Intensifier Max. x128 -
Back Light Compensation	On/Off
White Balance	ATB (2,000K ~ 10,000K) / MANUAL / PUSH
Exposure	DC/ESC
WDR	On-15frame / Off-30frame
3D-DNR	Day : 0~20 / Night : 0~20
Intensifier	AUTO ON (Max. x128) / OFF
Digital Zoom	x1 ~ x12
DEFOG	OFF/AUTO
OSD/Language	Built-In Internally

NETWORK

Video Compression	H.264 / MJPEG
Multi-Video Streaming	Max. 5 (2MP, D1, CIF, Crop, Photo)
Streaming Method	RTSP Streaming with Proprietary Format for Control Information - Standard RTSP Streaming - HTTP Streaming
Bit Rate Control	Intelligent Hybrid Control (VBR + CBR)
Max. Frame Rate	30fps@2MP
2 Way-Audio	32Kbps G.726 ADPCM, 64Kbps 16bit μ -law PCM ~ MIC / Line-in 64Kbps 16bit μ -law PCM ~ Line-out
Network Protocols	IPv4/v6, TCP, UDP, IGMP, ICMP, ICMPv6, ARP, RARP, PPPoE, RTCP, RTP, RTSP, SDP, HTTP, HTTPS, SMTP, FTP, DHCP, UPnP, NTP, DNS, DynDNS
Security	User ID & Password Protection, IP Filtering, HTTPS, SSL Encryption, Digest Authentication, User Access Log, IEEE 802.1x
Edge Storage	Micro SD Card Slot
LAN	10/100 Base T LAN (Auto MDIX)

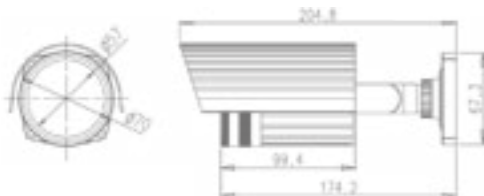
ALARM & EVENT

Trigger Event	Motion Detection, Audio Detection
Alarm I/O	1 Sensor Input & 1 Relay Output
Event Notification	E-mail (with JPEG), FTP, Push Alarm
Event Buffering (Pre & Post)	Pre-alarm : 5~15sec / Post-alarm : 10~60sec

POWER & ENVIRONMENTAL

Power Source	12VDC, PoE (IEEE802. 3af)
Power Consumption	12W (12V, 1A)
Operating Temperature & Humidity	0°C~45°C (32°F~113°F) & 8~80%R
Outdoor Usage Certificate	IP 66
Approval	CE, FCC, RoHS

DIMENSIONS



Full HD Low-Light Vandal-Resistant
Bullet Type IP Camera

iCanView389MPI



KEY FEATURES

- 2MP CMOS
- Dual Codec (H.264 / MJPEG)
- Multi Streaming w/ Max. 5
- Compact Design & Easy Installation
- Built-in D/N (TDN)
- PoE / DC12V
- Full Compatible Onvif Standard

VIDEO

iCanView389MPI	
Image Sensor	1/2.9" CMOS
Max. Resolution	1920x1080@30fps
canning Mode	Progressive Scan
Lens	2.8~12mm, F2.0
IRIS Control	DC Auto / Manual
Min. Illumination	Color : 0.12lux@F1.4
S/R Ratio	62dB or more
Day & Night	AUTO (Mechanical ICR), DAY, NIGHT
Sensitivity (F1.2, 30IRE, ICR B/W)	Intensifier Off - Intensifier Max. x128 -
Back Light Compensation	On/Off
White Balance	ATB (2,000K ~ 10,000K) / MANUAL / PUSH
Exposure	DC/ESC
WDR	On-15frame / Off-30frame
3D-DNR	Day : 0~20 / Night : 0~20
Intensifier	AUTO ON (Max. x128) / OFF
Digital Zoom	x1 ~ x12
DEFOG	OFF/AUTO
OSD/Language	Built-In Internally

NETWORK

Video Compression	H.264 / MJPEG
Multi-Video Streaming	Max. 5 (2MP, D1, CIF, Crop, Photo)
Streaming Method	RTSP Streaming with Proprietary Format for Control Information - Standard RTSP Streaming - HTTP Streaming
Bit Rate Control	Intelligent Hybrid Control (VBR + CBR)
Max. Frame Rate	30fps@2MP
2 Way-Audio	32Kbps G.726 ADPCM, 64Kbps 16bit μ -law PCM ~ MIC / Line-in 64Kbps 16bit μ -law PCM ~ Line-out
Network Protocols	IPv4/v6, TCP, UDP, IGMP, ICMP, ICMPv6, ARP, RARP, PPPoE, RTCP, RTP, RTSP, SDP, HTTP, HTTPS, SMTP, FTP, DHCP, UPnP, NTP, DNS, DynDNS
Security	User ID & Password Protection, IP Filtering, HTTPS, SSL Encryption, Digest Authentication, User Access Log, IEEE 802.1x
Edge Storage	Micro SD Card Slot
LAN	10/100 Base T LAN (Auto MDIX)

ALARM & EVENT

Trigger Event	Motion Detection, Audio Detection
Alarm I/O	1 Sensor Input & 1 Relay Output
Event Notification	E-mail (with JPEG), FTP, Push Alarm
Event Buffering (Pre & Post)	Pre-alarm : 5~15sec / Post-alarm : 10~60sec

POWER & ENVIRONMENTAL

Power Source	12VDC, PoE (IEEE802. 3af)
Power Consumption	12W (12V, 1A)
Operating Temperature & Humidity	0°C~45°C (32°F~113°F) & 8~80%R
Outdoor Usage Certificate	IP 66
Approval	CE, FCC, RoHS

DIMENSIONS

TBD

Dual Codec (H.264/MJPEG)
1CH Video Server

iCanSever611



KEY FEATURES

- Dual-codec (H.264 & MJPEG)
- Multi profile streaming
- Small form factor
 - Ultra compact design

VIDEO

iCanServer611	
Video Compression	H.264 / MJPEG
Max Video Resolution	720x576
Max. Frame Rate	30FPS
Audio In/Out	NA
Alarm In/Out	NA
PTZ Control	NA
Storage Interface	SD Card
Intelligent Video	Motion Detection
Trigger Event	NA

GENERAL

Power Source	12VDC
Approval	CE, FCC, RoHS

Dual Codec (H.264/MJPEG)
4CH Video Server

iCanSever642



KEY FEATURES

- 4ch video serve (H.264 video, ADPCM audio)
- Video resolution
 - Full D1, VGA, CIF, QCIF
 - Up to 120fps (NTSC), 100fps (PAL)
- Pentaplex Functionality
- 2-way audio communication
- USB back-up function

VIDEO

iCanServer642	
Video Compression	H.264 / MJPEG
Max Video Resolution	720x576
Max. Frame Rate	30FPS
Audio In/Out	4CH / 1 CH
Alarm In/Out	4CH / 1 CH
PTZ Control	Supported (RS-485)
Storage Interface	-
Intelligent Video	
Trigger Event	

GENERAL

Power Source	12VDC
Approval	CE, FCC, RoHS

Dual Codec (H.264/MJPEG)
1CH Video Server

iCanSever612



KEY FEATURES

- Dual-codec (H.264 & MJPEG)
- Multi profile streaming
- Digital PTZ, video crop
- Built-in standard PoE
- Two-way audio communication
- Small form factor
 - Ultra compact design
- Added convenience in the installation
 - Power output (12V) for analog camera (Power cable accessory provided)
 - BALUN
- Improved picture quality
 - Input to Y/C separation provided (S-Video)
- Video output : BNC and BALUN (twisted UTP cable)

VIDEO

iCanServer612	
Video Compression	H.264 / MJPEG
Max Video Resolution	720x576
Max. Frame Rate	30FPS
Audio In/Out	1CH / 1 CH
Alarm In/Out	1CH / 1 CH
PTZ Control	Supported (RS-485)
Storage Interface	SD Card
Intelligent Video	Motion Detection
Trigger Event	Intelligent Video + Sensor Input

GENERAL

Power Source	12VDC
Approval	CE, FCC, RoHS



SOFTWARE

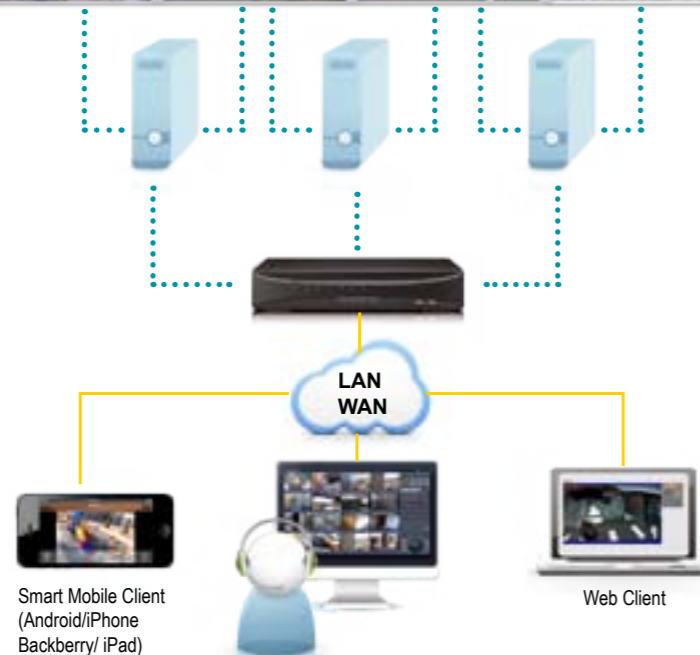
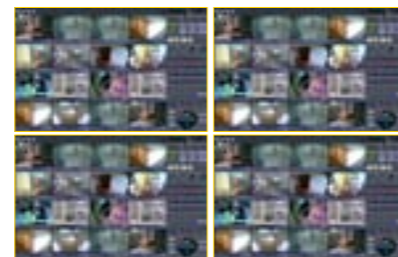
Centralized Video Management Solution NVR-PRO



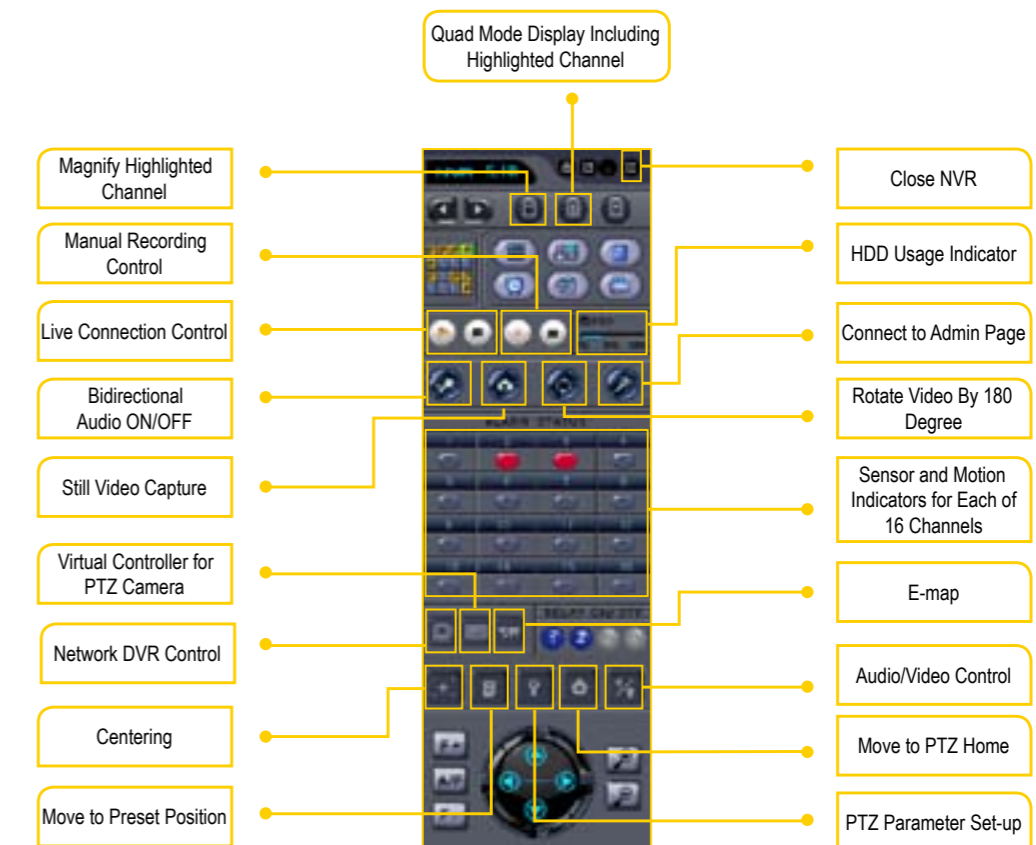
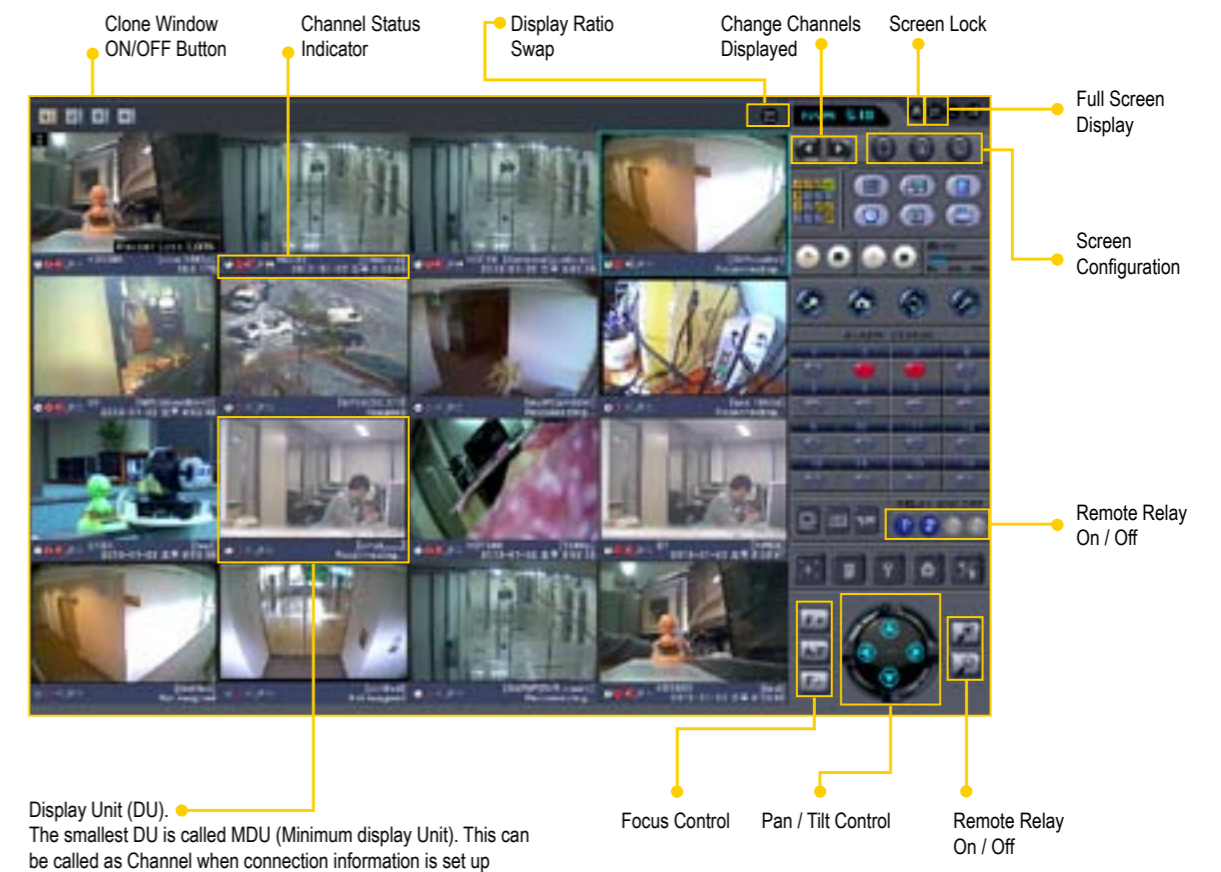
KEY FEATURES

- Simultaneous Viewing & Recording
- Separate playback Screen handing up to 16 Ch simultaneous playback without interrupting real-time monitoring
- Registration of up to 64Ch for Small & Medium Project
- Recommended Hardware specification
- Expandable to RAID Storage System
- Intuitive & User-Friendly GUI
- Various Recording Modes : Scheduled, Manual, Alarm, Motion Triggered.
- Separate Event Log Management
- Integrated Pan/Tilt/Zoom Control

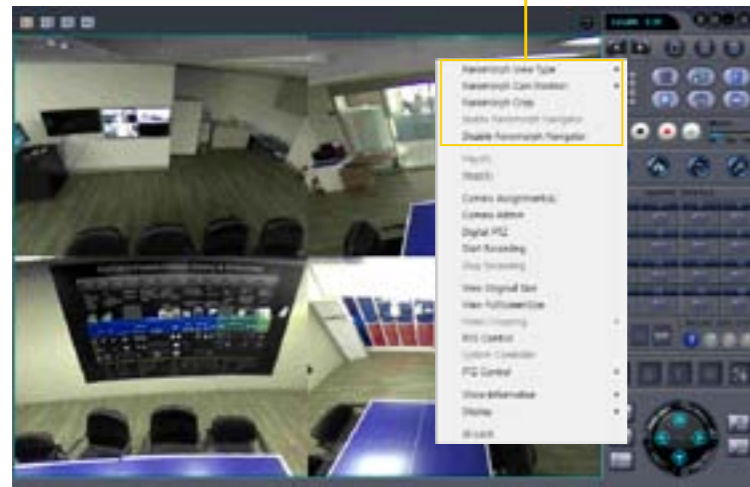
NVR-PRO, as Centralized Video Management Software, provides security managers with real-time live monitoring, recording, playback as well as advanced event management by combining and remotely managing the diversified network cameras and network video recorders.



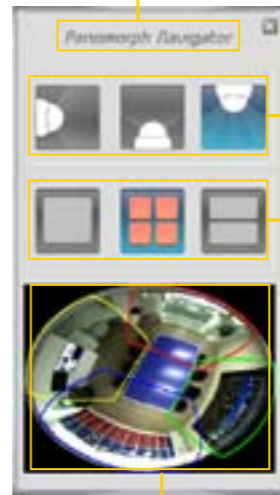
Functional Buttons and Indicators



Panomorph menu is enabled when play the "Mega Profile(Ch1)" of Panoramic Camera



Panomorph Navigator



Select the camera position.

Select the camera view type.

Indicate the guideline of each video image, it is available of Pan/Tilt/Zoom function.

Professional Smart&Easy Video Management Solution

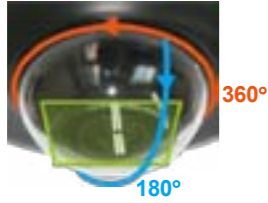


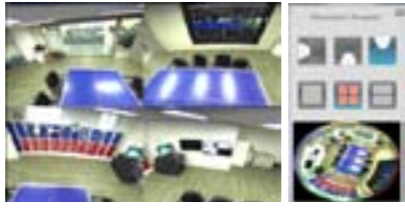



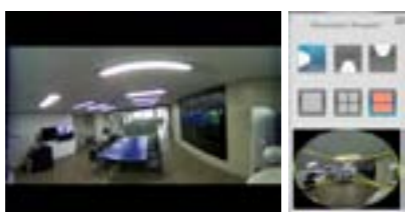
SOFTWARE

iCanTek's Network Based Surveillance Management Solution, as combined video management software for combining and managing diversified network devices, supports ;


- Video Monitoring, Recording, Playback, Network Configuration as well as Event Management etc.

Network Based Surveillance Management Solution is composed of

- Basic Web Viewer
- NVR-Pro for Remote Controlling and Monitoring
- Smart Mobile App


Item	Range	NVR-Pro	Description
PTZ mode			On one image screen, it is available of Pan/Tilt/Zoom function.
Quad mode			On each image, it is available of Pan/Tilt/Zoom function.
Perimeter mode			Two 180° image is made of 360° image and Panning function is available.
Perimeter mode (Wall)			As installing it on the wall, one 180° image is available on Perimeter mode.

VMS




[NVR-Pro]

WEB VIEWER



[Web Viewer]

SMART MOBILE APP



[iCanSmart]

These innovative technologies and solutions competitively enable the keyword of "Instant Audio / Video from Anywhere to Anything".

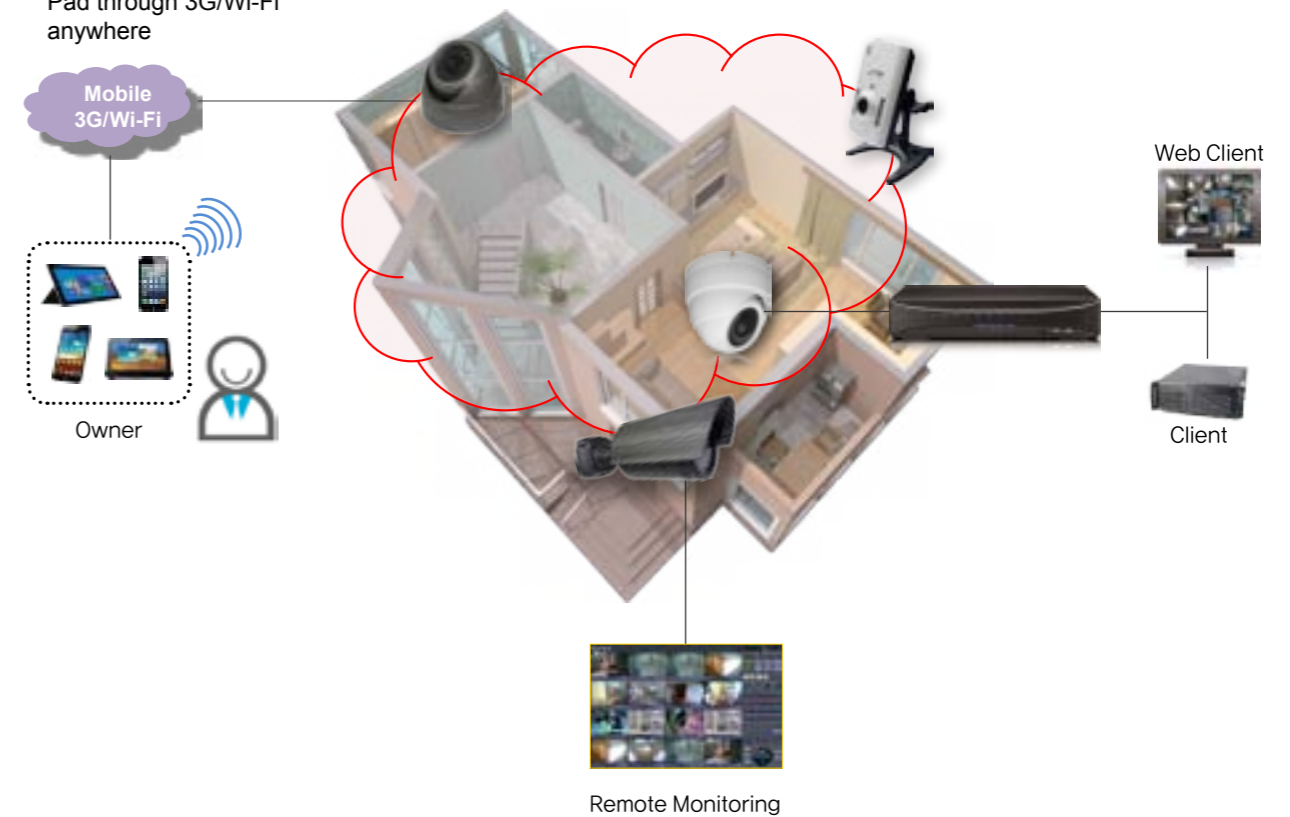


<http://www.icantek.com>

NETWORK VIDEO RECORDER

Network Video Recorder

Smartphone App
Access to IP Cameras
on Smart Phone and
Pad through 3G/Wi-Fi
anywhere



Easy to install IP Camera

- One Plug All IP
- Run Auto Configuration Wizard



Efficient CCTV Live streaming

- CCTV image information received unicast and multicast transport
- Video server / IP camera network traffic for distributed processing



Various multi codec

- H.264, MPEG4, MJPEG



Stable System

- Self-WatchDog
- Diagnosis



Customized Monitoring System

- QCMS
- 4/8/16 /30 CH of NVR
- HD SDI/ 960H monitoring



Friendly user Interface

- PTZ Control
- Notification from Alarm & Sensor



Quick search / Backup

- Bookmark search
- Calendar search
- AVI file



3rd Party System integration

- SDK & API
- GIS (E-MAP)
- ONVIF Profile-S

“One Plug, All IP” Full HD Network
Video Recorder

myNVRxx Series



KEY FEATURES

- H.264/MPEG4/MJPEG Codec Acceptable
- Manage Video & Audio from IP Camera incl. IP Speed Dome
- Max. 16Ch 1080P Decoding & Display
- Auto Searching & Setting IP Camera in LAN
- Network Access up to 25 users
- HDD*2 up to 6TB

VIDEO

	myNVR08(P)	myNVR04(P)
Camera Input	Max 8ch (4ch@1080p or 8ch@720p/D1)	Max 16ch (4ch@1080p or 4ch@720p/D1)
Output	16:9 Progressive	

AUDIO

Input via network/Output	8/1	4/1
--------------------------	-----	-----

SENSOR

Sensor In / Alarm Out	4/1	4/1
-----------------------	-----	-----

DISPLAY

HDMI Resolution	1920x1080P , 1920x1080i	
VGA Resolution	1024x768, 1280x720, 1280x1024, 1440x900, 1920x1080	
Split Display	1/4/9 way	1/4 way

RECORDING

	H.264 / MPEG4 / JPEG	
Resolution (Pixel)	1080P(1920x1080) / 720P(1280x720) / D1(720x480/720x576)	
Mode	Normal, Event(Alarm/Motion), Schedule	
Rec Frame	120fps@1080p 240fps@720p 240fps@D1	120fps@1080p 120fps@720p 120fps@D1

PLAYBACK

Split Display	1/4/9 way Split	1/4 way Split
Search Mode	Date & Time, Calendar, Event(Alarm/Motion), Bookmark	
Mode	Normal, REW(*1,*2,*4,*8,*16) & FF(*1,*2,*4,*8,*16,*32),Frame to Frame, Pause, Slow REW/FF91/2,1/4,1/8,1/16,1/32)	

NETWORK

Network Interface	Ethernet*2 (for IP Camera, Client PC)
Protocol	TCP/IP, SMTP, HTTP, DHCP, PPPoE(ADSL), RTP/RTSP
Serial Communication	RS-232 x1, RS-485 x2 (PTZ & Keyboard Control)
Application	Windows 2000 / XP(PC Client System) / Windows Vista
Web Browser	Internet Explorer 5.0 Higher (NVR Control or Monitoring)
Event Transport	E-mail notification when Event occurs
Viewing / User Access	PC Client, CMS, Mobile Viewer / Up to 25 users

ARCHIVE

Interface	USB 2.0x2 , e-SATA
Archive Device	Internal DVDRW, Network, USB Memory Stick, e-SATA Storage

EVENT

Motion Detection	Area : Programmable motion detection area for each camera Sensitivity : 10 Steps for each channel
Event Log	Up to 5000 events logs (Alarm, Motion, Video & Power Loss, Power & Record On/Off)

CONTROL

Controller	IR Remote Control / Mouse
PTZ Camera	Control From RS485 Interface / Via Network

OTHERS

Operating System	Embedded Linux OS
HDD/ODD	Support Max. 2 HDDs up to 6TB
Power Source	D12V/3.5A
Power Consumption	40W
Weight	3Kg(Net) / 4Kg(Gross)
Dimension	350(W)x250(D)x72(H)mm/Net , 400(W)x340(D)x150(H)mm/Box

“One Plug, All IP” Full HD Network
Video Recorder

myNVR2xx Series



KEY FEATURES

- H.264/MPEG4/MJPEG Codec Acceptable
- Manage Video & Audio from IP Camera incl. IP Speed Dome
- Max. 30Ch D1 / 16Ch 1080P Decoding & Display
- Auto Searching & Setting IP Camera in LAN

VIDEO

	myNVR230	myNVR216	NVR
Camera Input	Max 30ch (16ch@1080p or 30ch@720p/D1)	Max 16ch (16ch@1080p or 16ch@720p/D1)	Max 8ch (8ch@1080p or 8ch@720p/D1)
Output	1 HDMI , 1 VGA		

AUDIO

Input via network/Output	30/1	16/1	8/1
--------------------------	------	------	-----

SENSOR

Sensor In / Alarm Out	16/4	8/4	4/4
-----------------------	------	-----	-----

DISPLAY

HDMI Resolution	1920x1080P , 1920x1080i		
VGA Resolution	1024x768, 1280x720, 1280x1024, 1440x900, 1920x1080		
Split Display	1/4/9/16/30 way	1/4/9/16 way	1/4/9 way

RECORDING

	H.264 / MPEG4 / JPEG		
Resolution (Pixel)	1080P(1920x1080) / 720P(1280x720) / D1(720x480/720x576)		
Mode	Normal, Event(Alarm/Motion), Schedule		
Rec Frame	160fps@1080p 320fps@720p 640fps@D1	160fps@1080p 320fps@720p 480fps@D1	160fps@1080p 240fps@720p 240fps@D1

PLAYBACK

Split Display	1/4/9/16/30 way Split	1/4/9/16 way Split	1/4/9 way Split
Search Mode	Date & Time, Calendar, Event(Alarm/Motion), Bookmark		
Mode	Normal, REW(*1,*2,*4,*8,*16) & FF(*1,*2,*4,*8,*16,*32),Frame to Frame, Pause, Slow REW/FF91/2,1/4,1/8,1/16,1/32)		

NETWORK

Network Interface	Ethernet*3 (for IP Camera, Client PC & NAS)		
Protocol	TCP/IP, SMTP, HTTP, DHCP, PPPoE(ADSL), RTP/RTSP		
Serial Communication	RS-232 x1, RS-485 x2 (PTZ & Keyboard Control)		
Application	Windows 2000 / XP(PC Client System) / Windows Vista		
Web Browser	Internet Explorer 5.0 Higher (NVR Control or Monitoring)		
Event Transport	E-mail notification when Event occurs		
Viewing / User Access	PC Client, CMS, Mobile Viewer / Up to 25 users		

ARCHIVE

Interface	USB 2.0x2 , e-SATA		
Archive Device	Internal DVDRW, Network, USB Memory Stick, e-SATA Storage		

EVENT

Motion Detection	Area : Programmable motion detection area for each camera Sensitivity : 10 Steps for each channel		
Event Log	Up to 5000 events logs (Alarm, Motion, Video & Power Loss, Power & Record On/Off)		

CONTROL

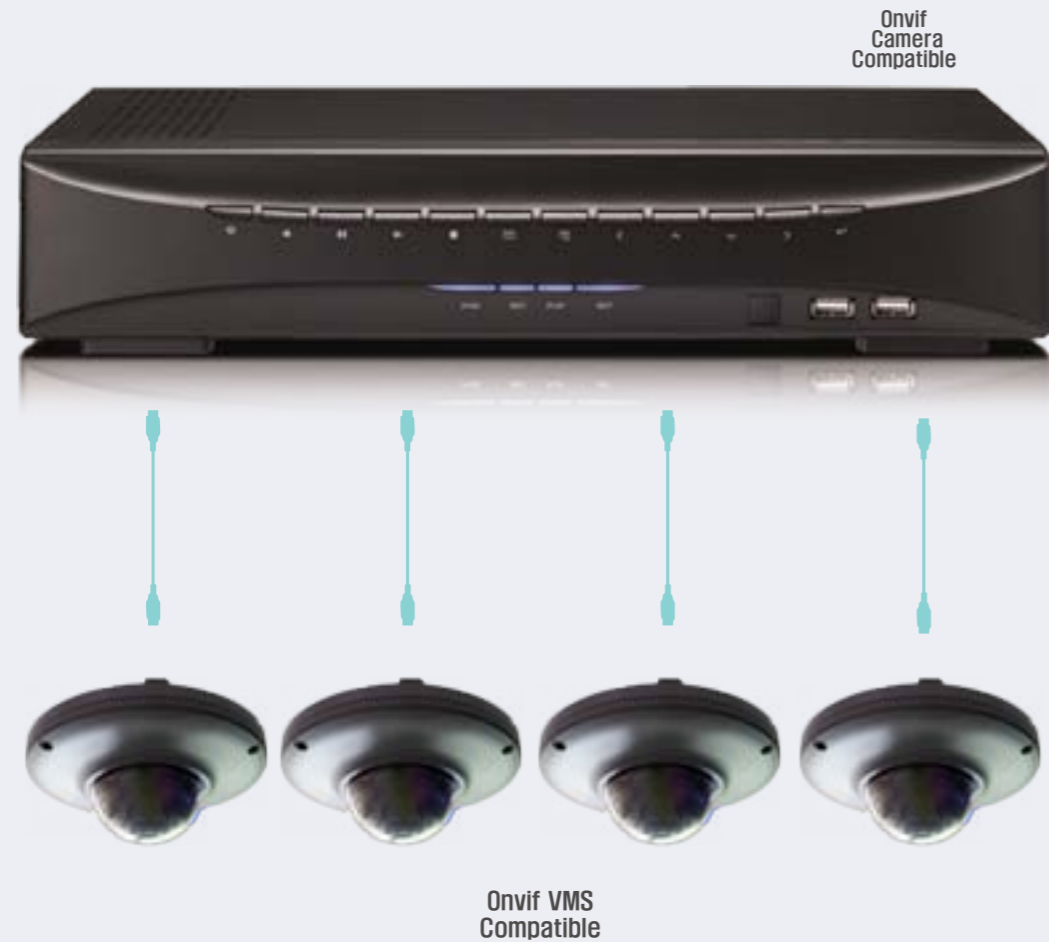
Controller	IR Remote Control / Mouse		
PTZ Camera	Control From RS485 Interface / Via Network		

OTHERS

Operating System	Embedded Linux OS		
HDD/ODD	Support Max. 5 HDDs up to 15TB / DVDRW x1		
Power Source	AC 100-240V, 50/60Hz		
Power Consumption	70W		
Weight	9Kg(Net) / 11Kg(Gross)		
Dimension	440(W)x420(D)x90(H)mm/Net, 550(W)x540(D)x220(H)mm/Box		

One Plug! All IP!

Plug & Play under 50 seconds Your perfect professional IP install solution



50 seconds POE NVR

- Various Compression Formats (H.264/MPEG4/MJPEG)
- 1Tera Full Multi Stream for Monitoring & Recording
- 1080P HD Recording & Display
- Network Access up to 25 users
- Dynamic Search Mode
- User Friendly Full HD GUI
- Support PoE (4ch:4 ports)
- Only compatible with ICANTEK IP cameras
- Free apps with support for viewing on Ipad, Iphone&Android
- HDD*2 Up to 6TB
- OnVIF Profile-S

IP Camera

- Dual Codec (H.264 & MJPEG)
- Progressive Scan (Full HD 2MP)
- Multi Profiles
(3 different streams per Resolution, Frame, Rate, Codec)
- Compact Design & Easy Installation
- OnVIF Profile-S

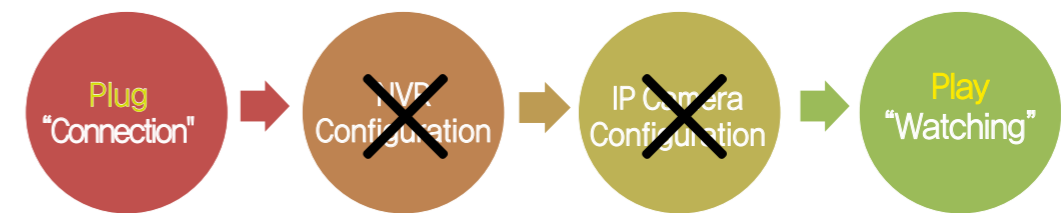
“One Plug, All IP” Description

“One Plug, All IP” surveillance solution is an ideal for business owners and high-end residential use to quickly and directly secure your home or small business. The huge advantage is remarkably easy setup the systems involves almost no configuration by simply running cables between IP cameras and VNR to work out of the box and you can monitor everything via smartphone, tablet or computer. Setting up “One Plug, All IP”, it couldn’t be easier.

Just run LAN cables between IP cameras and NVR.

Now you are ready to go. It is that easy! Once power is ON, NVR automatically searches for the IP cameras and create its own network without interfering your current network. All footage captured on your cameras can be directly sent to your smartphone, tablet and computer.

“One Plug, All IP” is fully supported between all IP Cameras (iCanView3xx Series) and NVR(myNVR Series).



No more hassle in building full HD IP surveillance system!
Our “One Plug, All IP” solution do it all.



Distinctive Features

- Highly advanced Motion Detection Alarm Features & Security Settings
- Nothing can escape from your Watching.
- Alarm Triggered Pre & Post - Recording w/ 10 Sec
- Against any alarm triggered event, you can see up to 10 seconds into the past and future to find out what the situation was like and be like before the event happened and after the event finished.



**HD-SDI CAMERA &
ANALOGUE CAMERA**

2MP HD-SDI PanCake Type Analogue Camera

iCanView321SDI



KEY FEATURES

- High Definition 2Mega Pixels HD-SDI
- 1/3" Progressive scan CMOS Sensor
- DSS(x120), TDN(ICR), OSD
- WDR, BLC, HLC, DEFOG
- 3D-DNR Noise Reduction function
- AWB, AGC, Flicker less

VIDEO

iCanView321SDI	
Signal System	Progressive Image Processing
Scanning Mode	16:9 Progressive
Image Sensor	1/3" Progressive CMOS Sensor
Max. Resolution	1944 x 1092 2.0 Mega Pixels, FULL HD
Horizontal Resolution	More than 1,100 TV Line
Video Output Level	Digital output HD-SDI / Select NTSC / PAL 1.0Vp-p (BNC 75Ω, composite)
Lens	3 Mega Fixed Lens(3.0mm or 3.5mm...)
Day & Night	AUTO (Mechanical ICR), DAY, NIGHT
Sensitivity (F1.2, 30 IRE, ICR B/W)	INTENSIFIER OFF - 1.0 Lux INTENSIFIER Max X128 - 0.1Lux
Back Light Compensation	On/Off
White Balance	ATW(2.000 K ~ 10,000 K) / MANUAL / PUSH
Exposure	DC / ESC
WDR	ON - 15 Frame / OFF - 30 Frame
3D-DNR	DAY : 0~20, NIGHT : 0~20
Intensifier	AUTO ON (Max X128) / OFF
Privacy Mask	ON / OFF (10 Programmable Zone)
Motion Detection	ON / OFF (4 Programmable Zone)
Digital Zoom	X1 ~ X12
Mirror	H / V / Rotate
Defog	OFF / AUTO
DSS	PAL : 1/25 ~ 1/30,000
HD Format	1920 x 1080P @50, 60 / YCbCr 4:2:2 16bit 74.25MHz
SDI Output	SMPTE 292M (1.485Gbps) : 1920x1080p 30Frame
	800mVp-p, 75Ω, unbalanced generator (single-ended)
CVBS Output (NTSC / PAL)	1CH Composite Video (1.0Vp-p / 75 ohm)
OSD / Language	BUILT IN Internally (English...)

POWER & ENVIRONMENTAL

Power Source	DC 12V(±10%)
Power Consumption	160mA / 2W (Max)
Approval	-10°C to +50°C / (Humidity) 30% to 80% RH

DIMENSIONS



2MP HD-SDI Dome Type Analogue Camera

iCanView327SDI



KEY FEATURES

- High Definition 2Mega Pixels HD-SDI
- 1/3" Progressive scan CMOS Sensor
- DSS(x120), TDN(ICR), OSD
- WDR, BLC, HLC, DEFOG
- 3D-DNR Noise Reduction function
- AWB, AGC, Flicker less

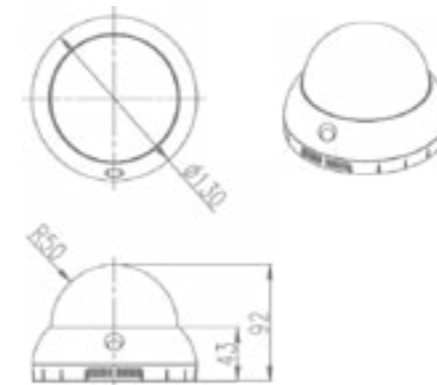
VIDEO

iCanView327SDI	
Signal System	Progressive Image Processing
Scanning Mode	16:9 Progressive
Image Sensor	1/3" Progressive CMOS Sensor
Max. Resolution	1944 x 1092 2.0 Mega Pixels, FULL HD
Horizontal Resolution	More than 1,100 TV Line
Video Output Level	Digital output HD-SDI / Select NTSC / PAL 1.0Vp-p (BNC 75Ω, composite)
Lens	3 Mega Fixed Lens (3.0mm or 3.5mm...)
Day & Night	AUTO (Mechanical ICR), DAY, NIGHT
Sensitivity (F1.2, 30 IRE, ICR B/W)	INTENSIFIER OFF - 1.0 Lux INTENSIFIER Max X128 - 0.1Lux
Back Light Compensation	On/Off
White Balance	ATW(2.000 K ~ 10,000 K) / MANUAL / PUSH
Exposure	DC / ESC
WDR	ON - 15 Frame / OFF - 30 Frame
3D-DNR	DAY : 0~20, NIGHT : 0~20
Intensifier	AUTO ON (Max X128) / OFF
Privacy Mask	ON / OFF (10 Programmable Zone)
Motion Detection	ON / OFF (4 Programmable Zone)
Digital Zoom	X1 ~ X12
Mirror	H / V / Rotate
Defog	OFF / AUTO
DSS	PAL : 1/25 ~ 1/30,000
HD Format	1920 x 1080P @50, 60 / YCbCr 4:2:2 16bit 74.25MHz
SDI Output	SMPTE 292M (1.485Gbps) : 1920x1080p 30Frame
	800mVp-p, 75Ω, unbalanced generator (single-ended)
CVBS Output (NTSC / PAL)	1CH Composite Video (1.0Vp-p / 75 ohm)
OSD / Language	BUILT IN Internally (English...)

POWER & ENVIRONMENTAL

Power Source	DC 12V(±10%)
Power Consumption	160mA / 2W (Max)
Approval	-10°C to +50°C / (Humidity) 30% to 80% RH

DIMENSIONS



2MP HD-SDI Vandal-Resistant
PanCake Type Analogue Camera

iCanView361SDI



KEY FEATURES

- High Definition 2Mega Pixels HD-SDI
- 1/3" Progressive scan CMOS Sensor
- DSS(x120), TDN(ICR), OSD
- WDR, BLC, HLC, DEFOG
- 3D-DNR Noise Reduction function
- AWB, AGC, Flicker less

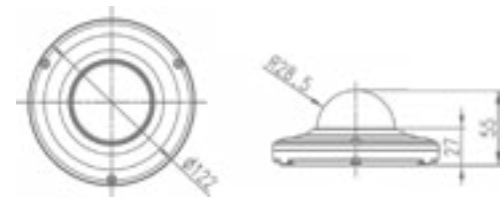
VIDEO

iCanView361SDI	
Signal System	Progressive Image Processing
Scanning Mode	16:9 Progressive
Image Sensor	1/3" Progressive CMOS Sensor
Max. Resolution	1944 x 1092 2.0 Mega Pixels, FULL HD
Horizontal Resolution	More than 1,100 TV Line
Video Output Level	Digital output HD-SDI / Select NTSC / PAL 1.0Vp-p (BNC 75Ω, composite)
Lens	3 Mega Fixed Lens (3.0mm or 3.5mm...)
Day & Night	AUTO (Mechanical ICR), DAY, NIGHT
Sensitivity (F1.2, 30 IRE, ICR B/W)	INTENSIFIER OFF - 1.0 Lux INTENSIFIER Max X128 - 0.1Lux
Back Light Compensation	On/Off
White Balance	ATW(2.000 K ~ 10,000 K) / MANUAL / PUSH
Exposure	DC / ESC
WDR	ON - 15 Frame / OFF - 30 Frame
3D-DNR	DAY : 0~20, NIGHT : 0~20
Intensifier	AUTO ON (Max X128) / OFF
Privacy Mask	ON / OFF (10 Programmable Zone)
Motion Detection	ON / OFF (4 Programmable Zone)
Digital Zoom	X1 ~ X12
Mirror	H / V / Rotate
Defog	OFF / AUTO
DSS	PAL : 1/25 ~ 1/30,000
HD Format	1920 x 1080P @50, 60 / YCbCr 4:2:2 16bit 74.25MHz
SDI Output	SMPTE 292M (1.485Gbps) : 1920x1080p 30Frame
	800mVp-p, 75Ω, unbalanced generator (single-ended)
CVBS Output (NTSC / PAL)	1CH Composite Video (1.0Vp-p / 75 ohm)
OSD / Language	BUILT IN Internally (English...)

POWER & ENVIRONMENTAL

Power Source	DC 12V (±10%)
Power Consumption	160mA / 2W (Max)
Approval	-10°C to +50°C / (Humidity) 30% to 80% RH

DIMENSIONS



2MP HD-SDI Vandal-Resistant
Dome Type Analogue Camera

iCanView367SDI



KEY FEATURES

- High Definition 2Mega Pixels HD-SDI
- 1/3" Progressive scan CMOS Sensor
- DSS(x120), TDN(ICR), OSD
- WDR, BLC, HLC, DEFOG
- 3D-DNR Noise Reduction function
- AWB, AGC, Flicker less

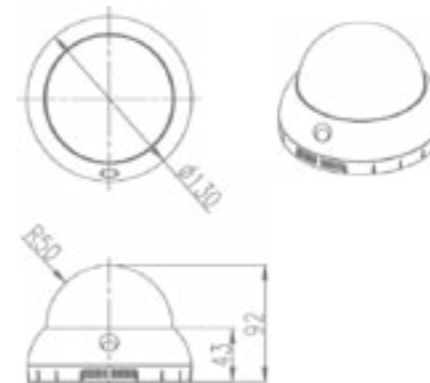
VIDEO

iCanView367SDI	
Signal System	Progressive Image Processing
Scanning Mode	16:9 Progressive
Image Sensor	1/3" Progressive CMOS Sensor
Max. Resolution	1944 x 1092 2.0 Mega Pixels, FULL HD
Horizontal Resolution	More than 1,100 TV Line
Video Output Level	Digital output HD-SDI / Select NTSC / PAL 1.0Vp-p (BNC 75Ω, composite)
Lens	DC Varifocal (3.0mm or 3.5mm...)
Day & Night	AUTO (Mechanical ICR), DAY, NIGHT
Sensitivity (F1.2, 30 IRE, ICR B/W)	INTENSIFIER OFF - 1.0 Lux INTENSIFIER Max X128 - 0.1Lux
Back Light Compensation	On/Off
White Balance	ATW(2.000 K ~ 10,000 K) / MANUAL / PUSH
Exposure	DC / ESC
WDR	ON - 15 Frame / OFF - 30 Frame
3D-DNR	DAY : 0~20, NIGHT : 0~20
Intensifier	AUTO ON (Max X128) / OFF
Privacy Mask	ON / OFF (10 Programmable Zone)
Motion Detection	ON / OFF (4 Programmable Zone)
Digital Zoom	X1 ~ X12
Mirror	H / V / Rotate
Defog	OFF / AUTO
DSS	PAL : 1/25 ~ 1/30,000
HD Format	1920 x 1080P @50, 60 / YCbCr 4:2:2 16bit 74.25MHz
SDI Output	SMPTE 292M (1.485Gbps) : 1920x1080p 30Frame
	800mVp-p, 75Ω, unbalanced generator (single-ended)
CVBS Output (NTSC / PAL)	1CH Composite Video (1.0Vp-p / 75 ohm)
OSD / Language	BUILT IN Internally (English...)

POWER & ENVIRONMENTAL

Power Source	DC 12V (±10%)
Power Consumption	160mA / 2W (Max)
Approval	-10°C to +50°C / (Humidity) 30% to 80% RH

DIMENSIONS



2MP HD-SDI Vandal-Resistant Mini
Bullet Type Analogue Camera

iCanView387SDI



KEY FEATURES

- High Definition 2Mega Pixels HD-SDI
- 1/3" Progressive scan CMOS Sensor
- DSS(x120), TDN(ICR), OSD
- WDR, BLC, HLC, DEFOG
- 3D-DNR Noise Reduction function
- AWB, AGC, Flicker less

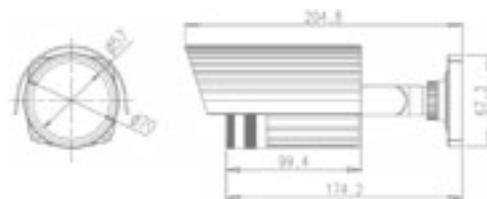
VIDEO

iCanView387SDI	
Signal System	Progressive Image Processing
Scanning Mode	16:9 Progressive
Image Sensor	1/3" Progressive CMOS Sensor
Max. Resolution	1944 x 1092 2.0 Mega Pixels, FULL HD
Horizontal Resolution	More than 1,100 TV Line
Video Output Level	Digital output HD-SDI / Select NTSC / PAL 1.0Vp-p (BNC 75Ω, composite)
Lens	3 Mega Fixed Lens (3.0mm or 3.5mm...)
Day & Night	AUTO (Mechanical ICR), DAY, NIGHT
Sensitivity (F1.2, 30 IRE, ICR B/W)	INTENSIFIER OFF - 1.0 Lux INTENSIFIER Max X128 - 0.1Lux
Back Light Compensation	On/Off
White Balance	ATW(2,000 K ~ 10,000 K) / MANUAL / PUSH
Exposure	DC / ESC
WDR	ON - 15 Frame / OFF - 30 Frame
3D-DNR	DAY : 0~20, NIGHT : 0~20
Intensifier	AUTO ON (Max X128) / OFF
Privacy Mask	ON / OFF (10 Programmable Zone)
Motion Detection	ON / OFF (4 Programmable Zone)
Digital Zoom	X1 ~ X12
Mirror	H / V / Rotate
Defog	OFF / AUTO
DSS	PAL : 1/25 ~ 1/30,000
HD Format	1920 x 1080P @50, 60 / YCbCr 4:2:2 16bit 74.25MHz SMPTE 292M (1.485Gbps) : 1920x1080p 30Frame
SDI Output	800mVp-p, 75Ω, unbalanced generator (single-ended)
CVBS Output (NTSC / PAL)	1CH Composite Video (1.0Vp-p / 75 ohm)
OSD / Language	BUILT IN Internally (English...)

POWER & ENVIRONMENTAL

Power Source	DC 12V (±10%)
Power Consumption	160mA / 2W (Max)
Approval	-10°C to +50°C / (Humidity) 30% to 80% RH

DIMENSIONS



2MP HD-SDI Vandal-Resistant
Bullet Type Analogue Camera

iCanView389SDI



KEY FEATURES

- High Definition 2Mega Pixels HD-SDI
- 1/3" Progressive scan CMOS Sensor
- DSS(x120), TDN(ICR), OSD
- WDR, BLC, HLC, DEFOG
- 3D-DNR Noise Reduction function
- AWB, AGC, Flicker less

VIDEO

iCanView389SDI	
Signal System	Progressive Image Processing
Scanning Mode	16:9 Progressive
Image Sensor	1/3" Progressive CMOS Sensor
Max. Resolution	1944 x 1092 2.0 Mega Pixels, FULL HD
Horizontal Resolution	More than 1,100 TV Line
Video Output Level	Digital output HD-SDI / Select NTSC / PAL 1.0Vp-p (BNC 75Ω, composite)
Lens	DC Varifocal (3.0mm or 3.5mm...)
Day & Night	AUTO (Mechanical ICR), DAY, NIGHT
Sensitivity (F1.2, 30 IRE, ICR B/W)	INTENSIFIER OFF - 1.0 Lux INTENSIFIER Max X128 - 0.1Lux
Back Light Compensation	On/Off
White Balance	ATW(2,000 K ~ 10,000 K) / MANUAL / PUSH
Exposure	DC / ESC
WDR	ON - 15 Frame / OFF - 30 Frame
3D-DNR	DAY : 0~20, NIGHT : 0~20
Intensifier	AUTO ON (Max X128) / OFF
Privacy Mask	ON / OFF (10 Programmable Zone)
Motion Detection	ON / OFF (4 Programmable Zone)
Digital Zoom	X1 ~ X12
Mirror	H / V / Rotate
Defog	OFF / AUTO
DSS	PAL : 1/25 ~ 1/30,000
HD Format	1920 x 1080P @50, 60 / YCbCr 4:2:2 16bit 74.25MHz SMPTE 292M (1.485Gbps) : 1920x1080p 30Frame
SDI Output	800mVp-p, 75Ω, unbalanced generator (single-ended)
CVBS Output (NTSC / PAL)	1CH Composite Video (1.0Vp-p / 75 ohm)
OSD / Language	BUILT IN Internally (English...)

POWER & ENVIRONMENTAL

Power Source	DC 12V (±10%)
Power Consumption	160mA / 2W (Max)
Approval	-10°C to +50°C / (Humidity) 30% to 80% RH

DIMENSIONS

TBD

2MP HD-SDI Vandal-Resistant
Dome Type Analogue Camera
iCanView321AH



KEY FEATURES

- High Definition 2Mega Pixels HD-SDI
- 1/3" Progressive scan CMOS Sensor
- DSS(x120), TDN(ICR), OSD
- WDR, BLC, HLC, DEFOG
- 3D-DNR Noise Reduction function
- AWB, AGC, Flicker less

VIDEO

iCanView321AH	
Max. Resolution	976 X 494
Image Sensor	1/3 interline CCD
Video Output	Composite Video (1.0Vp-p / 75 ohm)
Lens	Fixed Lens (3.6mm)
Exposure	DC / ESC
Electric Shutter Speed	1/60 ~ 1/120.000
Manual Shutter	1/60(1/50), 1/120(1/100), 1/250, 1/500, 1/700, 1/1K, 1/1.6K, 1/2.5K, 1/5K, 1/7K, 1/10K, 1/30K, 1/60K, 1/120K
Sensitivity (F1.2, 30 IRE, ICR B/W)	INTENSIFIER OFF - 0.005 Lux INTENSIFIER Max X512 - 0.00005 Lux
Sync. System	Internal Sync
S/N Ratio	52dB Min (AGC off)
Horizontal Resolution	700 TV Line
D-WDR	LOW, MIDDLE, HIGH, OFF
Day & Night	AUTO, DAY, NIGHT, EXTERNAL, IRED
2D/3DNR	LOW, MIDDLE, HIGH, OFF
Intensifier	X2 ~ X512 (Default x32)
Back Light Compensation	OFF, LOW, MIDDLE, HIGH
HLC / Defog	OFF, LOW, MIDDLE, HIGH
POSI / NEGA	OFF, ON
White Balance	ATW / MANUAL / PUSH
AGC	OFF, ON (1~20)
Motion Detection	ON / OFF (4 Programmable Zone)
Privacy	ON / OFF (8 Programmable Zone)
Mirror	HORIZONTAL
Lens Shading	0 ~ 20
Sharpness	1 ~ 20
Gamma	0.35/ 0.40/ 0.45/ 0.5/ 0.55/ 0.6/ 0.65/ 0.70
Communication Protocol	COAXIAL (Pelco-C)
OSD Language	ENGLISH , KOREAN, JAPANESE, CHINESE1/ 2, SPANISH, GERMAN, FRENCH, POLISH, ITALIAN, PORTUGUESE, CZECH, RUSSIAN, TURKISH, HUNGARIAN, GREEK

POWER & ENVIRONMENTAL

Supply Voltage	DC 12V(-10% ~ +10%)
Power Consumption	120mA / 1.5W (Max)
Operating Temperature	-10°C to +50°C / (Humidity) 30% to 80% RH

DIMENSIONS



960H Intensifier Dome Type
Analogue Camera
iCanView327AH



KEY FEATURES

- Ultra High Resolution : 700 TV LinesDSS(x512), TDN(ICR), OSD
- D-WDR, BLC, HLC, DEFOG
- 3D-DNR Noise Reduction function
- AWB, AGC, Flicker less
- Extra Video Out Port for Installer

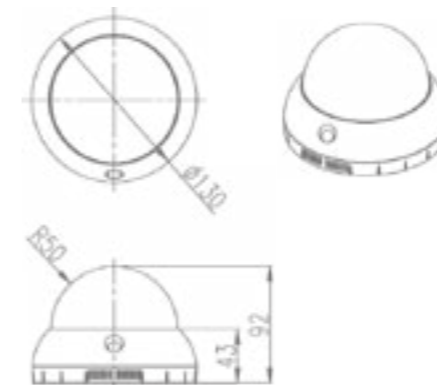
VIDEO

iCanView327AH	
Max. Resolution	976 X 494
Image Sensor	1/3 interline CCD
Video Output	Composite Video (1.0Vp-p / 75 ohm)
Lens	DC Varifocal Lens (2.8mm ~12mm)
Exposure	DC / ESC
Electric Shutter Speed	1/60 ~ 1/120.000
Manual Shutter	1/60(1/50), 1/120(1/100), 1/250, 1/500, 1/700, 1/1K, 1/1.6K, 1/2.5K, 1/5K, 1/7K, 1/10K, 1/30K, 1/60K, 1/120K
Sensitivity (F1.2, 30 IRE, ICR B/W)	INTENSIFIER OFF - 0.005 Lux INTENSIFIER Max X512 - 0.00005 Lux
Sync. System	Internal Sync
S/N Ratio	52dB Min (AGC off)
Horizontal Resolution	700 TV Line
D-WDR	LOW, MIDDLE, HIGH, OFF
Day & Night	AUTO, DAY, NIGHT, EXTERNAL, IRED
2D/3DNR	LOW, MIDDLE, HIGH, OFF
Intensifier	X2 ~ X512 (Default x32)
Back Light Compensation	OFF, LOW, MIDDLE, HIGH
HLC / Defog	OFF, LOW, MIDDLE, HIGH
POSI / NEGA	OFF, ON
White Balance	ATW / MANUAL / PUSH
AGC	OFF, ON (1~20)
Motion Detection	ON / OFF (4 Programmable Zone)
Privacy	ON / OFF (8 Programmable Zone)
Mirror	HORIZONTAL
Lens Shading	0 ~ 20
Sharpness	1 ~ 20
Gamma	0.35/ 0.40/ 0.45/ 0.5/ 0.55/ 0.6/ 0.65/ 0.70
Communication Protocol	COAXIAL (Pelco-C)
OSD Language	ENGLISH , KOREAN, JAPANESE, CHINESE1/ 2, SPANISH, GERMAN, FRENCH, POLISH, ITALIAN, PORTUGUESE, CZECH, RUSSIAN, TURKISH, HUNGARIAN, GREEK

POWER & ENVIRONMENTAL

Supply Voltage	DC 12V(-10% ~ +10%)
Power Consumption	120mA / 1.5W (Max)
Operating Temperature	-10°C to +50°C / (Humidity) 30% to 80% RH

DIMENSIONS



960H Intensifier Vandal-Resistant
PanCake Type Analogue Camera
iCanView361AH



KEY FEATURES

- Ultra High Resolution : 700 TV LinesDSS(x512), TDN(ICR), OSD
- D-WDR, BLC, HLC, DEFOG
- 3D-DNR Noise Reduction function
- AWB, AGC, Flicker less
- Extra Video Out Port for Installer

VIDEO

iCanView361AH	
Max. Resolution	976 X 494
Image Sensor	1/3 interline CCD
Video Output	Composite Video (1.0Vp-p / 75 ohm)
Lens	Fixed Lens (3.6mm)
Exposure	DC / ESC
Electric Shutter Speed	1/60 ~ 1/120.000
Manual Shutter	1/60(1/50), 1/120(1/100), 1/250, 1/500, 1/700, 1/1K, 1/1.6K, 1/2.5K, 1/5K, 1/7K, 1/10K, 1/30K, 1/60K, 1/120K
Sensitivity (F1.2, 30 IRE, ICR B/W)	INTENSIFIER OFF - 0.005 Lux INTENSIFIER Max X512 - 0.00005 Lux
Sync. System	Internal Sync
S/N Ratio	52dB Min (AGC off)
Horizontal Resolution	700 TV Line
D-WDR	LOW, MIDDLE, HIGH, OFF
Day & Night	AUTO, DAY, NIGHT, EXTERNAL, IRED
2D/3DNR	LOW, MIDDLE, HIGH, OFF
Intensifier	X2 ~ X512 (Default x32)
Back Light Compensation	OFF, LOW, MIDDLE, HIGH
HLC / Defog	OFF, LOW, MIDDLE, HIGH
POSI / NEGA	OFF, ON
White Balance	ATW / MANUAL / PUSH
AGC	OFF, ON (1~20)
Motion Detection	ON / OFF (4 Programmable Zone)
Privacy	ON / OFF (8 Programmable Zone)
Mirror	HORIZONTAL
Lens Shading	0 ~ 20
Sharpness	1 ~ 20
Gamma	0.35/ 0.40/ 0.45/ 0.5/ 0.55/ 0.6/ 0.65/ 0.70
Communication Protocol	COAXIAL (Pelco-C)
OSD Language	ENGLISH , KOREAN, JAPANESE, CHINESE1/ 2, SPANISH, GERMAN, FRENCH, POLISH, ITALIAN, PORTUGUESE, CZECH, RUSSIAN, TURKISH, HUNGARIAN, GREEK

POWER & ENVIRONMENTAL

Supply Voltage	DC 12V (-10% ~ +10%)
Power Consumption	120mA / 1.5W (Max)
Operating Temperature	-10°C to +50°C / (Humidity) 30% to 80% RH

DIMENSIONS



960H Intensifier Vandal-Resistant
Dome Type Analogue Camera
iCanView367AH



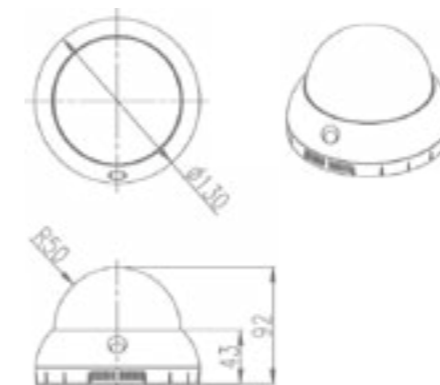
KEY FEATURES

- Ultra High Resolution : 700 TV LinesDSS(x512), TDN(ICR), OSD
- D-WDR, BLC, HLC, DEFOG
- 3D-DNR Noise Reduction function
- AWB, AGC, Flicker less
- Extra Video Out Port for Installer

VIDEO

iCanView367AH	
Max. Resolution	976 X 494
Image Sensor	1/3 interline CCD
Video Output	Composite Video (1.0Vp-p / 75 ohm)
Lens	DC Varifocal Lens (2.8mm ~12mm)
Exposure	DC / ESC
Electric Shutter Speed	1/60 ~ 1/120.000
Manual Shutter	1/60(1/50), 1/120(1/100), 1/250, 1/500, 1/700, 1/1K, 1/1.6K, 1/2.5K, 1/5K, 1/7K, 1/10K, 1/30K, 1/60K, 1/120K
Sensitivity (F1.2, 30 IRE, ICR B/W)	INTENSIFIER OFF - 0.005 Lux INTENSIFIER Max X512 - 0.00005 Lux
Sync. System	Internal Sync
S/N Ratio	52dB Min (AGC off)
Horizontal Resolution	700 TV Line
D-WDR	LOW, MIDDLE, HIGH, OFF
Day & Night	AUTO, DAY, NIGHT, EXTERNAL, IRED
2D/3DNR	LOW, MIDDLE, HIGH, OFF
Intensifier	X2 ~ X512 (Default x32)
Back Light Compensation	OFF, LOW, MIDDLE, HIGH
HLC / Defog	OFF, LOW, MIDDLE, HIGH
POSI / NEGA	OFF, ON
White Balance	ATW / MANUAL / PUSH
AGC	OFF, ON (1~20)
Motion Detection	ON / OFF (4 Programmable Zone)
Privacy	ON / OFF (8 Programmable Zone)
Mirror	HORIZONTAL
Lens Shading	0 ~ 20
Sharpness	1 ~ 20
Gamma	0.35/ 0.40/ 0.45/ 0.5/ 0.55/ 0.6/ 0.65/ 0.70
Communication Protocol	COAXIAL (Pelco-C)
OSD Language	ENGLISH , KOREAN, JAPANESE, CHINESE1/ 2, SPANISH, GERMAN, FRENCH, POLISH, ITALIAN, PORTUGUESE, CZECH, RUSSIAN, TURKISH, HUNGARIAN, GREEK

DIMENSIONS



POWER & ENVIRONMENTAL

Supply Voltage	DC 12V (-10% ~ +10%)
Power Consumption	120mA / 1.5W (Max)
Operating Temperature	-10°C to +50°C / (Humidity) 30% to 80% RH

960H Intensifier Vandal-Resistant
Mini Bullet Type Analogue Camera
iCanView387AH



KEY FEATURES

- Ultra High Resolution : 700 TV LinesDSS(x512), TDN(ICR), OSD
- D-WDR, BLC, HLC, DEFOG
- 3D-DNR Noise Reduction function
- AWB, AGC, Flicker less
- Extra Video Out Port for Installer

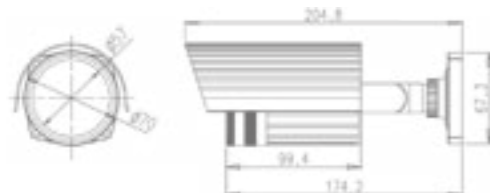
VIDEO

iCanView387AH	
Max. Resolution	976 X 494
Image Sensor	1/3 interline CCD
Video Output	Composite Video (1.0Vp-p / 75 ohm)
Lens	Fixed Lens (3.6mm)
Exposure	DC / ESC
Electric Shutter Speed	1/60 ~ 1/120.000
Manual Shutter	1/60(1/50), 1/120(1/100), 1/250, 1/500, 1/700, 1/1K, 1/1.6K, 1/2.5K, 1/5K, 1/7K, 1/10K, 1/30K, 1/60K, 1/120K
Sensitivity (F1.2, 30 IRE, ICR B/W)	INTENSIFIER OFF - 0.005 Lux INTENSIFIER Max X512 - 0.00005 Lux
Sync. System	Internal Sync
S/N Ratio	52dB Min (AGC off)
Horizontal Resolution	700 TV Line
D-WDR	LOW, MIDDLE, HIGH, OFF
Day & Night	AUTO, DAY, NIGHT, EXTERNAL, IRED
2D/3DNR	LOW, MIDDLE, HIGH, OFF
Intensifier	X2 ~ X512 (Default x32)
Back Light Compensation	OFF, LOW, MIDDLE, HIGH
HLC / Defog	OFF, LOW, MIDDLE, HIGH
POSI / NEGA	OFF, ON
White Balance	ATW / MANUAL / PUSH
AGC	OFF, ON (1~20)
Motion Detection	ON / OFF (4 Programmable Zone)
Privacy	ON / OFF (8 Programmable Zone)
Mirror	HORIZONTAL
Lens Shading	0 ~ 20
Sharpness	1 ~ 20
Gamma	0.35/ 0.40/ 0.45/ 0.5/ 0.55/ 0.6/ 0.65/ 0.70
Communication Protocol	COAXIAL (Pelco-C)
OSD Language	ENGLISH , KOREAN, JAPANESE, CHINESE1/ 2, SPANISH, GERMAN, FRENCH, POLISH, ITALIAN, PORTUGUESE, CZECH, RUSSIAN, TURKISH, HUNGARIAN, GREEK

POWER & ENVIRONMENTAL

Supply Voltage	DC 12V (-10% ~ +10%)
Power Consumption	120mA / 1.5W (Max)
Operating Temperature	-10°C to +50°C / (Humidity) 30% to 80% RH

DIMENSIONS



960H Intensifier Vandal-Resistant
Dome Type Analogue Camera
iCanView389AH



KEY FEATURES

- Ultra High Resolution : 700 TV LinesDSS(x512), TDN(ICR), OSD
- D-WDR, BLC, HLC, DEFOG
- 3D-DNR Noise Reduction function
- AWB, AGC, Flicker less
- Extra Video Out Port for Installer

VIDEO

iCanView389AH	
Max. Resolution	976 X 494
Image Sensor	1/3 interline CCD
Video Output	Composite Video (1.0Vp-p / 75 ohm)
Lens	DC Varifocal Lens (2.8mm ~12mm)
Exposure	DC / ESC
Electric Shutter Speed	1/60 ~ 1/120.000
Manual Shutter	1/60(1/50), 1/120(1/100), 1/250, 1/500, 1/700, 1/1K, 1/1.6K, 1/2.5K, 1/5K, 1/7K, 1/10K, 1/30K, 1/60K, 1/120K
Sensitivity (F1.2, 30 IRE, ICR B/W)	INTENSIFIER OFF - 0.005 Lux INTENSIFIER Max X512 - 0.00005 Lux
Sync. System	Internal Sync
S/N Ratio	52dB Min (AGC off)
Horizontal Resolution	700 TV Line
D-WDR	LOW, MIDDLE, HIGH, OFF
Day & Night	AUTO, DAY, NIGHT, EXTERNAL, IRED
2D/3DNR	LOW, MIDDLE, HIGH, OFF
Intensifier	X2 ~ X512 (Default x32)
Back Light Compensation	OFF, LOW, MIDDLE, HIGH
HLC / Defog	OFF, LOW, MIDDLE, HIGH
POSI / NEGA	OFF, ON
White Balance	ATW / MANUAL / PUSH
AGC	OFF, ON (1~20)
Motion Detection	ON / OFF (4 Programmable Zone)
Privacy	ON / OFF (8 Programmable Zone)
Mirror	HORIZONTAL
Lens Shading	0 ~ 20
Sharpness	1 ~ 20
Gamma	0.35/ 0.40/ 0.45/ 0.5/ 0.55/ 0.6/ 0.65/ 0.70
Communication Protocol	COAXIAL (Pelco-C)
OSD Language	ENGLISH , KOREAN, JAPANESE, CHINESE1/ 2, SPANISH, GERMAN, FRENCH, POLISH, ITALIAN, PORTUGUESE, CZECH, RUSSIAN, TURKISH, HUNGARIAN, GREEK

DIMENSIONS

TBD

POWER & ENVIRONMENTAL

Supply Voltage	DC 12V (-10% ~ +10%)
Power Consumption	120mA / 1.5W (Max)
Operating Temperature	-10°C to +50°C / (Humidity) 30% to 80% RH

**CAMERA
ACCESSORIES**

VIDEO
SERVER

NETWORK
CAMERA






IP

NVR-Pro

INTERNET

INTERNET

**CAMERA
ACCESSORIES**



				
mD-100 [iCanView36x(MP)]	mD-101M [iCanView270/372]	mD-101 [iCanView35x(MP)]	mD-103 [iCanView34x(MP)]	mD-104 [iCanView270/372]
Embedded mount bracket	Embedded mount bracket	Indoor Embedded mount bracket for flush type	Outdoor Housing with Fan & Heater and mD-104	Wall mount bracket, IP166

				
mD-107	mD-109	mD-M300F [iCanView36x(MP)]	mD-302TCAM [iCanView36x(MP)]	mD-301TCAM [iCanView36x(MP)]
Corner mount adaptor only for mD-103/104	Pole mount adaptor only for mD-103/104	Embedded ceiling mounts bracket	Wall mount bracket	Ceiling mount bracket

				
mD-301 [iCanView35x(MP)]	mD-302 [iCanView35x(MP)]	mD-303	mD-304 [iCanView34x(MP), 372]	mD-305 [iCanView34x(MP), 372]
Ceiling bracket kits for indoor Speed Dome with mD-303	Wall bracket kits for Indoor Speed Dome with mD-303	Indoor Ceiling Cap Only for mD-301/302	Ceiling Bracket kits for outdoor Speed Dome with mD-306	Wall Bracket kits for outdoor Speed Dome with mD-306

				
mD-306	mD-307	mD-308	mD-309	mD-310
Ceiling Cap for Outdoor Speed Dome Only for mD-304/305	Junction box kits including PCB and Cable Only for mD-301/302/304/305	Junction box only without PCB and Cable Only for mD-301/302/304/305	Pole mount adaptor Only for mD-301/302/304/305	Corner mount adaptor Only for mD-301/302/304/305

				
mD-304R [iCanView31x]	mD-305R [iCanView31x]	mD-306R [iCanView31x]	mD-307R	mD-308R
Ceiling Bracket kits for outdoor Speed Dome with mD-306R	Wall Bracket kits for outdoor Speed Dome with mD-306R	Ceiling Cap for Outdoor Speed Dome Only for mD-304R/305R	Junction box kits including PCB and Cable Only for mD-30xR	Junction box only without PCB and Cable Only for mD-30xR

	
mD-309R	mD-310R
Pole mount adaptor Only for mD-30xR	Corner mount adaptor Only for mD-30xR



PA-1	PA-2	PA-3	PA-4
-Power Adapter , 24VAC, 2.5A -Input : 100VAC, 50/60Hz 960mA -Output : 24VAC 2.5Aor -Input : 230VAC, 50/60Hz 450mA -Output : 24VAC 2.5A	-Power adapter, 12VDC, 5A -Input : 100-240VAC 50/60Hz -Output : 12VDC 5A	-Power adapter, 12VDC, 3.35A -Input : 100-240VAC 50/60Hz 0.4A -Output : 12VDC 3.35A	-Power adapter 12VDC, 1.5A -Input : 100-240VAC, 50/60Hz -Output : 12VDC 1.5A
iCanView240/250/312/340(MP), 350(MP), myDome240/250	iCanServer540/540R/540RH	iCanView260/270/370x/382x myDome270/270H	iCanView222/232/322(MP)/332(MP), 262/362(MP), iCanServer512/612

Camera Accessories Keyboard



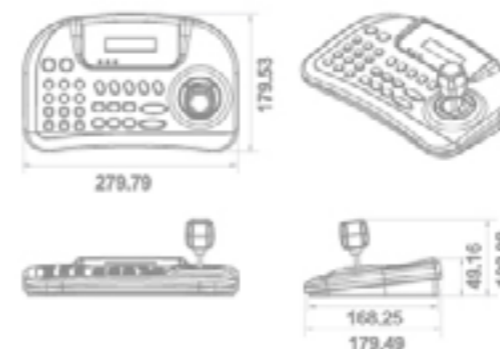
KEY FEATURES

- Discrete design and ergonomic structure
- Professional 3-axis joystick
- Internal 9V battery available
- 2 line dot matrix LCD display
- Low power operation
- Front power button
- USB mouse functionality (works as mouse)

System Configuration



DIMENSIONS





6F, 614 Starvalley 60-11 Gasan-dong, Geumcheon-gu, Seoul 153-777, Korea
TEL : +82-2-830-6767 FAX : +82-2-830-8765
<http://www.icantek.com>