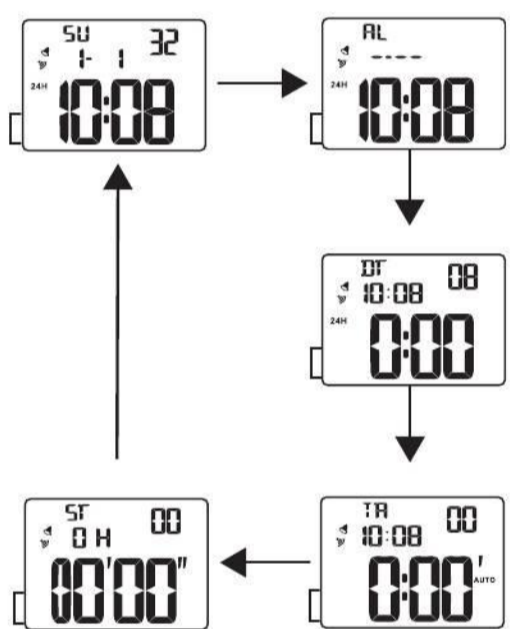
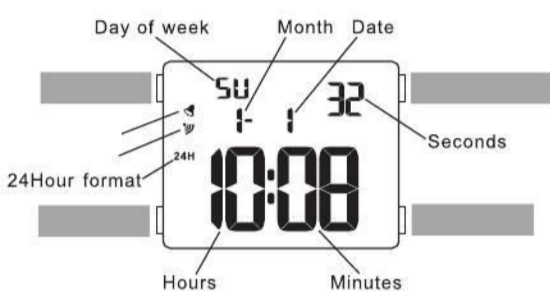
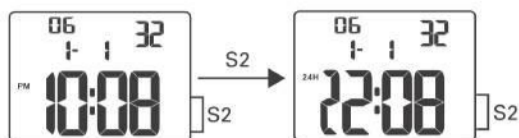




**A Watch You Can Trust**





"AL" Means "Alarm" "TR" Means "Timer"  
 "DT" Means "Dual Time" "ST" Means "Stopwatch"

