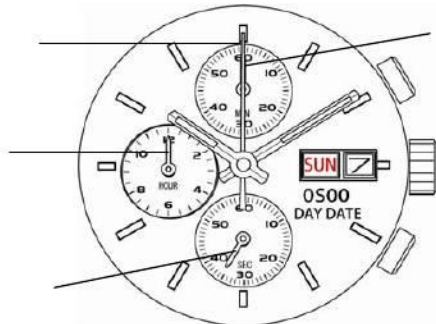


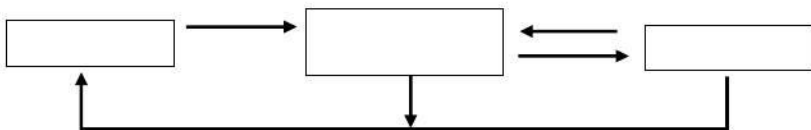
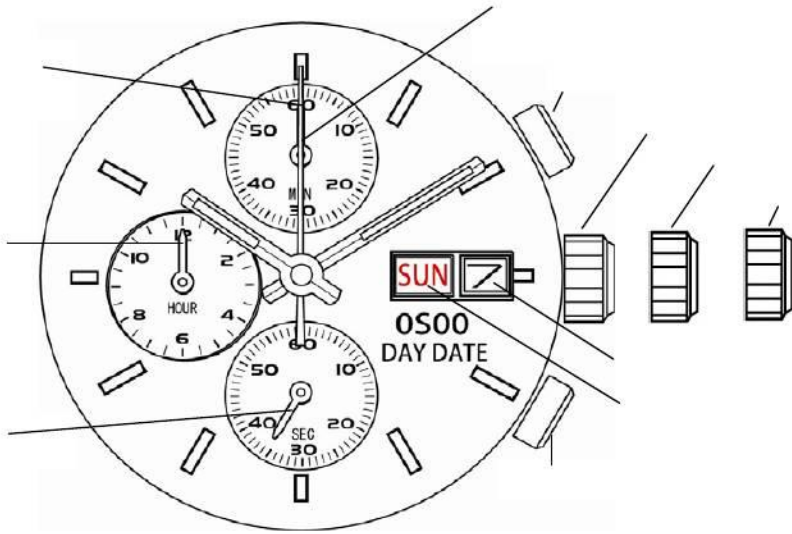
# MIYOTA



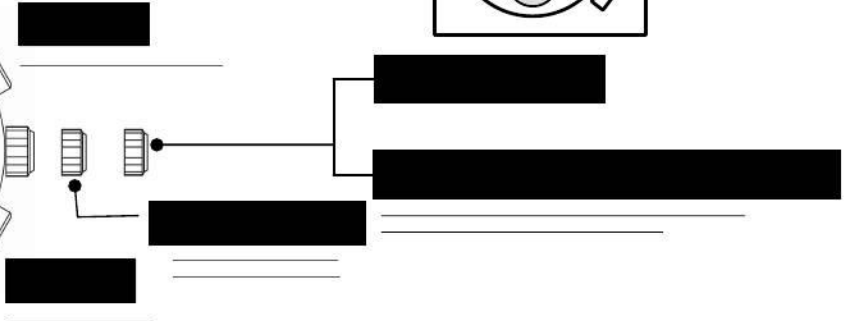
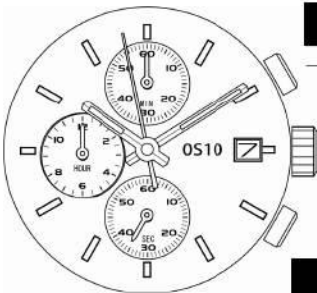
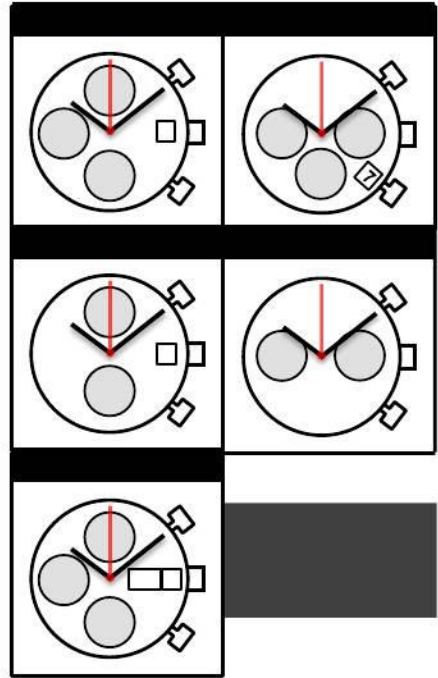
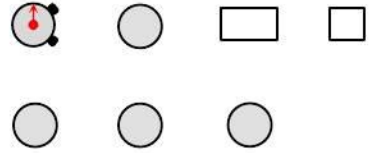
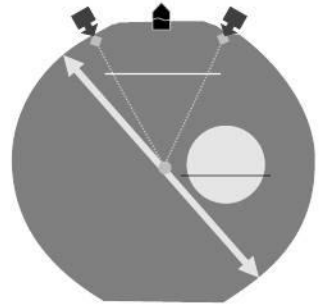
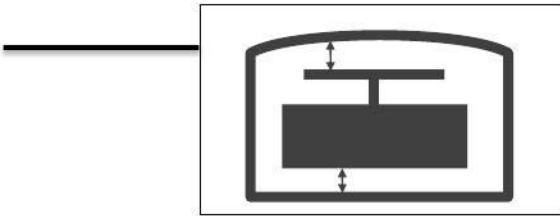
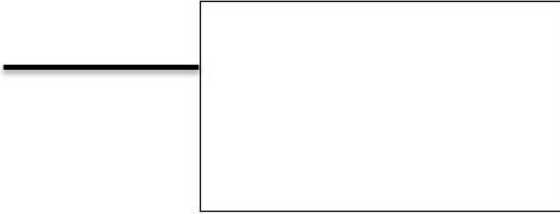
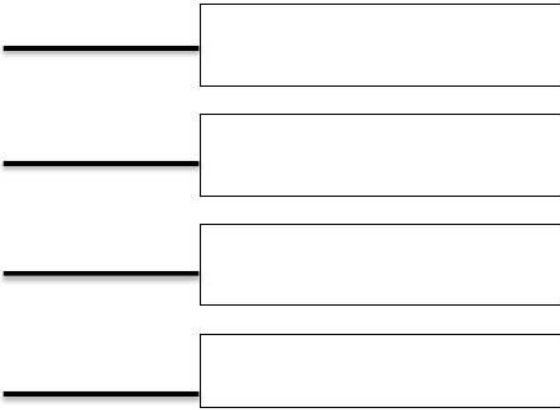







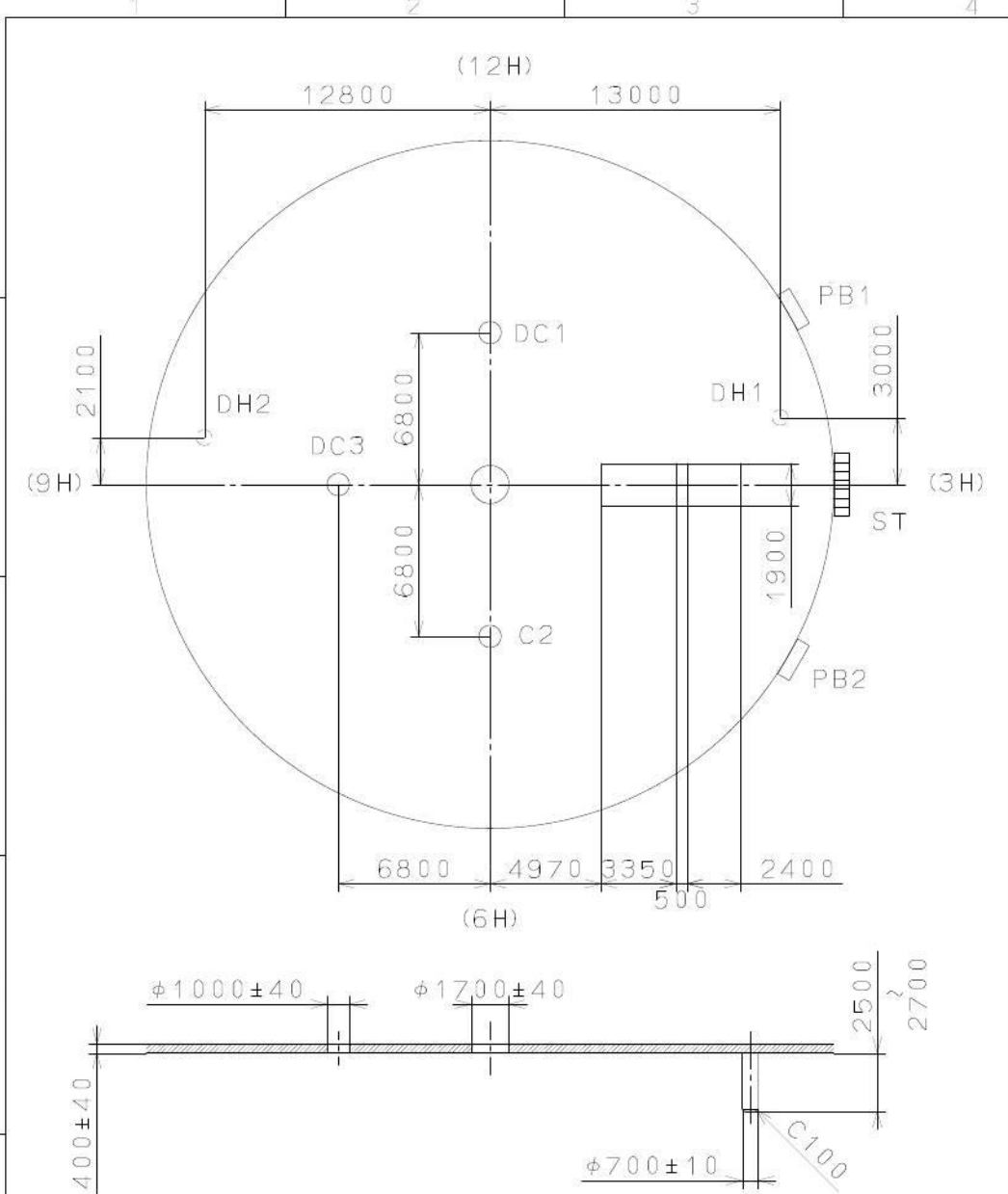
**CITIZEN WATCH CO., LTD.**





2009/07/30 (10:34:48)

This drawing is provisional and subject to our reconfirmation and/or revision without notice.

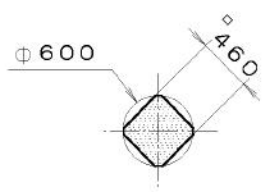


DC1, DC3, C2      CENTER      DH1 (DH2)

△			Quantity		Cal. NO.:
△			Unit	1/1000mm	OS00-10A
△			Scale	4:1	Parts No.:
△			Date		
△			Drawn		
Material			Checked	N. Suzuki	Name:
Heat Treatment			Approved		Indications for Dial
Hardness					Drawing No.: OS000000
Plating			General Tolerances		<b>MIYOTA</b>
			Dimensions		
			Angles		
				CITIZEN WATCH CO., LTD., TOKYO, JAPAN	

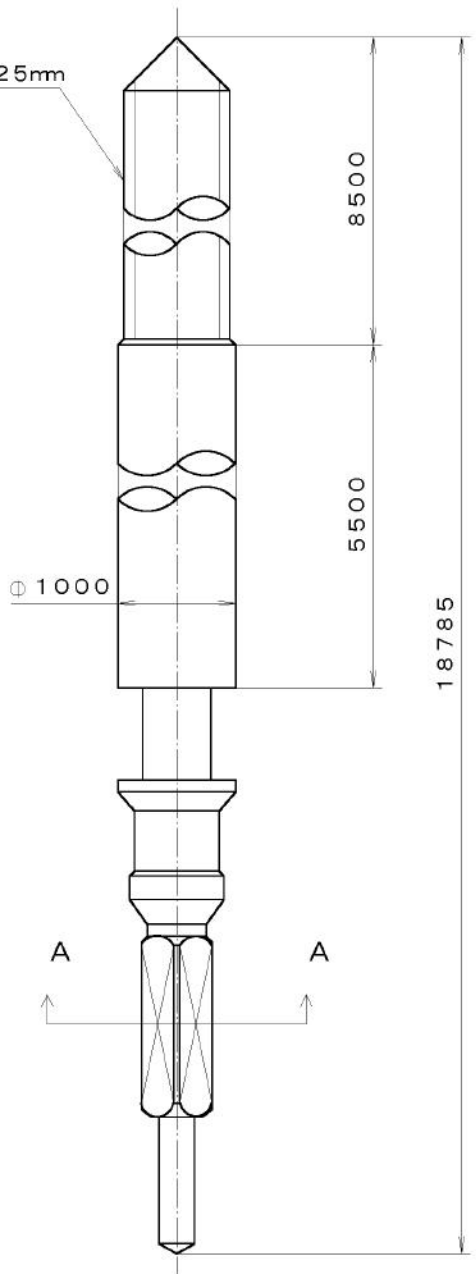
This drawing is provisional and subject to our reconfirmation and/or revision without notice.

065-453 (01) XXXX (2100.1121) 00-07-05



Section A-A

S0. 9, P=0. 225mm



△			Quantity		Cal. No. :
△			Unit	1/1000 mm	
△			Scale	20:1	Parts:
△			Date		065-453
△			Drawn		Name:
△			Checked	T. Hiruta	SETTING STEM
△			Approved		Drawing No. : 4530S000
<b>Material</b>			<b>General Tolerances</b>		<b>CITIZEN</b> WATCH CO.,LTD. TOKYO, JAPAN
Heat Treatment			Dimensions		
Hardness			Angles		
Plating					

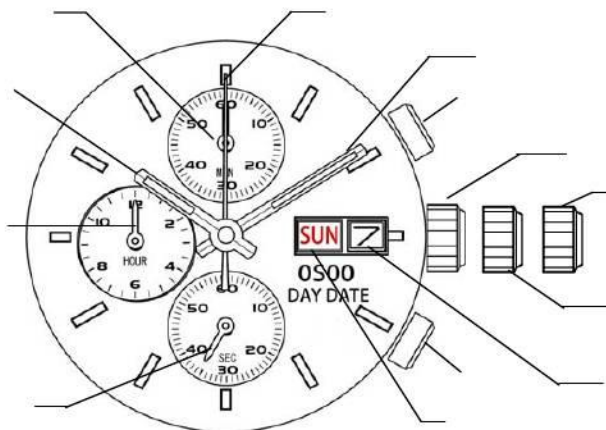


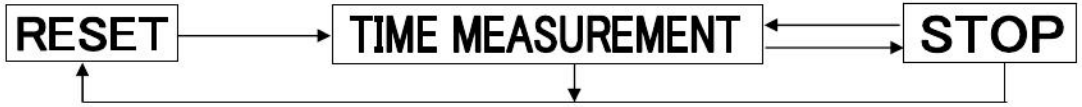


# MIYOTA

---

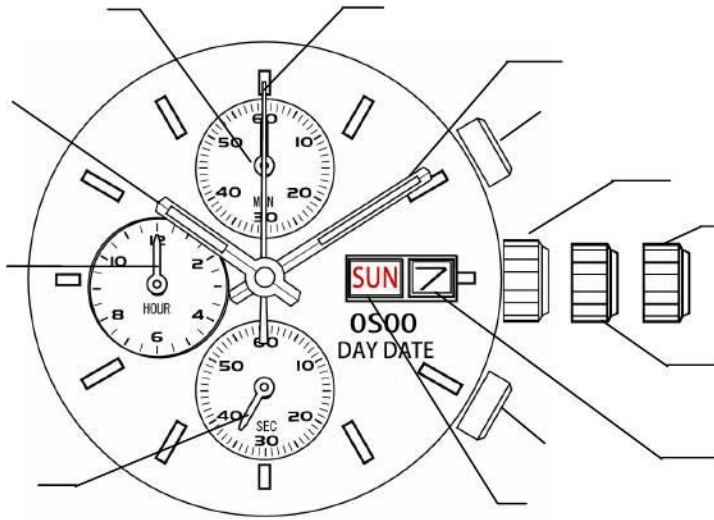
---

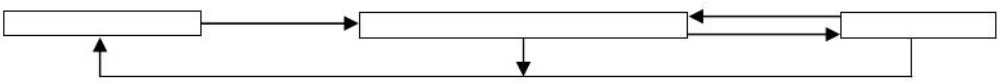




**CITIZEN WATCH CO., LTD.**

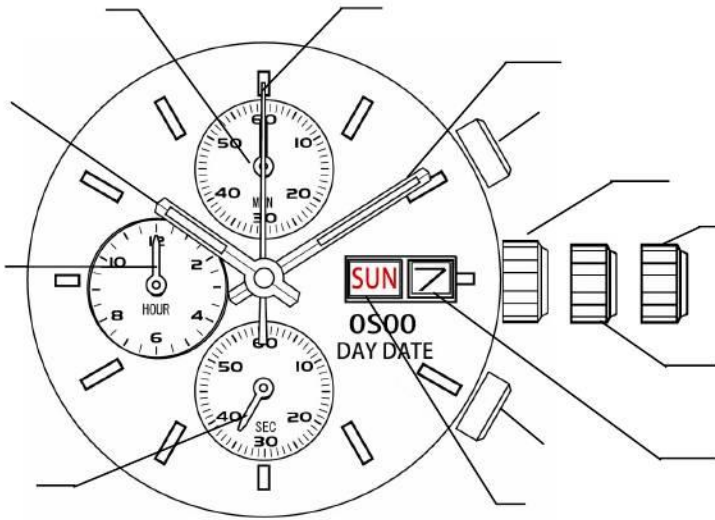
# MIYOTA

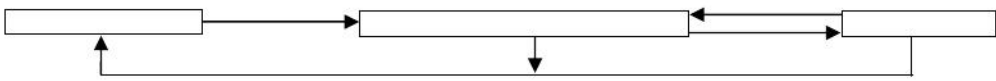




**CITIZEN WATCH CO., LTD.**

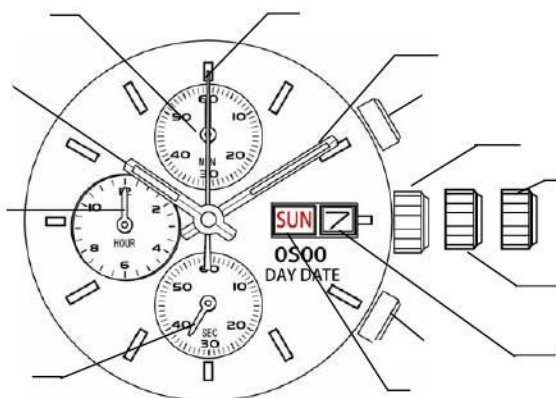
# MIYOTA





**CITIZEN WATCH CO., LTD.**

# MIYOTA



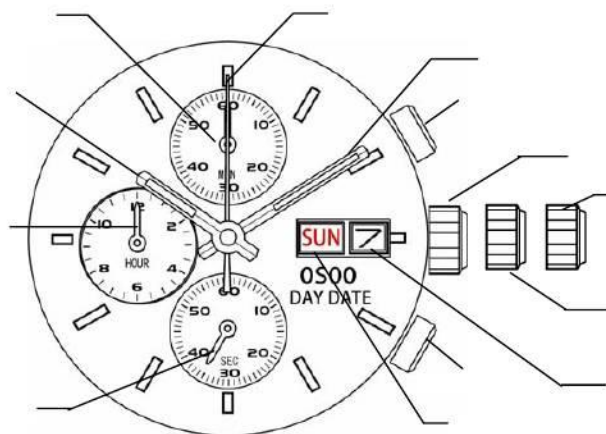


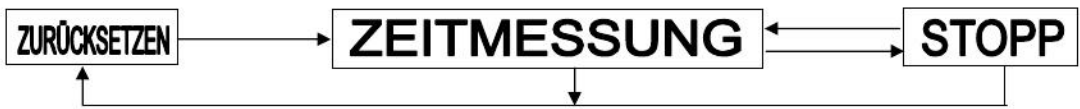
**CITIZEN WATCH CO., LTD.**

# MIYOTA

---

---



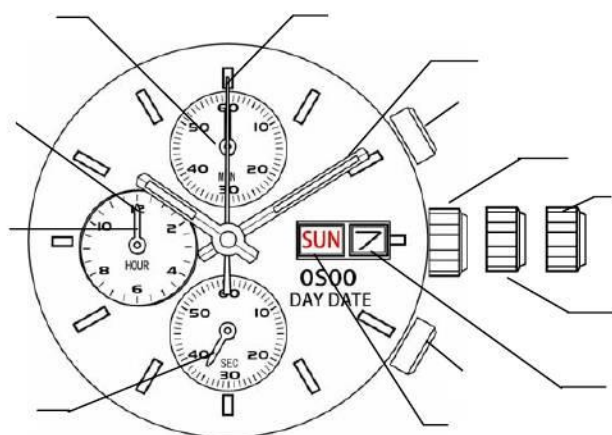


**CITIZEN WATCH CO., LTD.**

# MIYOTA

---

---



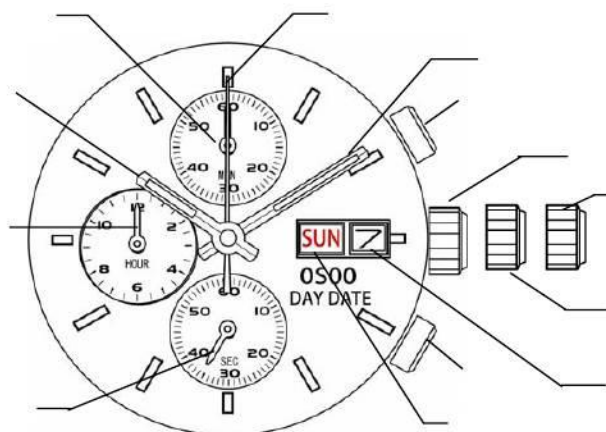


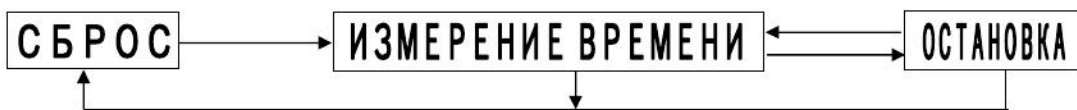
**CITIZEN WATCH CO., LTD.**

# MIYOTA

---

---





**CITIZEN WATCH CO., LTD.**