

ManualsLib.com

SEIKO WATCH CORPORATION

FEATURES

The Cal. V181 is an analogue watch with a solar power generation system.

- Solar power generation system

The watch operates while charging electricity by converting light received on the dial to electrical energy. It lasts for 2 months after full charge.

- Energy depletion forewarning function

When the energy stored in the rechargeable battery is reduced to an extremely low level, the second hand starts moving at 2-second intervals instead of the normal 1-second intervals.

- Instant-start function

When the watch is exposed to sunlight or strong artificial light (of more than 1,000 lux), it will start operating immediately with the second hand moving at 2-second intervals.

- Guideline of charging time

Environment/Light source	Illumination (lux)	Time required for full charge	Time required for steady operation	Time to charge 1 day of power
60W 60cm/Incandescent light	500	110 hours	8 hours	100 minutes
General offices/ Fluorescent Light	700	82 hours	6 hours	75 minutes
30W 70cm/Fluorescent light	1,000	60 hours	4 hours	55 minutes
30W 20cm/Fluorescent light	3,000	20 hours	1.3 hours	18 minutes
30W 12cm/Fluorescent light	5,000	10 hours	33 minutes	9 minutes
30W 3cm/ Fluorescent light	10,000	5 hours	15 minutes	5 minutes
Cloudy weather/Sunlight	10,000	5 hours	15 minutes	5 minutes
Fair weather/Sunlight	100,000	2.1 hours	7 minutes	2 minutes

The above table provides only a general guideline.

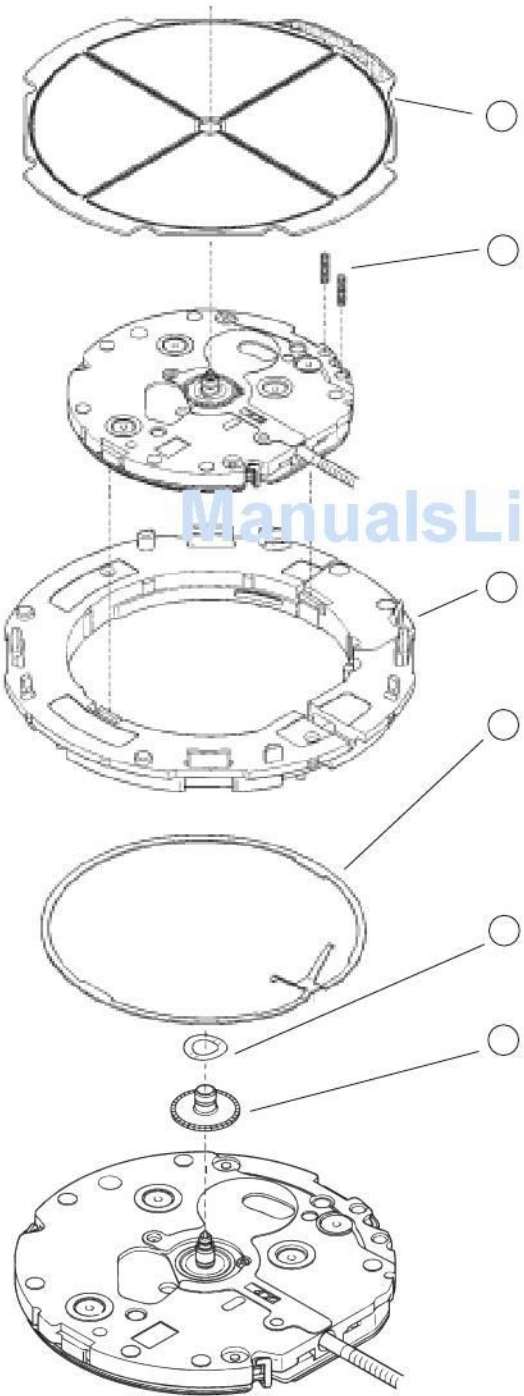
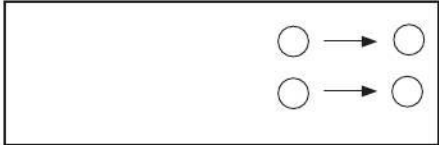
It is recommended that the watch be charged for as long as the charging time according to the column "Time required for steady operation" in this table in order to assure the stable movement of the watch.

- Caution for charging

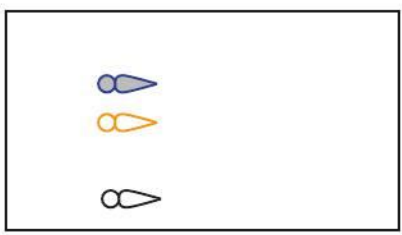
When charging the watch, do not place it too close to a photo flash light, spotlight, incandescent light or other light sources as the watch temperature will become extremely high, causing damage to the parts inside the watch.

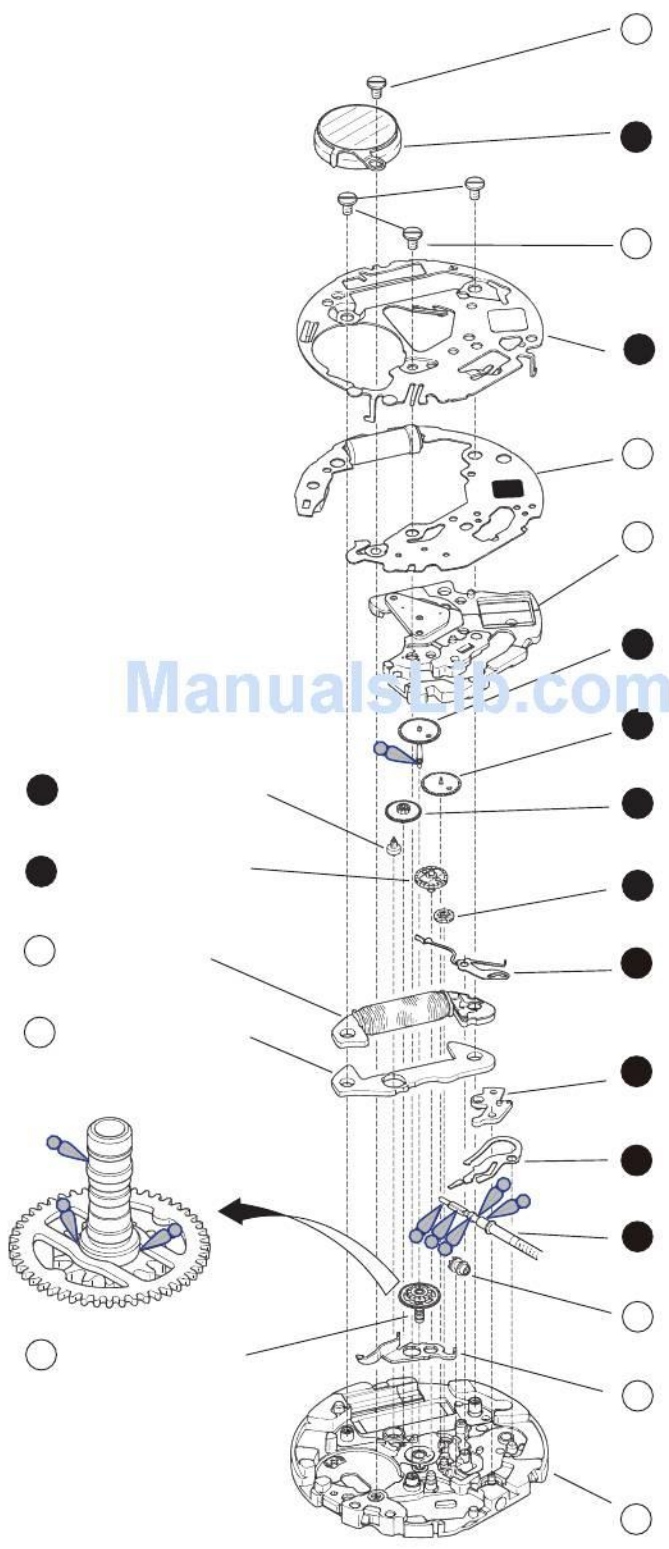
When exposing the watch to sunlight to charge it, do not leave it on the dashboard of a car, etc. for a long time, as the watch temperature becomes extremely high.

While charging the watch, make sure the watch temperature does not exceed 50 °C.



ManualsLib.com





- How to find the correct parts, if not determined by 4 digit caliber number

Following parts are determined based on the design of watches, such as hands height, dial color, and design of cases. Please refer to the SEIKO WATCH PARTS CATALOGUE in order to choose corresponding parts.

④ Casing ring Large: 82840960 Small: 82840940

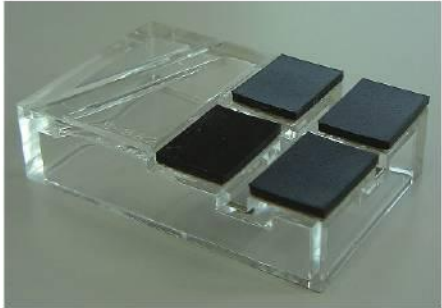
②④ Setting stem 0351500

* For screw down crown models, the stem is assembled to the crown and is not available separately.

Note:

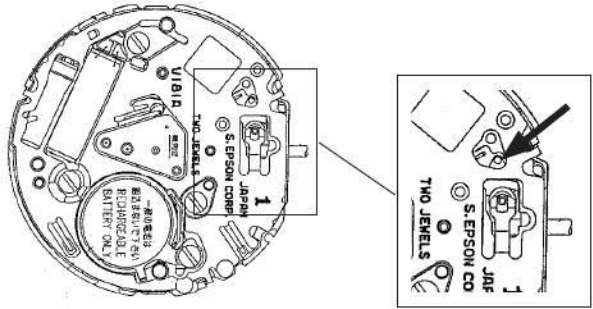
① Solar cell unit Large: 4025543 Small: 4025575

* When ordering this part, make sure which size you need by visually observing the disassembled part. Our parts catalogue currently shows both sizes under the same model.

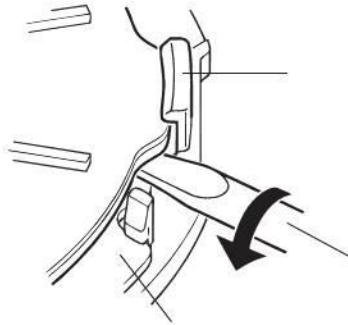
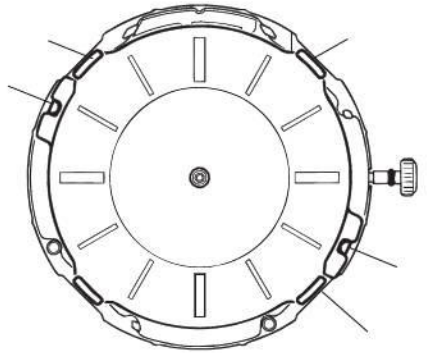


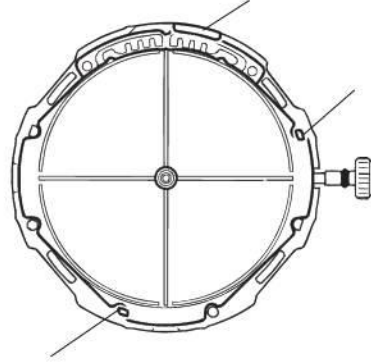
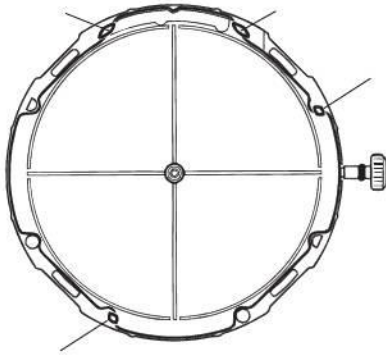
ManualsLib.com



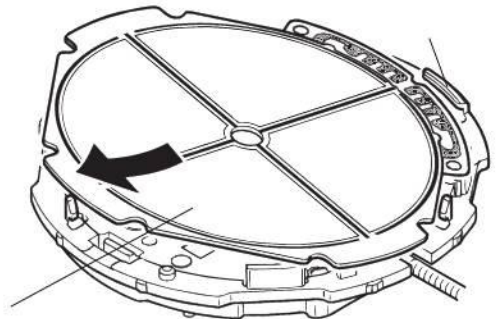
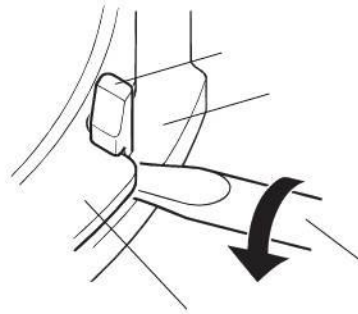


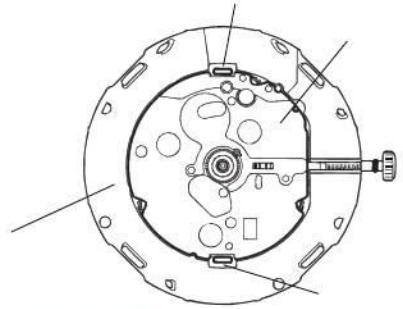
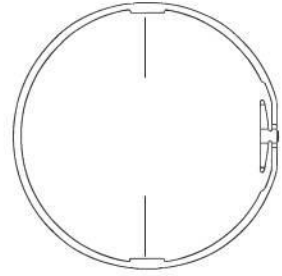
ManualsLib.com



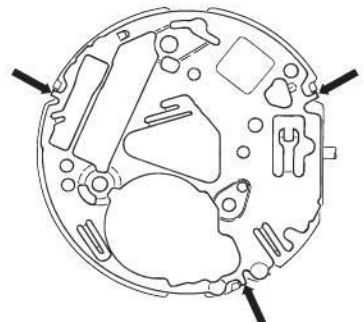
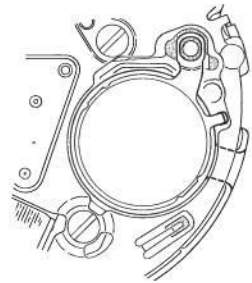


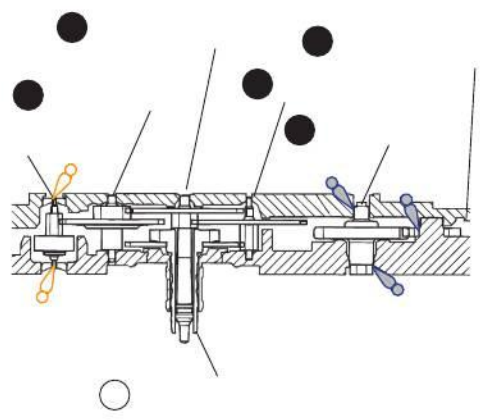
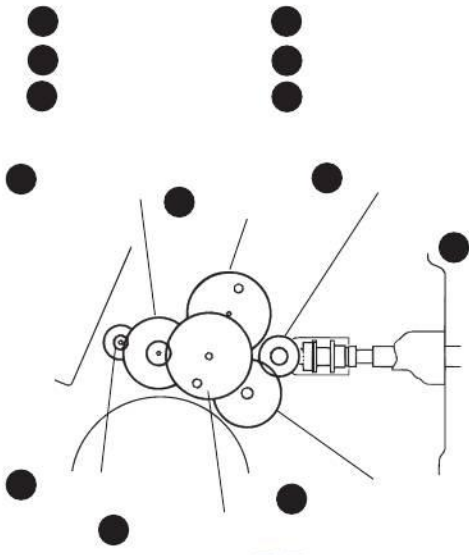
ManualsLib.com



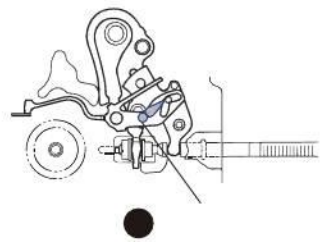
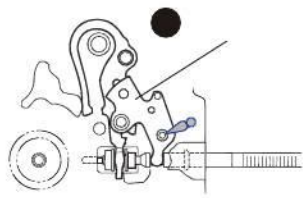
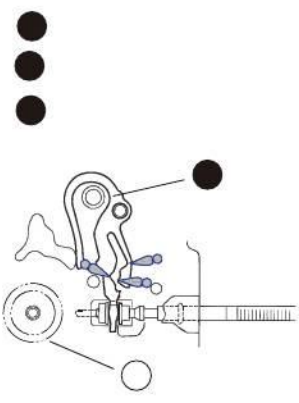


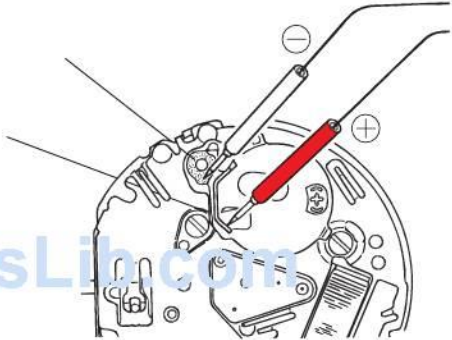
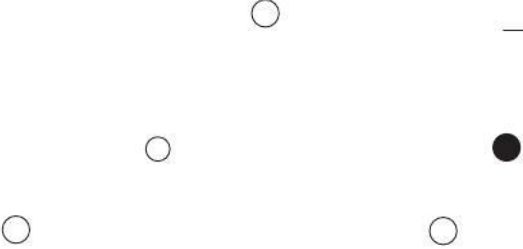
ManualsLib.com



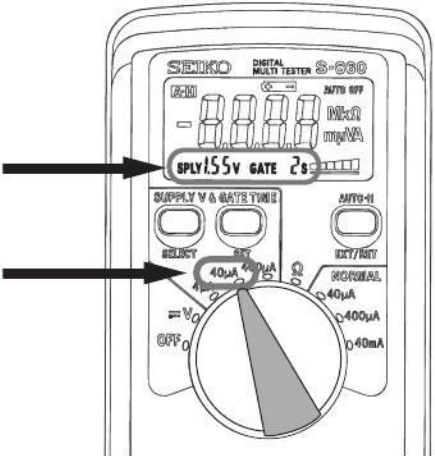


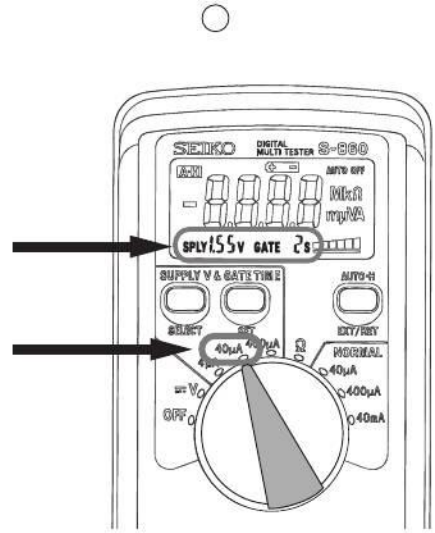
ManualsLib.com



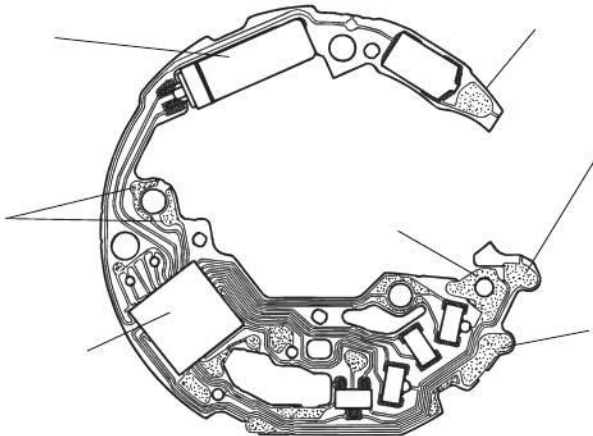


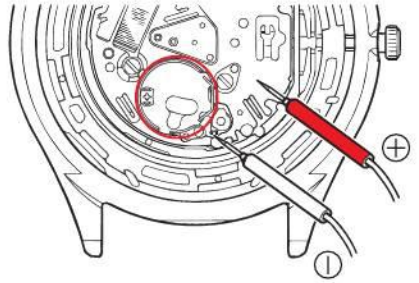
ManualsLib.com



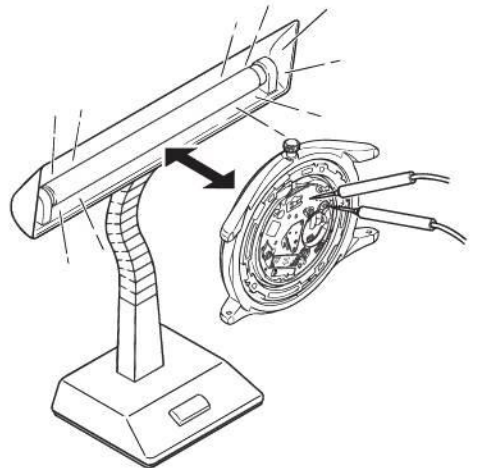
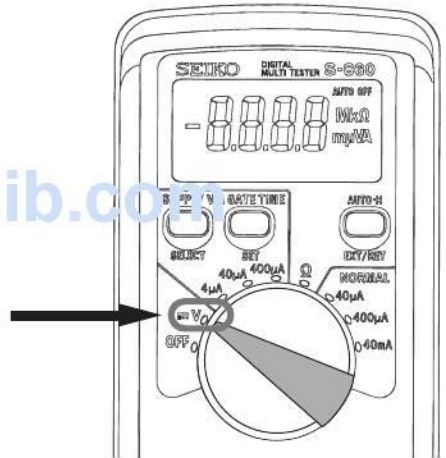


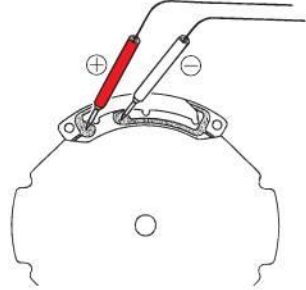
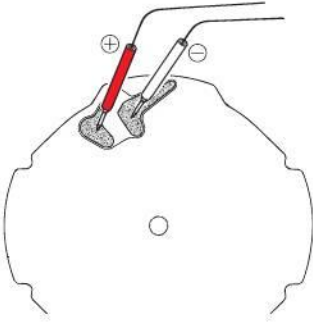
ManualsLib.com



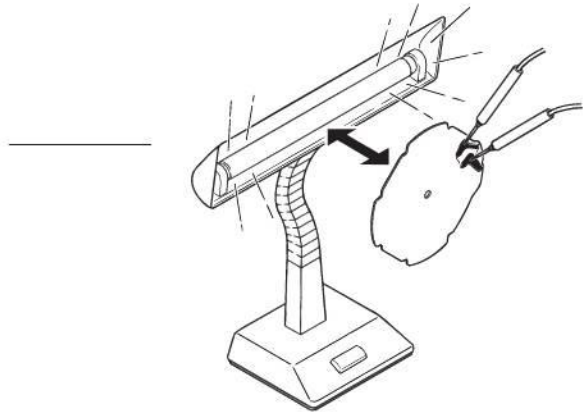
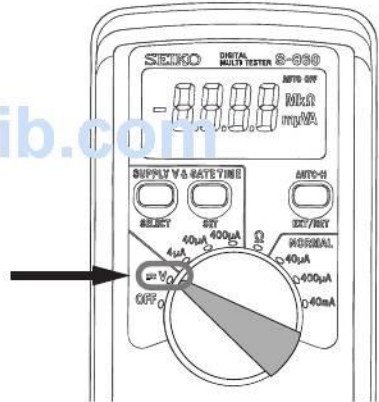


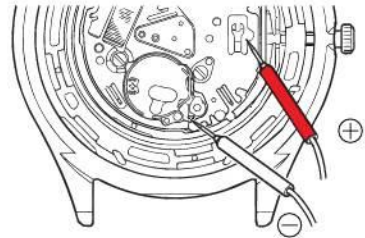
ManualsLib.com



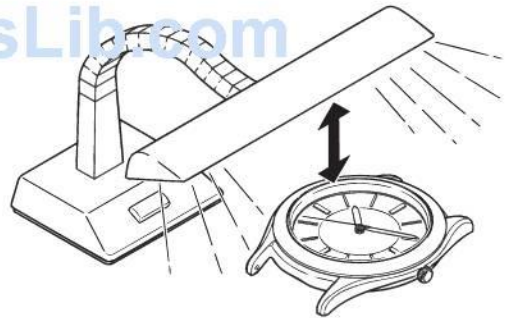


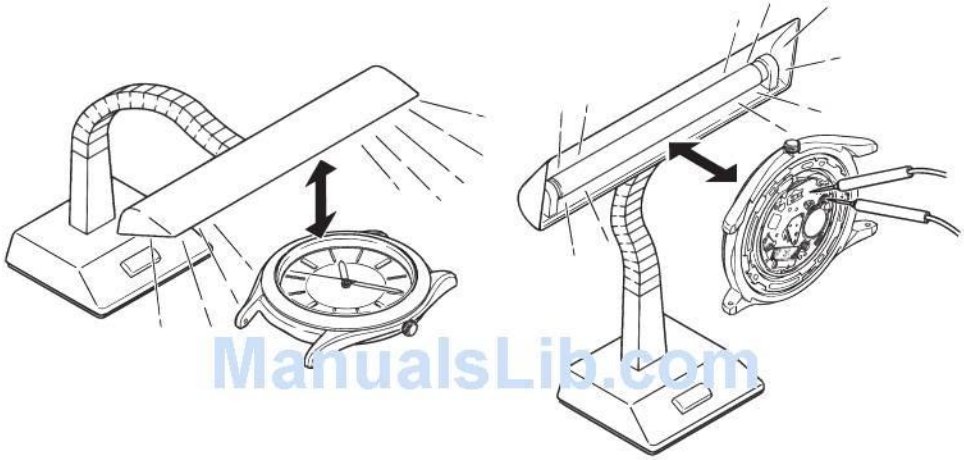
ManualsLib.com

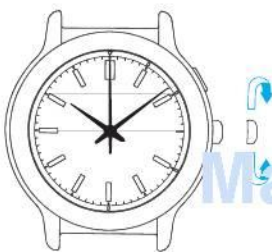
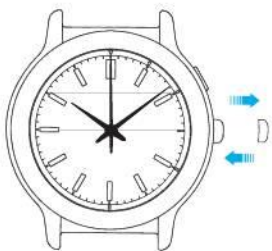




ManualsLib.com



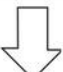
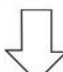
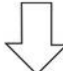




ManualsLib.com

● CHECKING THE WATER RESISTANCE

Check the water resistance according to the designated specification of the watch.

Marking on the case back	Test method	Applied pressure
WATER RESISTANT (WATER RESIST)	Air leak test	3 BAR
WATER RESIST 5BAR	<div style="border: 1px solid black; border-radius: 10px; padding: 5px; text-align: center;">Water pressure test</div>  <div style="border: 1px solid black; border-radius: 10px; padding: 5px; text-align: center;">Condensation test</div>	5 BAR
WATER RESIST 10BAR		10 BAR
WATER RESIST 15BAR		15 BAR
WATER RESIST 20BAR		20 BAR
SCUBA DIVER'S (AIR DIVER'S) 150 m	Condensation test	18.75 BAR = 150 (m) times 0.125
SCUBA DIVER'S (AIR DIVER'S) 200 m		25 BAR = 200 (m) times 0.125
He-GAS DIVER'S 300 m	Water pressure test	37.5 BAR = 300 (m) times 0.125
He-GAS DIVER'S 600 m		75 BAR = 600 (m) times 0.125
He-GAS DIVER'S 1000 m	Condensation test	125 BAR = 1000 (m) times 0.125

● CHECKING THE ACCURACY - INSTANTANEOUS RATE

Measure the rate and make sure the value shows within ± 0.66 s/d.

Use 10-second gate of the tester.