



USER'S GUIDE

Thermal Printer

DPU-S445 SERIES

Read this user's guide carefully before using the printer.
Keep this user's guide in a place where it can be
accessed quickly.

Seiko Instruments Inc.

DPU-S445 SERIES THERMAL PRINTER USER'S GUIDE

Document Number: U00110291502
First Edition: April 2008
Second Edition: May 2008
Third Edition: July 2008

Copyright ©2008 by Seiko Instruments Inc.

All rights reserved.

The information contained herein is the property of SII and shall not be reproduced in whole or in part without prior written approval of SII.

SII reserves the right to make changes in the specifications and materials contained herein without notice and shall not be responsible for any damages (including consequential) caused by reliance on the materials presented, including but not limited to typographical, arithmetic, and listing errors.

SII ● is a trademark of Seiko Instruments Inc.
BHT-Ir is a trademark of DENSO CORPORATION
Bluetooth is registered trademarks of Bluetooth SIG, Inc.
IrDA Protocol Stack "μDeepCore(r)1.1" (c)ITX E-Globaledge Corp. All Rights Reserved.
All other trademarks are the properties of their respective companies.

Applicable EC Directive and Standards

Product: Thermal Printer DPU-S445-01A-E

Directive: Title

1999/5/EC EC Radio and Telecommunications Terminal Equipment Directive

Standards

EN 301 489-1 V 1.6.1

EN 301 489-17 V 1.2.1

EN 300 328 V1.7.1

EN 60950-1:2006



This product may be used in following all EU and EFTA countries:

EU

Austria, Belgium, Bulgaria, Cyprus, Czech Republic, Denmark, Estonia,
Finland, France, Germany, Greece, Hungary, Ireland, Italy, Latvia, Lithuania,
Luxembourg, Malta, Poland, Portugal, Romania, Slovakia, Slovenia,
Spain, Sweden, The Netherlands, United Kingdom

EFTA

Iceland, Norway, Switzerland, Liechtenstein

Product: Thermal Printer DPU-S445-00A-E, DPU-S445-01A-E

Directive: Title

2004/108/EC EC Electromagnetic Compatibility Directive

Standards

EN 55022:2006

EN 61000-3-2:2006

EN 61000-3-3:1995 +Amendment1:2001 +Amendment2:2005

EN 55024:1998 +Amendment1:2001 +Amendment2:2003

Product: AC adapter PW-0904-W1-E

Directive: Title

2004/108/EC EC Electromagnetic Compatibility Directive
2006/95/EC EC Low Voltage Directive

Standards

EN 55022:2006
EN 61000-3-2:2006
EN 61000-3-3:1995 +Amendment1:2001 +Amendment2:2005
EN 55024:1998 +Amendment1:2001 +Amendment2:2003
EN 60950-1:2001 +Amendment11:2004

Product: Battery Charger PWC-L07A1-W1-E

Directive: Title

2004/108/EC EC Electromagnetic Compatibility Directive
2006/95/EC EC Low Voltage Directive

Standards

EN 55022:1998 +Amendment1:2000
EN 61000-3-2:2006
EN 61000-3-3:1995 +Amendment1:2001
EN 55024:1998 +Amendment1:2001
EN 60950-1:2001, First Edition

Federal Communications Commission (FCC) compliance statement


This equipment has been tested and found to comply with the limits for a Class B digital device, pursuant to part 15 of the FCC Rules. These limits are designed to provide reasonable protection against harmful interference in a residential installation. This equipment generates, uses and can radiate radio frequency energy and, if not installed and used in accordance with the instructions, may cause harmful interference to radio communications. However, there is no guarantee that interference will not occur in a particular installation. If this equipment does cause harmful interference to radio or television reception, which can be determined by turning the equipment off and on, the user is encouraged to try to correct the interference by one or more of the following measures:

- Reorient or relocate the receiving antenna.
- Increase the separation between the equipment and receiver.
- Connect the equipment into an outlet on a circuit different from that to which the receiver is connected.
- Consult the dealer or an experienced radio/TV technician for help.

Any changes in this certified device could void your legal right to operate it.

FCCD08001-2



<u>DECLARATION OF CONFORMITY</u>	
Responsible Party	Seiko Instruments USA Inc. Micro Printer Division
Address	2990 Lomita Boulevard, Torrance California 90505 USA
Telephone	(310) 517-7778
Declare under out sole responsibility that the product.	
Trade Name	: Thermal Printer
Model Number	: DPU-S445 DPU-S445-00A-E DPU-S445-01A-E
This device complies with part15 of the FCC Rules. Operation is subject to the following two conditions: (1) this device may not cause harmful interference, and (2) this device must accept any interference received, including interference that may cause undesired operation.	
I the undersigned, hereby declare that the equipment specified above conforms to the above requirements.	
California USA, on May 16th, 2008	
 _____ Kazuhisa Onishi Vice President, Division Manager Thermal Printer Division Seiko Instruments USA Inc.	

Industry Canada (IC) compliance statement

This device complies with the requirements of RSS-210. Operation is subject to the following two conditions: (1) this device may not cause harmful interference, and (2) this device must accept any interference received, including interference that may cause undesired operation.

INTRODUCTION

Thank you for purchasing the DPU-S445 thermal printer.

This USER'S GUIDE explains how to handle DPU-S445 thermal printer (hereinafter referred to as printer), specified AC adapter, specified battery charger, specified battery pack and specified AC cable (hereinafter, omit "specified").

Read through the SAFETY PRECAUTIONS and OPERATING PRECAUTIONS carefully before using the printer. Also read the instruction manuals of the optional equipment that you purchased with the printer.

Keep this user's guide in a place where it can be accessed quickly.

For more detailed technical information on this printer, refer to the *DPU-S445 SERIES THERMAL PRINTER TECHNICAL REFERENCE*.



The User's Guide consists of the following sections.

SAFETY PRECAUTIONS.....	2
OPERATING PRECAUTIONS.....	9
1 PREPARATION.....	12
2 EACH PART OF PRINTER.....	13
3 POWER CONNECTION.....	16
4 PAPER SETTING.....	19
5 TEST PRINTING.....	21
6 FUNCTION SETTING.....	22
7 CONNECTING TO THE HOST DEVICE.....	29
8 RECHARGING THE BATTERY PACK.....	33
9 THERMAL HEAD MAINTENANCE.....	36
10 TROUBLESHOOTING.....	37
11 SPECIFICATIONS.....	38
12 OPTIONS AND CONSUMABLE PARTS.....	41

SAFETY PRECAUTIONS


The following symbols are used in this User's Guide in order to make use of the printer properly and prevent the printer from being damaged.

Follow the instructions marked with the symbol.


 WARNING	Failure to follow the guidelines marked with this symbol could result in severe personal injury or death.
 CAUTION	Failure to follow the guidelines marked with this symbol could result in minor personal injury or product and/or peripheral damage.

Symbol Examples




The symbol  indicates caution (including danger and warning).
The example on the left indicates warning or caution.



The symbol  indicates prohibition.
The example on the left means prohibition of disassembling.



The symbol  indicates requirement or what must be done.
The example on the left means "pull the power plug out of the outlet."

WARNING



DO NOT use the printer, the AC adapter, the AC cable and the battery charger in the country which has not complied with regulations. Doing so, we do not assure the safety of these products and you will be responsible for violation of regulations.



POWER OFF the printer, unplug the power cable from the power outlet, and remove the battery pack in any of the following cases:

- _ The printer does not recover from an error.
- _ Smoke, strange noise or smells erupt from the printer.
- _ A piece of metal or any liquid touches the internal parts or slot of the printer.
- _ Case is broken.

Doing so may cause fire or electric shock. Please contact your vender to repair the products.



DO NOT insert any foreign objects such as a piece of metal or any liquid in the internal parts or slot of the printer. Doing so may cause fire or electric shock.



DO NOT disassemble or remodel the printer. DO NOT REPAIR THE PRINTER YOURSELF. Doing so may cause fire, a failure or other accidents.



DO NOT use an AC adapter, AC cable, battery charger or battery pack other than that which is specified. Doing so may cause explosion, overheating or fire leading to serious accidents.



DO NOT use any power supply of the AC adapter and the battery charger other than specified range of one. Doing so may cause fire, a failure or other accidents.



DO NOT touch the output terminal or metallic area of the connector to avoid short-circuiting. Doing so may cause fire, a failure or other accidents.



DO NOT connect except specified battery pack with the battery charger. Doing so may cause explosion, overheating or fire leading to fire or injury.



DO NOT put the printer into water in a place where it could get wet. Doing so may cause fire, a failure or other accidents.



DO NOT touch the printer by wet hand. If not, it might cause electric shock.



Turn the power off the printer before removing/inserting the battery pack. If not, it might cause electric shock.



UNPLUG the AC plug from the outlet when there is any AC cable of the AC adapter or the battery charger damaged. Doing so may cause fire, a failure or electric shock.



Keep the AC adapter and the AC plug of the battery charger away from dust and metallic materials. If not, it might cause fire or electric shock.



Plug the AC adapter and the AC plug of the battery charger completely. If not, it might cause fire or electric shock.



DO NOT destroy the AC adapter, the AC cable or plug of the battery charger. Moreover, DO NOT bend, pull or twist the AC cable forcibly, or place heavy object on the cable. Doing so may cause fire, a failure or electric shock.



When unplugging the AC adapter or AC cable of the battery charger from the outlet, do not pull on the cable but hold onto the plug. Exposure or disconnection of the cable might cause fire or electric shock.



The antenna(s) used for this transmitter must be installed to provide a separation distance of at least 20 cm from all persons and must not be co-located or operating in conjunction with any other antenna or transmitter.

CAUTION



If the printer is not used for a long time, unplug the AC plug from the outlet and remove the battery pack from the printer.
If not, it might cause fire or electric shock.



When cleaning the printer, unplug the AC plug from the outlet and remove the battery pack from the printer.
If not, it might cause fire or electric shock.



Keep the printer out of the reach of children.
If not, it might cause injury.



DO NOT subject the printer to the following places as it may lead to fire, a failure or injury.

- _ Places of direct sunlight or high temperature
- _ Places of extreme humidity or any place where it can possibly be splashed by any liquids.
- _ Places with strong vibration or is inclined.



DO NOT cover the printer with any clothes.
Doing so may cause fire or a failure.



NEVER touch the thermal head immediately after printing because it becomes very hot. Make sure that the thermal head is cool before clearing a paper jam or cleaning the thermal head.
Doing so may cause injury.



NEVER touch the portions such as the thermal head or the paper sensor or the platen roller directly while opening the paper cover to install the paper for example.
Doing so may cause injury or other accidents.



DO NOT touch the cutter.
Doing so may cause injury.



Be sure to hold the battery cover to the printer when the battery pack is inserted in the printer.
Fall of the battery pack due to the battery cover slid off may cause injury or any damages.



DO NOT make your hair, etc. which are easily entangled in the printer approach to the printer during the operation
Doing so may cause injury.

Precautions in the Battery pack (Option)

WARNING



If you find any of the following abnormalities in the battery pack, remove the battery pack from the printer and keep away from fire.

- _ When the battery pack gave out a nasty smell, reached an extraordinarily high temperature or showed any unusual sign.
- _ When the battery pack case was broken.
- _ When leakage was found.

Doing so may cause liquid leakage, explosion, overheating or fire leading to fire or injury.



NEVER disassemble, remodel, or solder the battery pack.

Doing so may cause liquid leakage, explosion, overheating or fire leading to fire or injury.



DO NOT charge the battery pack except by specified battery charger.

Doing so may cause liquid leakage, explosion, overheating or fire leading to fire or injury.



DO NOT touch the metallic area of the battery pack to avoid shortcircuiting.

Doing so may cause overheating, fire or electric shock leading to fire or injury.



DO NOT throw the battery pack into fire and **DO NOT** heat it.

Doing so may cause liquid leakage, explosion, overheating or fire leading to fire or injury.



DO NOT charge the battery pack in a place at 35 °C / 95 °F or more under burning scorching or in the close vicinity of fire.

Doing so may cause liquid leakage, explosion, overheating or fire leading to fire or injury.



DO NOT apply strong impact to the battery pack with a hammer or a nail, and DO NOT crush it.

Doing so may cause liquid leakage, explosion, overheating or fire leading to fire or injury.



DO NOT put the battery pack into water. Always keep it away from rain and water.

Doing so may cause liquid leakage, explosion, overheating or fire leading to fire or injury.



DO NOT touch the battery pack by wet hand.

Doing so may cause electric shock or a failure.

CAUTION



If liquid inside the battery pack reaches the eyes, immediately wash it away with clean water and take a physician's medical treatment.

If not, the eyesight might be damaged.



Keep the battery pack away from children.

If not, it might cause injury.



DO NOT subject the battery pack to the following places as it may lead to liquid leakage, explosion, overheating or fire leading to fire or injury.

- Places of direct sunlight or high temperature
- Places of extreme humidity or any place where it can possibly be splashed by any liquids.
- Places with strong vibration or is inclined.

OPERATING PRECAUTIONS

Please follow the precautions below to enjoy and maintain the full performance of the printer.

□ Using the Printer

- _ Be careful not to drop or bump the printer on a hard surface.
- _ DO NOT install the printer in direct sunlight or such areas. Suitable environment for the use of the printer is as follows:
 - Ambient temperature: 32°F to 122°F (0°C to 50°C)
 - Relative humidity: 30 to 80%RH (noncondensing)
- _ DO NOT install the printer near devices that generate strong electromagnetic fields such as a copy machine.
- _ DO NOT install the printer in a location that is subject corrosive gas or siloxane and so on.
- _ DO NOT connect the AC cables of the AC adapter and the battery charger to the same outlet with devices that generate noise.
- _ DO NOT open the paper cover during printing.
- _ DO NOT remove or reinstall the interface cable during printing or transmission. DO NOT touch the connectors of the interface cable during printing.
- _ DO NOT cut any cut sheet or label paper with the paper cutter installed in the paper outlet. Failure to follow this instruction may cause a cutting error or make the cutting edge dull due to label paper adhesive sticking to the cutter.
- _ Switch the power off when not in use.
- _ Clean the printer using soft, lint-free cloth. DO NOT use alcohol or other solvent.
- _ Before use, always clean the terminals using a dry, soft, lint-free cloth. If the terminals are dirty, it may not be possible to obtain proper contact.
- _ When cleaning the TH, wipe the thermal head with a cotton swab or other soft material.
- _ Remove the battery pack from the printer if the printer is not used for a long time. If not, it may cause overdischarge and shorten life span of the battery pack.
- _ Store the battery pack in cool place. DO NOT store the battery pack for long time with fully charged condition because it may shorten life span of the battery pack.
- _ The battery pack should be recharged at 32 to 95°F (0 to 35°C) for optimum performance.

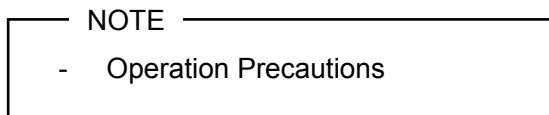
- _ The AC adapter, the battery charger and the battery pack may become warm when in use. This is normal and is not a malfunction.
- _ When the battery pack is used at low temperature, the length of time the printer can be used may be shortened.
- _ High-print-rate printing or using the printer under low temperature condition might cause irregular printouts or generate loud noise. This is not a failure in the printer, but an inherent paper phenomenon.
- _ When using a Bluetooth interface, the radio environment around the printer may cause a failure in communications. This is due to the specifications of Bluetooth, which is a radio communications standard.
- _ When handling this product, be aware of static electricity. If the static electricity is discharged, this could cause communication failure. When this problem occurs, disconnect the USB connector that is connected to the host device and wait few seconds before connect it again.

□ Thermal Paper Handling

- _ Store the thermal paper in a cool, dry, and dark place.
- _ DO NOT rub the paper with hard objects.
- _ DO NOT leave the paper near organic solvents.
- _ DO NOT allow plastic film, erasers, or adhesive tape to touch the paper for long periods.
- _ DO NOT stack the thermal paper with diazo copies immediately after copying or wet-type copies.
- _ DO NOT use chemical glue.
- _ Always use the specified thermal paper. See Section 12, Options and Consumable Parts, for details.

□ Notations Used in this User's Guide

The following two types of notations are used throughout this User's Guide to denote items of caution and items to remember:



This box contains items that when not followed may lead to a malfunction or to a

deterioration of performance.

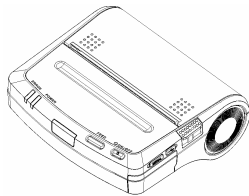
HINT

- Items To Remember

This box contains helpful hints to remember when using the printer.

1 PREPARATION

Once you have opened the carton, make sure it contains the printer and all accessories.

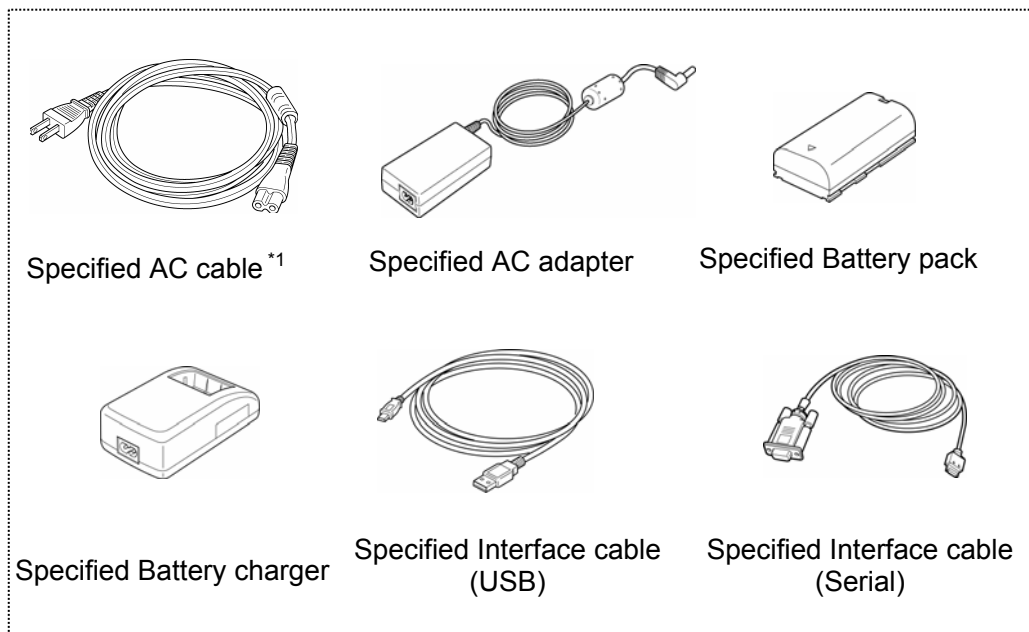


Printer



Printer User's Guide (CD-ROM) 1 (piece)
SAFETY PRECAUTIONS 2 (sheets)

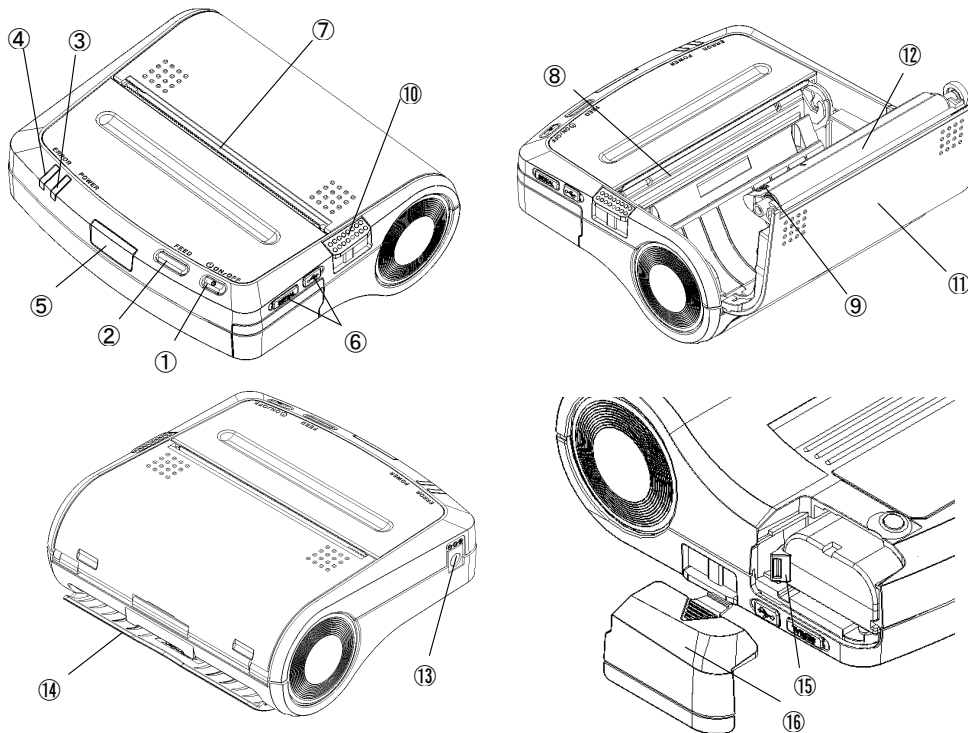
Keep the package and packing materials for future transportation or long-term storage.
The following are available as options:



*1: Additional clamped ferrite core on AC cable will be implemented to the production line.

The AC adapter and the battery charger is not bundled with an AC cable. Be sure to purchase our specified options. Refer to 11 SPECIFICATIONS for using the options in the countries which have complied with regulations.

2 EACH PART OF PRINTER



(1) POWER switch

The POWER switch turns the printer ON or OFF. To turn the printer on, hold down the POWER switch until the POWER lamp lights. To turn the printer off, hold down the POWER switch until the POWER lamp goes off.

(2) FEED switch

In the Mark Roll Paper mode, the printer feeds the paper until paper mark detection by pressing this switch once. In the other condition, the printer feeds a small amount of thermal paper by pressing this switch once and the switch is held down, the

thermal paper is fed continuously.

(3) POWER lamp

The POWER lamp lights when the printer turns on. See the Lamp Display on the next page for details.

(4) ERROR lamp

The ERROR lamp lights when something is wrong with the printer. See the Lamp Display on the next page for details.

(5) Infrared transmitter/receiver

The infrared transmitter/receiver is used to communicate with the host device having the IrDA which is in accordance with the

standards of the physical layer of IrDA (Ver1.2).

(6) Interface connector

Connects with the interface cable. Open the rubber cover and insert the connector.

(7) Paper outlet

Paper port with a paper cutter.

(8) Thermal head

The thermal head prints characters on the thermal paper. It is very hot immediately after printing.

(9) Paper sensor

The sensor that detects thermal paper existence or paper mark.

(10) Paper cover open button

The button that is used as opening the paper cover when setting the thermal paper.

(11) Paper cover

The platen roller is released from the thermal paper after opening this cover. Open this cover to replace the thermal paper or to clean the thermal head.

(12) Platen roller

The platen roller brings the paper in contact with the thermal head. The platen roller is turned to feed the paper.

(13) Power connector

Connects the AC adapter to this connector.

(14) Paper slot

Paper inlet for the paper sheet.

(15) Battery release lever

Releases the battery pack from the printer.

(16) Battery cover

Covers and Holds placed battery pack in the printer.

Lamp Display

Lamp display	POWER lamp (Green)	ERROR lamp (Orange)
Power OFF	Off	Off
Power ON (Print-ready)	On	Off
Initializing	On	On
Out-of-paper	On	Blink
Paper cover open	On	Blink twice
Battery low, power failure	Blink	On
Thermal head temperature error	Blink twice	On
Recharging	Blink	Off
Function setting mode	Off	On
Function setting mode shifting	Blink	Blink
NV memory loading	Short blink	Short blink
Hardware error	Off	Blink

Display Pattern ○: On, —: Off

Items	Pattern
Blink	— ○ — ○ — ○ —
Short blink	○—○—○—○—○—○—○—○—○—○—○.....
Blink twice	○—○ — ○—○ — ○—○ —

3 POWER CONNECTION

The printer can be powered with a battery pack or an AC adapter.

Always refer to Section 11 SPECIFICATIONS before using the battery pack and the AC adapter.

□ Installing a Battery Pack

The battery pack should be fully recharged. See Section 8, Recharging the Battery Pack, for details on the recharging method.

NOTE

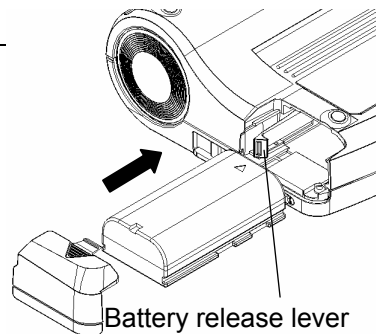
- Before installing or removing the battery pack, turn the printer off.
- If the printer is not used for a long time, remove the battery pack from the printer.

Installing the battery pack

Remove the battery cover.

Insert the battery pack in the direction of the arrow so that the printer connection terminal contacts the connection terminal of the battery pack.

Be sure to lock the battery release lever and the battery pack.

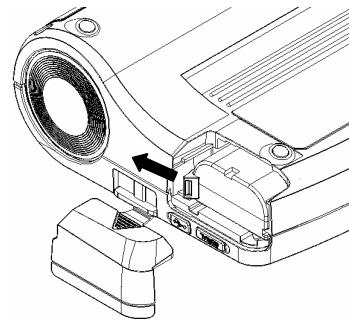


Removing the battery pack

Turn the printer off.

Take the battery cover off and slide the battery release lever in the direction of the arrow.

So the spring in the printer pushes the battery pack out.

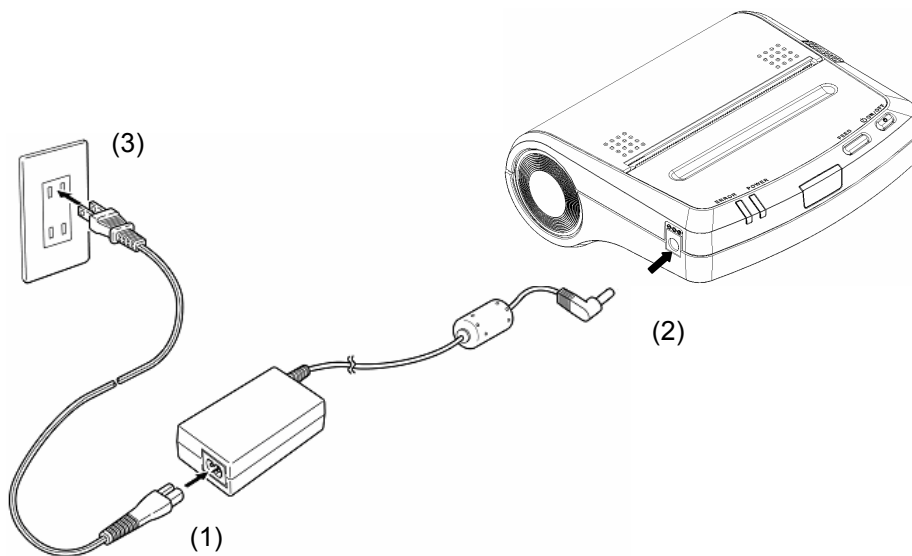


HINT

- If the battery pack starts to run out soon, it means that the battery life has expired. Purchase a new battery pack.
- When used in the condition of low temperature, operation time of the printer is shorter than that average.
- Even if the battery pack is not used, its performance will be deteriorated with time.
- If the Auto Power Off function is Enabled, the printer turns off automatically when it is not operated for 30 minutes to save the battery. See Section 6, Function Setting, for details on settings.

□ Connecting the AC Adapter

- (1) Connect the AC cable to the AC adapter.
- (2) Insert the DC jack of the AC adapter to the power connector of the printer.
- (3) Insert the AC plug of the AC cable to an electric outlet.



NOTE

- Before installing or removing the AC adapter, turn the printer off.
- If the printer is not used for a long time, unplug the AC cable from the outlet.

HINT

- If the Auto Activation by AC function is enabled, the printer turns on automatically when the AC cable of the AC adapter inserts to the outlet. See Section 6 Function Setting for details on settings.

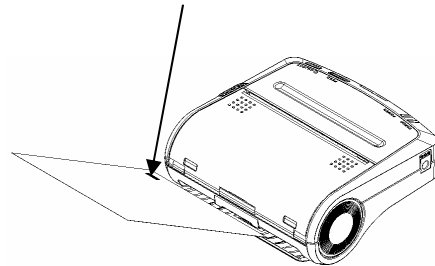
4 PAPER SETTING

This printer can feed cut sheets and paper roll. The printer function setting for cut sheets is different from that for paper roll. See Section 6 Function Setting for details.

□ Setting Cut Sheets

- (1) Turn the printer on.
- (2) If the printer has been stored without thermal paper, open and close the paper cover (see Section 2 EACH PART OF PRINTER) before setting the cut sheet.
- (3) Insert a cut sheet into the paper slot in the printer until it stops with its printable surface facing down.
- (4) The printer detects the paper and loads it automatically.
- (5) To discharge the paper from the printer, hold down the FEED switch.

Place a cut sheet with the paper position detection mark facing up.



CAUTION

- ◆ Take care not to get your fingers caught in the printer when loading paper.

NOTE

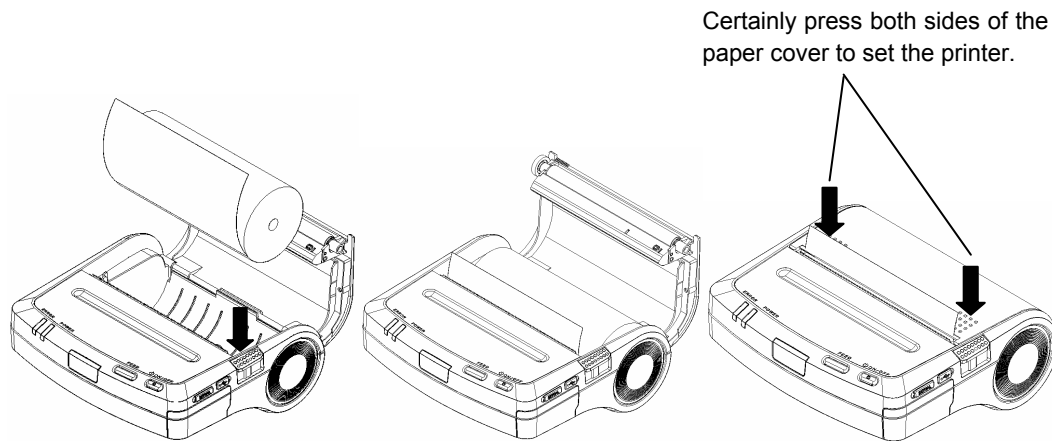
- Insert the paper into the paper slot straight. If it is askew, a paper feed error occurs.
- DO NOT block the paper outlet or hold the paper that is being loaded. Otherwise, it may cause a paper jam.

HINT

- Marks for paper position detection are printed on the back of the specified paper. When the printer detects the mark, it enters print-ready mode.
- If the printer does not detect a mark, the ERROR lamp blinks. Press the FEED switch once or turn the printer off and on again to clear the error.

□ Setting Paper roll

- (1) Press the paper cover open button to open the paper cover in the direction of the arrow.
- (2) Install the paper roll to the paper holder and make sure that the tip of the paper 5 cm or longer appears from the paper outlet and straighten the paper setting.
- (3) Certainly press both sides of the paper cover to set the printer.
- (4) If the paper roll with mark is used, press the FEED switch once for feeding to home position.



NOTE

- DO NOT block the paper outlet or hold the paper that is being loaded. Otherwise, it may cause a paper jam.
- DO NOT touch the platen roller or the printer gear. If doing so, it may cause printer poor quality or printer malfunction.

HINT

- When using the printer with the label that is in the thermal head and platen roller for a long time, it may cause paper feeding error. Open and close the paper cover to release the thermal head and label, and then press the FEED switch to feed the label home position before using.

5 TEST PRINTING

After loading thermal paper in the printer, perform test printing. In test printing, the printer's function setting and character strings for testing are printed.

- (1) Make sure that the thermal paper is loaded in the printer and the printer is off. If the paper is not loaded, load the paper as instructed in Section 4, Paper Setting, and turn the printer off.
- (2) Press the POWER and FEED switches at the same time. When the POWER lamp lights, release the POWER switch, then the FEED switch.
- (3) Several dozens of lines of text are printed.

```
DPU-S445
[Ver. * **] **.*.*.*
Copyright (C) : SII
*****
.
.
.
```

- (4) After test printing, the printer goes into print-ready mode.

6 FUNCTION SETTING

This printer allows you to set various function according to operating conditions or uses. The settings are stored in the software DIP switches (NV memory) in the printer. They can be set by using switches or by entering commands.

This manual describes how to set functions by using switches.

HINT

- See the Technical Reference for details on function setting with commands.

□ Function Setting Mode

The printer must be in the function setting mode to set functions with switches.

To enter the function setting mode, do as follows:

- (1) Make sure that the thermal paper is loaded in the printer and the printer is off. If the thermal paper is not loaded, load the thermal paper as described in Section 4, Paper Setting, and then turn the printer off.

HINT

- If an error occurs in the function setting mode, the POWER and ERROR lamps blink 3 to 4 times and the power is turned off.

- (2) Press the POWER and FEED switches at the same time. When the POWER lamp and the ERROR lamp light, and six seconds later the POWER and ERROR lamps start blinking, release your fingers from both of the switches.

- (3) If the message shown at the following is printed, press the FEED switch.

Select Function

Setting Mode: Feed SW / HEX Dump Mode: Power SW

HINT

- The printer enters the HEX Dump mode by pressing the POWER switch. This mode can be checked to see the printer's transmission status. See the Technical Reference for details.
- If you do not press any switch within 30 seconds after a message is printed, the printer turns off.
- When the POWER and ERROR lamps start to blink, release your finger from the POWER and ERROR switches within 5 seconds. If it is ongoing, the printer exits function setting mode. In such a case, turn the power off and try the procedure from (1) again.

(4) If the message shown at the following is printed, press the FEED switch.

[SETTING MODE] Yes: Feed SW / No: Power SW

HINT

- If the POWER switch pressed, the printer exits the function setting mode and turns the power off.
- If you do not press any switch within 30 seconds after a message is printed, the printer turns off.

The printer is now in the function setting mode. You can set functions by pressing switches.

□ Changing Settings

In the function setting mode, you can initialize or modify settings. To set the settings to defaults, perform operation (1). To change settings, perform operation (2).

(1) Initializing software DIP switch settings

1. When the message shown at the following is printed in the function setting mode, press the FEED switch.

Load Default Setting? Yes: Feed SW / No: Power SW

2. When the message shown at the following is printed, the printer turns off. The settings are set to defaults. Initialization is complete.

Default Setting Saved.
Setting Mode Finished.

(2) Changing software DIP switch settings

When the message shown at the following is printed in the function setting mode, press the POWER switch.

Load Default Setting? Yes: Feed SW / No: Power SW

HINT

- There are DIP switches from 1 to 4 in the printer, so set 8 bits within DIP switches respectively.
- In function setting mode, the POWER lamp blinks once by pressing either the POWER switch or the FEED switch. Be sure to confirm the POWER lamp blinking in order to ensure proper operation.

Operation 1: DIP switch selection

If you press the FEED switch when the message shown at the following is printed, you can perform operation (2).

If you press the POWER switch instead of the FEED switch, the details of the printed DIP switch (DIP switch 1) are not changed, and the next DIP switch is selected (operation 1).

DIP Switch setting mode.

DIP SW-1=***** Change Setting? Yes: Feed SW / No: Power SW

HINT

- "*****" in the message indicates the setting of the DIP switch. The leftmost bit is the most significant bit (bit 8) and the rightmost bit is the least significant bit (bit 1).
- If DIP switches 1 to 4 are skipped, the function setting mode can be terminated (operation 3).

Operation 2: DIP switch setting

(1) When the message shown at the following is printed, set the bits from the most significant bit (bit 8) to the least significant bit (bit 1).

Input 8 bits. 1: Feed SW / 0: Power SW

To set 1: Press the FEED switch.

To set 0: Press the POWER switch.

For example, to set 10101110, press the switches in the following sequence:

FEED, POWER, FEED, POWER, FEED, FEED, FEED, FEED, POWER.

(2) When the switches are pressed eight times (for eight bits), the following message is printed.

DIP SW-1=***** Save Setting? Yes: Feed SW / No: Power SW

When the FEED switch is pressed, the message shown at the following is printed, and the setting is saved.

DIP SW-1=***** Saved.

When you press the POWER switch instead of the FEED switch, the message shown at the following is printed and the setting is not changed.

DIP SW-1 Not Changed.

After this operation, you can select the next DIP switch (operation 1). After setting DIP switch 4, you can exit function setting mode (operation 3).

HINT

- "*****" in the message indicates the setting of the DIP switch. The leftmost bit is the most significant bit (bit 8) and the rightmost bit is the least significant bit (bit 1).

Operation 3: Exiting function setting mode

If you press the FEED switch when the message shown at the following is printed, you can return to operation (1) and set DIP switch 1 again.

DIP Switch setting mode. Continue: Feed SW / Quit: Power SW

If you press the POWER switch, the message shown at the following is printed. The printer leaves the function setting mode and turns off. The function setting is now complete.

Setting Mode Finished.

HINT

- You can confirm the settings by performing test printing after the function setting.

□ Software DIP Switch Setting List

: Factory settings

DIP switch 1

Position	Function	Setting	
bit8	Data control	1	Busy control
		0	Xon/Xoff control
bit7	Stop Bit	1	1 bit
		0	2 bits
bit6	Parity	1	Even
		0	Odd
bit5	Parity	1	Yes (Even or Odd)
		0	None
bit4	Bit length	1	8 bits
		0	7 bits
bit3	Baud Rate (bps)	0	*1 0 0 0 *1 0 1 1
bit2		0	1200 0 2400 1 4800 1 9600 0 19200 0 38400 1 57600 1 115200
bit1		0	1 0 1 0 1 0 1 0

*1 : This setting is enabled only when Serial is selected as the communication mode with DIP switch 2.

When BHT-Ir is selected as the communication mode with DIP switch 2, the baud rate is set to 2400 bps automatically.

DIP switch 2

Position	Function	Setting							
bit8	Auto Status Output	1	Disable						
		0	Enable						
bit7	Kanji Code	1	JIS code						
		0	Shift-JIS Code						
bit6	Font Size	1	24 dots						
		0	16 dots						
bit5	Auto Power Off	1	Disable						
		0	Enable						
bit4	Character Set	1	ANK						
		0	IBM Compatible						
bit3	Auto Loading	1	Enable						
		0	Disable						
bit2	Data Input Mode	0	BHT-Ir/	0	Serial/	1	IrDA/USB	1	Bluetooth/USB *1
bit1		USB	1	USB	0	1			

*1 : This setting is enabled only the Bluetooth supported model.

DIP switch 3

Position	Function	Setting								
bit8	Reserved	1	Fixed to 1							
bit7	Print Density ^{*3}	0	95%	0	100%	1	105%	1	110%	
bit6		0		1		0		1		
bit5	Paper Select ^{*1 *3}	0	PD160R-N	0	TC98KS-LH	0	P350	0	Reserved	
bit4		0		1		1		0		1
		bit3	1	KT55F20	1	TF8067	1	TL69KS-HW76B	1	TF50KS-E2D (TP-341L-1)
0			0		1		0		1	
bit2	Paper Mode	0	Cut Paper	0	Roll Paper	1	Mark Roll Paper ^{*2}	1	Reserved	
bit1		0		1		0		1		

*1 : See Section 12 OPTIONS AND CONSUMABLE PARTS for details of papers.

*2 : For details, see DPU-S445 SERIES THERMAL PRINTER TECHNICAL REFERENCE.

*3 : If too much energy is applied to the thermal head, it would shorten its life span and cause the paper feed problem. Set an accurate thermal paper selection and print density.

If selecting the thermal paper that is different from the one specified in the thermal paper selection or in case of not setting the print density in 100%, verify the performance with your actual device before printing.

DIP switch 4

Position	Function	Setting								
bit8	Reserved	1	Fixed to 1							
bit7	Reserved	1	Fixed to 1							
bit6	Reserved	1	Fixed to 1							
bit5	Mark Position Correct ^{*1}	1	Disable							
		0	Enable							
bit4	Bluetooth Baud Rate ^{*2}	0	230400	0	57600	1	115200	1	230400	
bit3		0	bps	1	bps	0	bps	1	bps	
bit2	CTS Control	1	Disable							
		0	Enable							
bit1	Auto Activation by AC ^{*3}	1	Disable							
		0	Enable							

*1 : When Paper Mode of DIP switch 3 is set as Mark Roll Paper, the printer operates paper feeding to backward approximately 5 mm just before printing process after operations such as the power on, resetting, FEED switch or page feed. If the function sets to Enable, be sure to send printing pattern that is longer than 5 mm. If the function sets to Enable while using the label paper, the length of label should be 40 mm or longer.

*2 : This setting is enabled only the Bluetooth supported model. Generally, select Bluetooth baud rate to 230400bps.

*3 : If this setting is enabled, the printer turns on automatically when the AC cable of the AC adapter inserts to the outlet.

7 CONNECTING TO THE HOST DEVICE

This printer supports serial and USB communication through an interface cable and infrared communication based on IrDA (Ver1.2). Moreover, the Bluetooth supported model supports Bluetooth (Ver.2.0+EDR)-compliant wireless communication.

The printer function setting differs depending upon a communication method to be used. See Section 6 FUNCTION SETTINGS for details.

An interface cable is required to perform serial or USB communication. See Section 11 SPECIFICATIONS for details of interface specifications.

The communication speed might be reduced depending on data processing by software as well as print type and size.

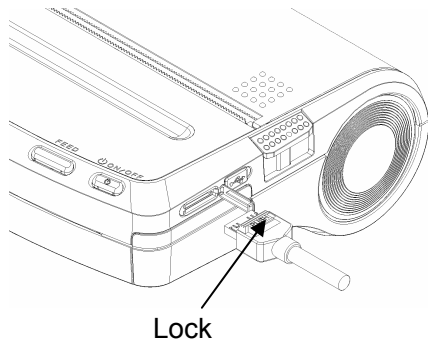
NOTE: Unsupported Bluetooth printer does not support wireless communication.

HINT

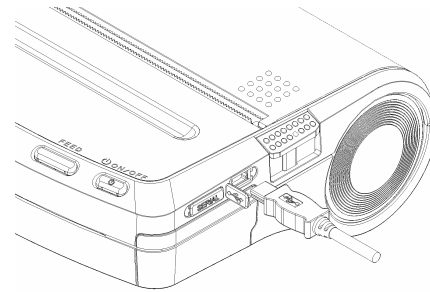
- Connecting the printer and the host device using the USB interface cable makes fix to communication method as USB communication mode regardless of selection of communication mode by the function setting. DO NOT connect the USB interface cable If other communication modes are required.

□ Serial/USB Communication with an Interface Cable

- (1) Turn the printer off.
- (2) Open the interface connector cover and connect the interface cable. The connector of serial interface cable has lock for preventing from falling off.
- (3) Turn the printer on and send data from the host device to the printer.
- (4) Verify that the data is printed correctly.
- (5) The serial interface cable connector has a lock. To remove the cable, pull it out, while holding the lock. Pulling the connector by force may cause connector damaged.



Serial interface cable



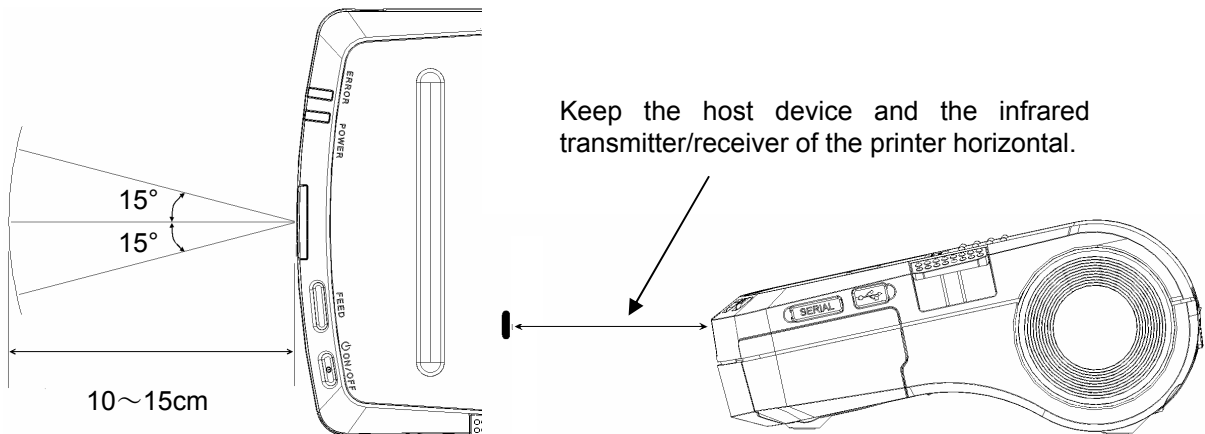
USB interface cable

NOTE

- When plugging or unplugging the interface cable, hold the connector, not the cable.
- DO NOT connect the serial and USB interface cable at the same time. If doing so, the USB communication mode has priority over the serial communication.

□ Infrared communication by IrDA

- (1) Turn the printer off.
- (2) Turn the printer on without connecting the interface cable to it.
- (3) Place the infrared transmitter/receiver of the host device and the infrared transmitter /receiver of the printer as shown in the figure.
- (4) Check communication status from the host device.
- (5) Send data from the host device to the printer. Verify that the printer prints it correctly.



NOTE

- The host device must conform to IrDA (Ver. 1.2) or BHT-Ir protocol.

HINT

- The positions shown in the figure are for reference. The best positions depend on the model and environmental conditions.

□ Bluetooth-based Wireless Communication (Bluetooth supported model)

- (1) Turn the printer off.
- (2) Turn the printer on without connecting the USB interface cable to it.
- (3) Check communication status from the host device.
- (4) Send data from the host device to the printer. Verify that the printer prints it correctly.



WARNING

- ◆ The printer may affect medical or other electronic devices. Obtain information and data concerning influence due to radio interference from the respective manufacturers or dealers.
- ◆ When using the printer in medical institutions, follow their guidelines.
- ◆ POWER OFF the printer in an airplane for safety.
- ◆ DO NOT use the printer in any area or district where its use is prohibited.

HINT

- The distance of communication is approx. 10 m. However, that distance may differ depending on the radio interference and environment.

8 RECHARGING THE BATTERY PACK

The battery pack is partially charged prior to shipping, and provides sufficient power to check the printer operation. To use the printer for an extended time, fully recharge the battery pack.

This battery pack does not need to be used up or discharged before recharging. The battery pack can be recharged when it is installed in the printer connected with an AC adapter. The battery pack can also be recharged with exclusive battery charger.

□ Recharging the Battery Pack in the Printer

An AC adapter and an AC cable are required to recharge the battery pack in the printer.

- (1) Turn the printer off.
- (2) Install the battery pack in the printer.
- (3) Connect the AC adapter to the printer.
- (4) Plug the AC plug of the AC cable to the outlet.
- (5) Turn the printer on. After initialization, the POWER lamp starts blinking after lighting, recharging begins.
- (6) The POWER lamp will continue to blink while recharging. When recharging is complete, the POWER lamp lights continuously. At this time, when the paper is not set or the paper cover is opened, the ERROR lamp lights. The recharging time depends on the ambient temperature and the voltage level of the battery pack. Normally, it takes about 3 hours to recharge after running down a battery pack.

NOTE

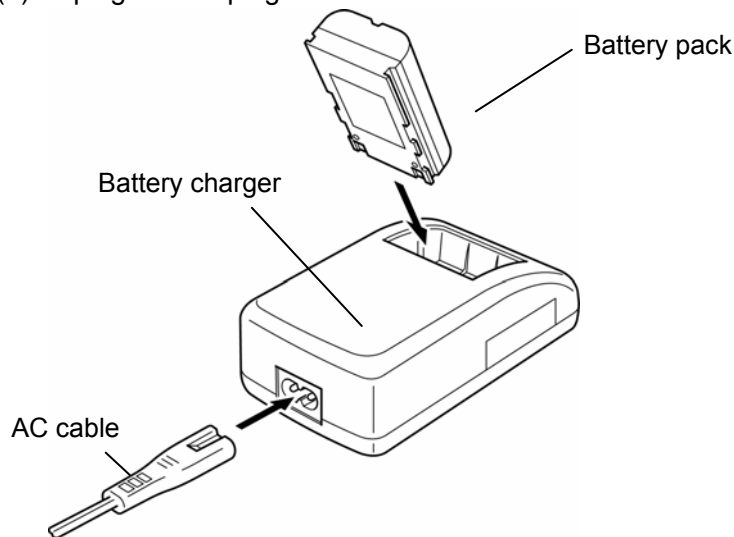
- DO NOT remove the battery during recharging. If it is removed during recharging, remove the AC plug from the outlet immediately. Never touch the battery terminal. Remove the interface cable from the connector during recharging.

HINT

- The printer can print or receive data while it is recharging the battery pack, too. While printing or receiving data, the POWER lamp lights continuously and the printer pauses to recharge. The printer recharges the battery again after printing and receiving data are completed.
- To stop recharging, press the POWER switch. The printer will turn off. To recharge the battery pack again, repeat the steps shown in (5).
- The battery pack should be recharged at 32 to 95°F (0 to 35°C) for optimum performance.
- If the Auto Activation by AC function is enabled, the printer turns on automatically when the AC cable of the AC adapter inserts to the outlet. See Section 6 Function Setting for details on settings.

□ Recharging with Specified Battery Charger

- (1) Connect the AC cable to the battery charger.
- (2) Plug the AC plug of the AC cable to the outlet.
- (3) Install a battery pack in the battery charger. Make sure that electrodes of the battery pack contact the terminals of the metal on the battery charger.
- (4) The battery charger CHARGE lamp (red) will light and the battery charger will start recharging.
- (5) When the CHARGE lamp turns its lamp to green color, the battery pack is sufficiently recharged.
- (6) When recharging is complete, remove the battery pack.
- (7) Unplug the AC plug of the AC cable to the outlet.



NOTE

- When the battery charger is connected to the outlet, do not bring any metal object into contact with the metal terminal.
- Unplug the battery charger from the outlet after using. Remove the recharged battery pack from the battery charger within 24 hours.

HINT

- The battery pack should be recharged at 32 to 95°F (0 to 35°C) for optimum performance.

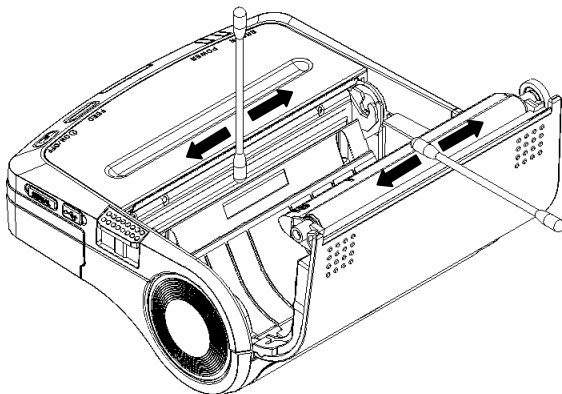
9 THERMAL HEAD MAINTENANCE

The thermal head of this printer does not require user maintenance.

If paper dust accumulates, clean the thermal head to maintain maximum print quality for an extended time.

□ **Cleaning the Thermal Head**

- (1) Turn the printer off.
- (2) Unplug the AC plug of the AC cable to the outlet.
- (3) Removed the battery pack from the printer.
- (4) Open the paper cover.
- (5) Clean the thermal head or the platen roller with a cotton swab moistened with a small amount of ethyl alcohol.
- (4) Wait until any ethyl alcohol remaining on the thermal head and the platen roller evaporates completely, then close the paper cover.



NOTE

- Clean the thermal head after it cools.
- Wipe the thermal head with a cotton swab or other soft material.
- DO NOT touch the gear of the platen roller. Doing so may cause loss of printing quality or a failure.

10 TROUBLESHOOTING

Check the following points before you make a request for repair.

□ **The power does not turn on.**

- Is specified AC adapter or battery pack being used ?
- Are the AC cable and AC adapter connected correctly ?
- Is the AC adapter connected to the printer correctly ?
- Is the battery pack fully recharged?

□ **The printer does not print.**

- Is the interface cable connected correctly ?
- Is the interface cable that meets the Interface Specifications of the User's Guide being used ?
- Are used communication method and the function setting of the printer correct?
- Is the Bluetooth or IrDA communication status good ?
- Are the communication conditions for the printer and the host device correct ?
- Is specified paper being used ? Is the paper orientation (top/bottom) correct ?

□ **The ERROR lamp is lit or the POWER lamp blinks.**

- See the Lamp Display on page 14.
- Is the printer function setting correct ?

□ **The battery pack is not installed.**

- Is the battery pack correctly oriented ?
- Is the correct battery pack being used ?

□ **The battery runs out soon even if recharged.**

- Has the battery been recharged correctly ?
- If the battery pack is recharged correctly, but does not last for a long time, it is almost dead. Replace it with a new one.

11 SPECIFICATIONS

□ Printer Specifications

Item	Specification
Model	DPU-S445-00A-E (Bluetooth unsupported model) DPU-S445-01A-E (Bluetooth supported model)
Printing method	Thermal
Characters per line	52 ^{*1}
Character size	
(H × W)	Standard size: 24 dots × 12 dots
(H × W)	Kanji size: 24 dots × 24 dots
Dots available	832 dots
Dot density	8 dots/mm
Printing width/paper width	104/112mm
Printing speed	90 mm/s maximum
Operating temperature	32°F to 122°F 0°C to 50°C
Related humidity	30% to 80%RH (no condensation)
Dimensions (W × D × H)	145 × 135 × 58mm ^{*2}
Mass	Approx. 490 g (include battery pack)

^{*1} Standard size characters, character spacing is 4 dots.

^{*2} Excluding projections

□ Specified AC Adapter Specifications (Option)

Item	Specification
Model	PW-0904-W1-E
Input voltage	100-240 VAC, 50/60 Hz
Rated output	9.3 VDC, 4A
Operating temperature	32°F to 104°F 0°C to 40°C
Dimensions (W × D × H)	110 × 62 × 32mm ^{*1}
Mass	Approx. 300 g

^{*1} Excluding cable

□ Specified Battery Pack Specifications (Option)

Item	Specification
Model	BP-L0720-A1-E
Battery	Lithium ion
Rated voltage	7.4 VDC
Rated capacity	2000mAh
Operating temperature	32°F to 122°F (discharging) 0°C to 50°C (discharging) 32°F to 95°F (recharging) 0°C to 35°C (recharging)

□ Specified Battery Charger Specifications (Option)

Item	Specification
Model	PWC-L07A1-W1-E
Input voltage	100-240 VAC, 50/60 Hz
Rated output	8.4VDC, 1A
Specified battery	BP-L0720-A1-E
Operating temperature	32°F to 95°F 0°C to 35°C
Dimensions (W × D × H)	70 × 120 × 41mm
Mass	Approx. 140g

□ Interface Specifications

· Serial interface

Item	Specification
Synchronous	Asynchronous system
Baud rate	1200, 2400, 4800, 9600, 19200, 38400, 57600, 115200bps
Data length	7 or 8 bits
Parity	None, Even or Odd
Data control	Busy or Xon/Xoff

• Connector signals

Pin	Signal	I/O
1	NC	-
2	TxD	O
3	RxD	I
4	connected to 6	-
5	GND	-
6	connected to 4	-
7	CTS	I
8	RTS	O

3260-8S3 HIROSE ELECTRIC CO.,LTD. or
corresponding product.

· USB interface

Item	Specification
Version	Ver 2.0 based
Printer data transmission mode	Bulk transfer (12M bps)

• Connector signals

Pin	Signal
1	Vbus
2	D-
3	D+
4	NC
5	GND

Mini B type

· Infrared interface

Item	Specification
Version	IrDAVer 1.2 based BHT-Ir protocol based

· Bluetooth interface

Item	Specification
Version	Ver 2.0+EDR based
Transmitted electric power class	Class 2
Connection mode	Peer-to-peer
Profile	Serial port

□ List of Compliance with Regulation

This printer and accessories comply with the regulation under countries as shown below.

Be sure to use the products in the following countries because acceptable one differs in each countries.

○: Compliance with regulation

Regulation under countries ^{*1}	DPU-S445-00A-E (Bluetooth unsupported model)	DPU-S445-01A-E (Bluetooth supported model)	PW-0904-W1-E ^{*2} (Specified AC adapter)	PWC-L07A1-W1-E ^{*2} (Specified battery charger)
Japan	○	○	○	○
USA	○	○	○	○
Canada	○	○	○	○
EU, EFTA	○	○	○	○

^{*1} Please ask if the products can use in other than countries above to our sales representative.

^{*2} The model of complied AC cable differs in countries which accept it, refer to the following list.

□ List of Specified AC cable

· For Specified AC Adapter (PW-0904-W1-E)

Countries	Model ^{*1}	Maker
Japan	CB-JP02-18B-E	SII
USA, Canada	CB-US02-18B-E	SII
EU, EFTA	CB-CE02-18B-E	SII

^{*1} Use the model only in countries listed above.

· For Specified Battery Charger (PWC-L07A1-W1-E)

Countries	Model ^{*1}	Maker
Japan	CB-JP01-18B-E	SII
USA, Canada	CB-US01-18B-E	SII
EU, EFTA	CB-CE01-18B-E	SII

^{*1} Use the model only in countries listed above.

12 OPTIONS AND CONSUMABLE PARTS

□ Options

Name	Model
Specified Battery pack	BP-L0720-A1-E
Specified AC adapter	PW-0904-W1-E
Specified AC cable (for specified AC adapter) ^{*1}	
For Japan	CB-JP02-18B-E
For USA, Canada	CB-US02-18B-E
For EU, EFTA	CB-CE02-18B-E
Specified Battery charger	PWC-L07A1-W1-E
Specified AC cable (for specified battery charger) ^{*1}	
For Japan	CB-JP01-18B-E
For USA, Canada	CB-US01-18B-E
For EU, EFTA	CB-CE01-18B-E
Specified Serial cable	IFC-S01-1-E
Specified USB cable	IFC-U01-1-E

^{*1} The shape of the outlet differs in countries. Please confirm it before using.

□ Thermal Paper line

Model	Specification
TP-341L-1	112 mm width, 48mm diameter roll

□ Specified Thermal Paper line ^{*1}

Model	Maker	Remark ^{*2}
PD160R-N	Oji Paper Co., Ltd.	Use as the paper roll
TF50KS-E2D	Nippon Paper Industries Co.	Use as the paper roll
P350	Kanzaki Specialty Papers	Use as the paper roll
KT55F20	Papierfabrik August Koehler AG	Use as the paper roll
TF8067	Mitsubishi Hi-Tech Paper	Use as the cut sheet
TC98KS-LH	Nippon Paper Industries Co.	Use as the cut sheet
TL69KS-HW76B	Nippon Paper Industries Co.	Use as the label paper

^{*1} We do not offer these models.

^{*2} Refer to the technical reference for more details.

If using the thermal paper that is not specified, quality of printing or specified life span of the thermal head would not be guaranteed.



Seiko Instruments Inc.
1-8, Nakase, Mihama-ku, Chiba-shi,
Chiba 261-8507, Japan
Print System Division
Telephone:+81-43-211-1106
Facsimile:+81-43-211-8037

Seiko Instruments USA Inc.
Thermal Printer Div.
2990. Lomita Blvd., Torrance, CA 90505, USA
Telephone:+1-310-517-7778 Facsimile:+1-310-517-8154

Seiko Instruments GmbH
Siemensstrasse 9, D-63263 Neu-Isenburg, Germany
Telephone:+49-6102-297-0 Facsimile:+49-6102-297-222

Seiko Instruments (H.K.) Ltd.
4-5/F, Wyler Center 2,200 Tai Lin Pai Road, Kwai Chung, N.T., Kowloon,
Hong Kong
Telephone:+852-2494-5160 Facsimile:+852-2424-0901

(Specifications are subject to change without notice.)