



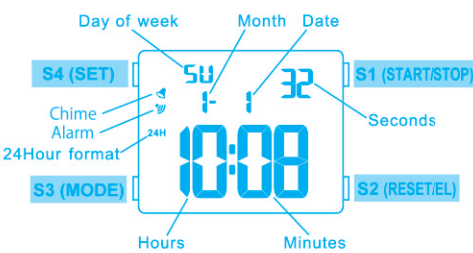
LORUS

CAL. Z027, Z028 (R23 SERIES)

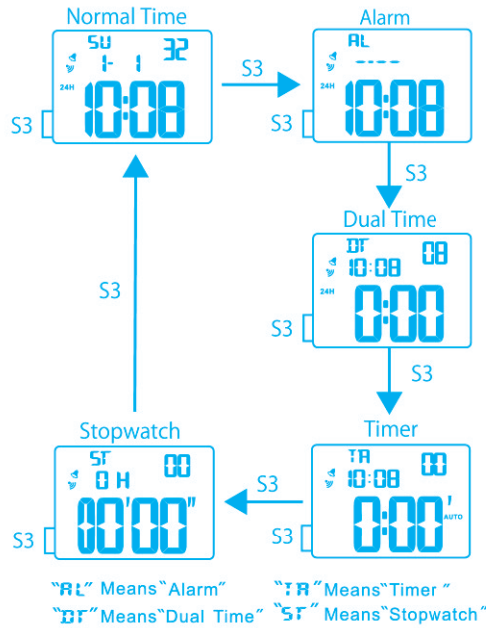
■ CHARACTERISTICS

- 1. Time/Calendar Display:** Hour, minute, second, month, date and day of the week
- 2. Automatic calendar:** the calendar automatically adjusts for odd and even months including Februaries of leap years up to 2049
- 3. Time Indication:** Choice of 12-hour display format with PM indication or 24-hour display format is available.
- 4. Stopwatch:** The stopwatch can measure up to 23 hours 59 minutes and 59 seconds in 1/100-second increments. Lap time measurement is available.
- 5. Timer:** The countdown timer can be set up to 23 hours 59 minutes and 59 seconds.
- 6. Alarm:** The alarm can be set to sound at the designated time on a 24-hour basis.
- 7. Dual Time Display:** Time in a different time zone can be displayed.
- 8. Chime:** The chime can be set to sound every hour on the hour with a single beep.
- 9. Illuminating Light:** The built-in electro-luminescent (EL) light evenly illuminates the display for easy viewing in darkness.

■ BUTTONS AND DISPLAYS



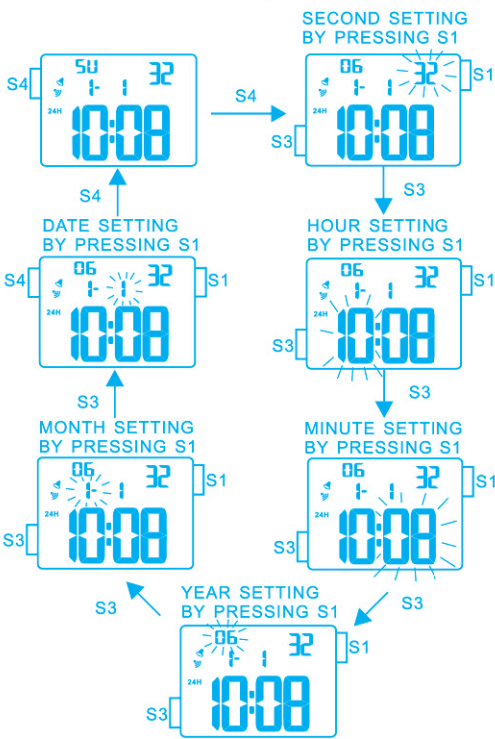
To change the display mode, press S3. The display mode changes in the following order.



■ HOW TO SET THE TIME/CALENDAR

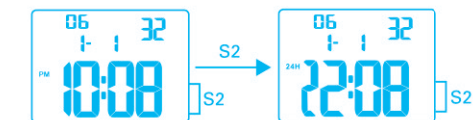
- Press S4 to change the display to the TIME/CALENDAR SETTING mode. The second digits start flashing.
- Press S1 in accordance with a time signal. The second digits are reset to "00" and start counting immediately.

When the second digits count any number from "30" to "59" and S1 is pressed, one minute is added and the seconds are immediately reset to "00."
- Press S3 to confirm the second setting and move on to the next item.
- To set the digits for each item, press S1 to set the digits. One digit (flashing) is increased with each pressing of S1. To move the digits quickly, keep the button pressed. Press S3 to confirm the second setting and move on to the next item.
- After all the adjustments are completed, press S4 to return to the TIME/CALENDAR mode.
- Day of week will change automatically based on date changing.



Choice of 12-Hour/24-Hour format

In the TIME/CALENDAR SETTING mode, press S2 to select either 12-hour indication or 24-hour indication.



■ HOW TO USE THE ALARM

ALARM SETTING

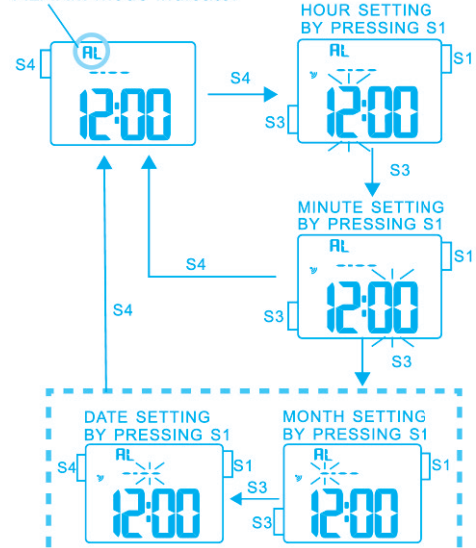
- Press S3 once to go to the ALARM mode. The ALARM mode indicator appears on the display.
- Press S4 to change the display to the ALARM SETTING mode. The hour digits start flashing.
- Press S1 to set the hour digits. One digit (flashing) is increased with each press of S1. To move the digits quickly, keep the button pressed.
- Press S3 to confirm the hour setting and move on to the minute setting. The minute digits start flashing.
- Press S1 to set the minute digits. One digit (flashing) is increased with each press of S1. To move the digits quickly, keep the button pressed.

OPTIONAL (month and date setting)

- Press S3 to confirm the minute setting and move on to the month setting.
- Press S1 to set the month.
- Press S3 to confirm the month setting and move on to the date setting.
- Press S1 to set the date.

- Press S4 to complete the alarm setting and press S3 to return to the TIME/CALENDAR mode.

ALARM mode indicator



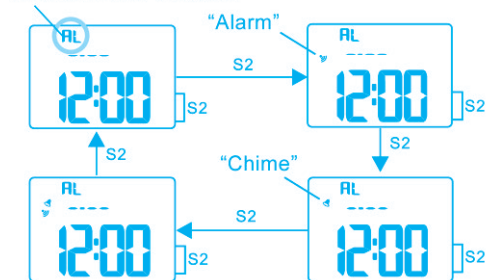
OPTIONAL (month and date setting)

If the month and date are set in the alarm mode, the alarm sounds only once at the set time on the set date. If the month and date are not set but only the time is set in the alarm mode, "--" will be shown below the alarm indicator, indicating the alarm is set daily, and the alarm sounds at the set time everyday.

■ ENGAGEMENT/DISENGAGEMENT OF THE ALARM & CHIME

- Press S3 to go to the ALARM mode.
- With each press of S2, the alarm and chime can be engaged or disengaged in the following order. The ALARM signal and/or CHIME signal appear on the display accordingly.
- Press S3 to return to the TIME/CALENDAR mode.

ALARM mode indicator



How to stop the alarm while sounding

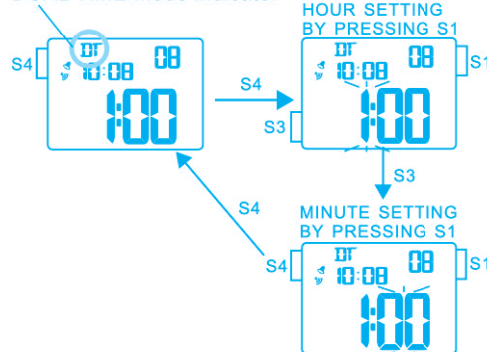
The alarm sounds for 10 seconds at the designated time. To stop it manually while sounding, press any button.

Note: The alarm can be set only in one time zone.

■ HOW TO SET THE SECOND TIME ZONE

- Press S3 twice to go to the DUAL TIME mode. The DUAL TIME mode indicator appears on the display.
- Press S4 to change the display to the DUAL TIME SETTING mode. The hour digits start flashing.
- Press S1 to set the hour digits. One digit (flashing) is increased with each press of S1. To move the digits quickly, keep the button pressed.
- Press S3 to confirm the hour setting and move on to the minute setting. The minute digits start flashing.
- Press S1 to set the minute digits.
- Press S4 to complete the second time zone setting.
- Press S3 to return to the TIME/CALENDAR mode.

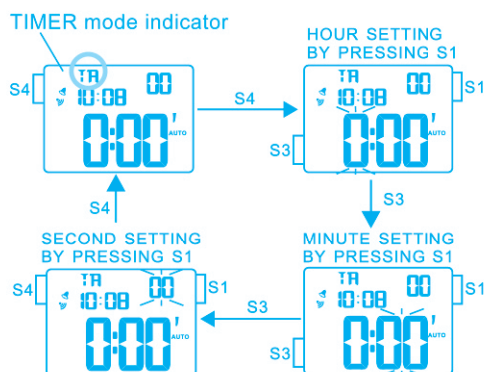
DUAL TIME mode indicator



■ HOW TO USE THE TIMER

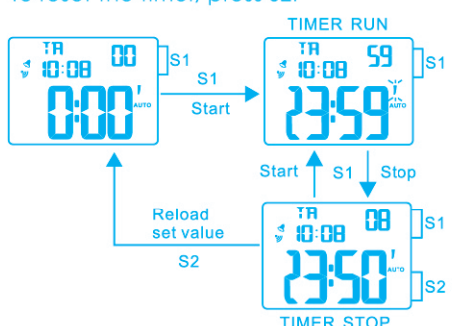
TIMER SETTING

1. Press S3 three times to go to the TIMER mode. The TIMER mode indicator appears on the display.
2. Press S4 to change the display to the TIMER SETTING mode. The hour digits start flashing.
3. Press S1 to set the hour digits. One digit (flashing) is increased with each pressing of S1. To move the digits quickly, keep the button pressed.
4. Press S3 to confirm the hour setting and move on to the minute setting. The minute digits start flashing.
5. Press S1 to set the minute digits. One digit (flashing) is increased with each pressing of S1. To move the digits quickly, keep the button pressed.
6. Press S3 to confirm the minute setting and move on to the second setting. The second digits start flashing.
7. Press S1 to set the second digits. One digit (flashing) is increased with each pressing of S1. To move the digits quickly, keep the button pressed.
8. Press S4 to complete the timer setting.



TIMER OPERATION

1. Press S1 in the TIMER mode to start the timer.
2. Press S1 to stop the timer.
3. To reset the timer, press S2.



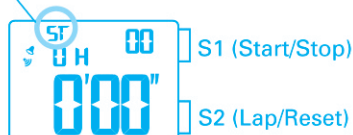
How to stop the TIMER alarm while sounding

The TIMER alarm sounds for 10 seconds when time's up. To stop it manually while sounding, press any button.

■ HOW TO USE THE STOPWATCH

Press S3 four times to go to the STOPWATCH mode. The STOPWATCH mode indicator appears on the display.

STOPWATCH mode indicator



STOPWATCH OPERATION

Standard Measurement



Lap Time Measurement



* Measurement and release of lap times can be repeated when S2 is pressed.

■ ILLUMINATING LIGHT

In any mode press S2 to illuminate the display for about 2 seconds.

Note:

1. The backlight of the watch employs an electro-luminescent (EL) light, which tends to lose illuminating power after very long use.
2. The illumination provided by backlight may be hard to see when viewed under direct sunlight.

■ BATTERY CHANGE

The miniature battery which powers your watch should last as individually specified below. However, because it is inserted at the factory, the actual life of the battery once in your possession may be less than the specified period.

Be sure to replace the battery to prevent any possible malfunction as soon as it runs down.

CAL. NO.	BATTERY	BATTERY LIFE (Approx.)
Z027	CR2016, 1 piece	2.5 years
Z028	CR2032, 1 piece	5 years

Note: If the alarm is used for more than 20 seconds a day and/or the illuminating light for more than 8 seconds a day, the battery life may be less than the specified period.

CAUTION

To replace the batteries, we recommend taking the watch to a local watch repair shop.

Do not expose the old battery to fire or recharge it.

■ CARE OF YOUR LORUS WATCH



WARNING

Please note that there is a risk of serious consequences such as severe injury if the following safety regulations are not strictly observed.

- **Immediately stop wearing the watch in following cases.**
 - If the watch body or band becomes edged by corrosion etc.
 - If the pins protrude from the band.
- * Immediately consult the retailer from whom the watch was purchased or LORUS SERVICE NETWORK.
- **Keep the watch and accessories out of the reach of babies and children.**
 - Care should be taken to prevent a baby or a child accidentally swallowing the accessories.
 - If a baby or child swallows the battery or accessories, immediately consult a doctor, as it will be harmful to the health of the baby or child.
 - DEATH or serious injury can occur if ingested.
 - A swallowed button cell or coin battery can cause Internal Chemical Burns in as little as 2 hours.

• WATER RESISTANT

Condition of use	Accidental contact with water, such as splashes and rain	Swimming and taking a shower	Skin diving	Scuba diving
No Indication on the dial/case back	NO	NO	NO	NO
WATER RESISTANT	YES	NO	NO	NO
WATER RESISTANT (50M/5 BAR)	YES	YES	NO	NO
WATER RESISTANT (100M/10 BAR or above)	YES	YES	YES	NO

* If your watch is 200 M/20 BAR, 100 M/10 BAR or 50 M/5 BAR water resistant, it is so indicated on the dial/case back.



CAUTION

- Do not operate the buttons when the watch is wet.
- If the watch is exposed to salt water, rinse it in fresh water and then wipe it thoroughly dry.
- Should you find any water or condensation inside the watch, immediately have it checked. Water can corrode electric parts inside the case.



CAUTION

This watch contains precise electronic components. Never attempt to open the case or remove the back cover.

• LEATHER BAND

- A leather band is susceptible to discoloration and deterioration from moisture, sweat and direct sunlight.
- Wipe off moisture and sweat as soon as possible by gently blotting them up with a dry cloth.
- Do not expose the watch to direct sunlight for a long time.
- Please take care when wearing a watch with light-colored band, as dirt is likely to show up.
- Refrain from wearing a leather band watch other than Aqua Free bands while bathing, swimming, and when working with water even if the watch itself is water-resistant enforced for daily use (10-BAR/20-BAR water resistant).

• PLASTIC BAND

- As for material characteristics, the band is easily dirtied, and may be stained and discolored. Wipe off dirt with a wet cloth or cleaning tissue.
- Unlike bands of other materials, cracks may result in the band being cut. Take care not to damage the band with an edged tool.

• ALLERGIC REACTION

Because the case and band touch the skin directly, it is important to clean them regularly. If not, shirt sleeves may be stained and those with delicate skin may develop a rash. Please wear the watch with some play to avoid any possible allergic reaction. If you develop a rash on your wrist, stop wearing and consult a physician.

• MAGNETISM

Your watch will be adversely affected by strong magnetism. Keep it away from close contact with magnetic objects.

• SHOCKS AND VIBRATIONS

Your watch may be worn for normal sports activities, but be careful not to drop it or hit it on hard surfaces.

• TEMPERATURE

Your watch is preadjusted so that constant accuracy may be insured at normal temperature.

• CLEANING

Use only a soft cloth and clean water for cleaning your watch. Never use chemicals, as the waterproof gasket will corrode.

■ SERVICE

When your LORUS watch requires repair or servicing, please see the enclosed WARRANTY/GUARANTEE.