



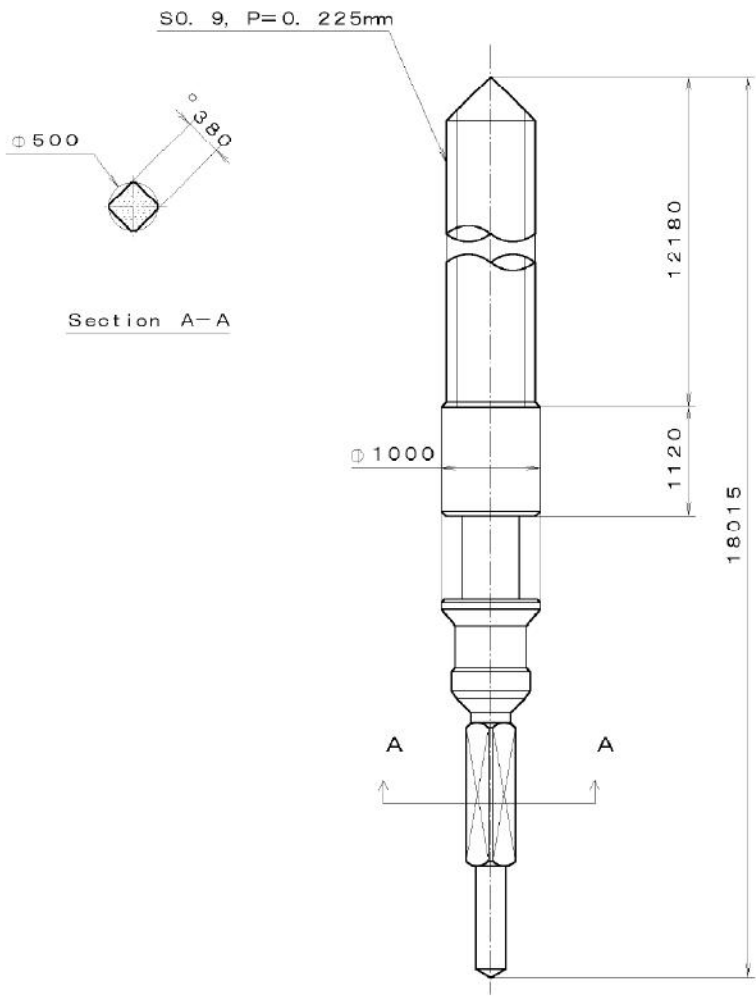


w A w 26 -31

This drawing is provisional and subject to our reconfirmation and/or revision without notice.

DATE: 00-10-28
 2100 1121
 065-379 (C1) 1/25



△			Quantity		Cal. No. :
△			Unit	1/1000 mm	Parts:
△			Scale	20:1	
△			Date		Name:
△			Drawn		
△			Checked	T. Hiruta	Drawing No. : 37906000
△			Approved		
Material			General Tolerances		
Heat Treatment			Dimensions		
Hardness			Angles		
Plating					

