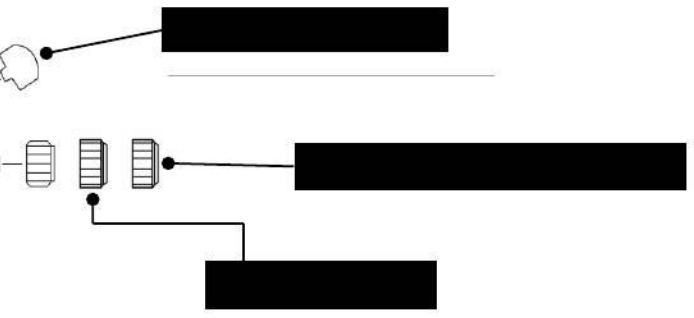
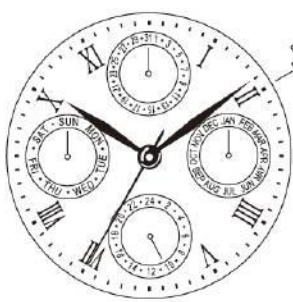
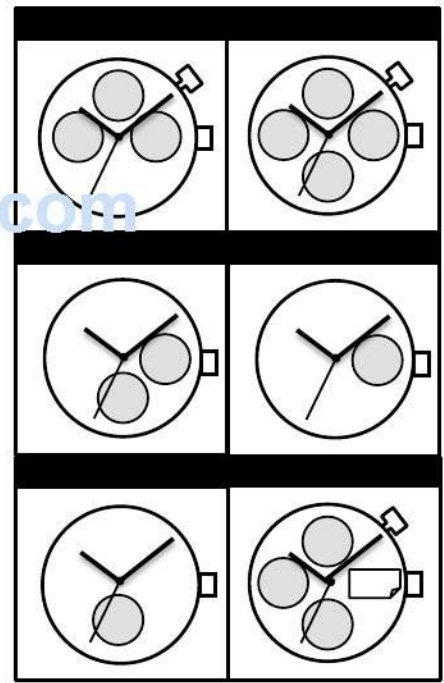
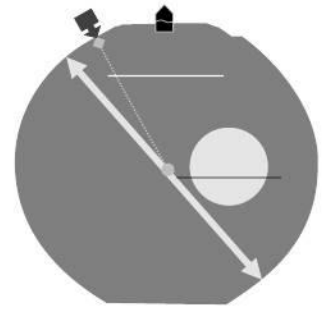
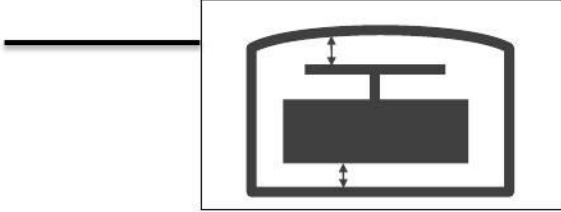


ManualsLib.com



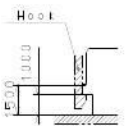
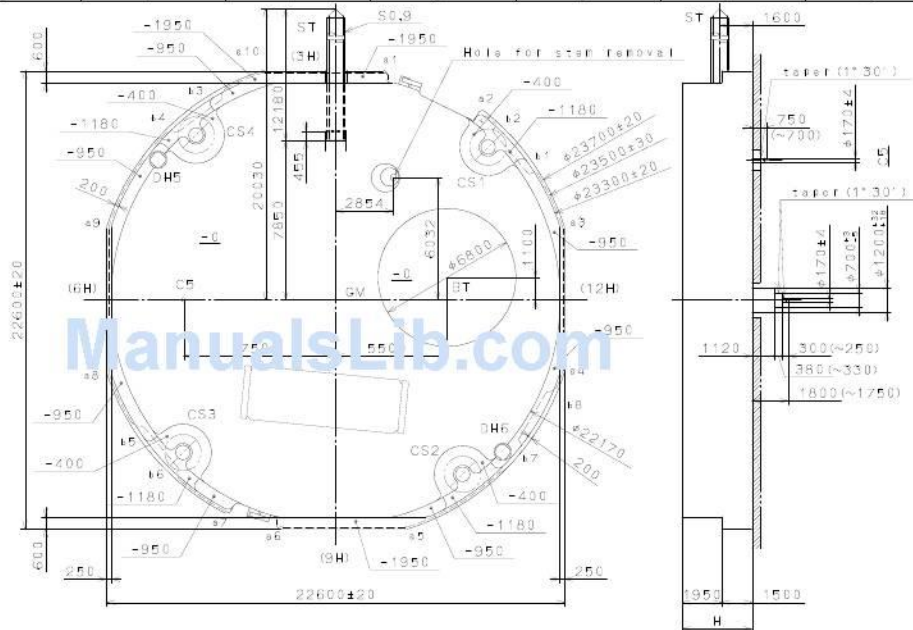
ManualsLib.com

CONFIDENTIAL 2014/02/18 (Rev.16/05)
This drawing is provisional and subject to our recommendation and/or revision without notice.

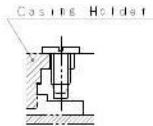
DH5-DH6=22287 (±20)

Coordinates

Point	X	Y	R
GV	0	0	—
DH5	-9750	6900	—
DH6	8251	-7500	—
a1	2351	11100	200
a2	7235	8131	200
a3	13660	3490	500
a4	13660	-3490	500
a5	3490	-10800	500
a6	-3760	-11100	200
a7	-6349	-10214	300
a8	-13660	-3490	500
a9	-13660	3490	500
a10	-3490	10800	500
b1	9581	6360	150
b2	7928	8331	150
b3	-5773	8944	150
b4	-7639	8415	150
b5	-9572	-6374	150
b6	-7916	-8342	150
b7	9196	-6906	150
b8	13661	-4850	150



Section b1~b8



Section CS1~4

	H
With Battery stop	3600
Without Battery stop	3450

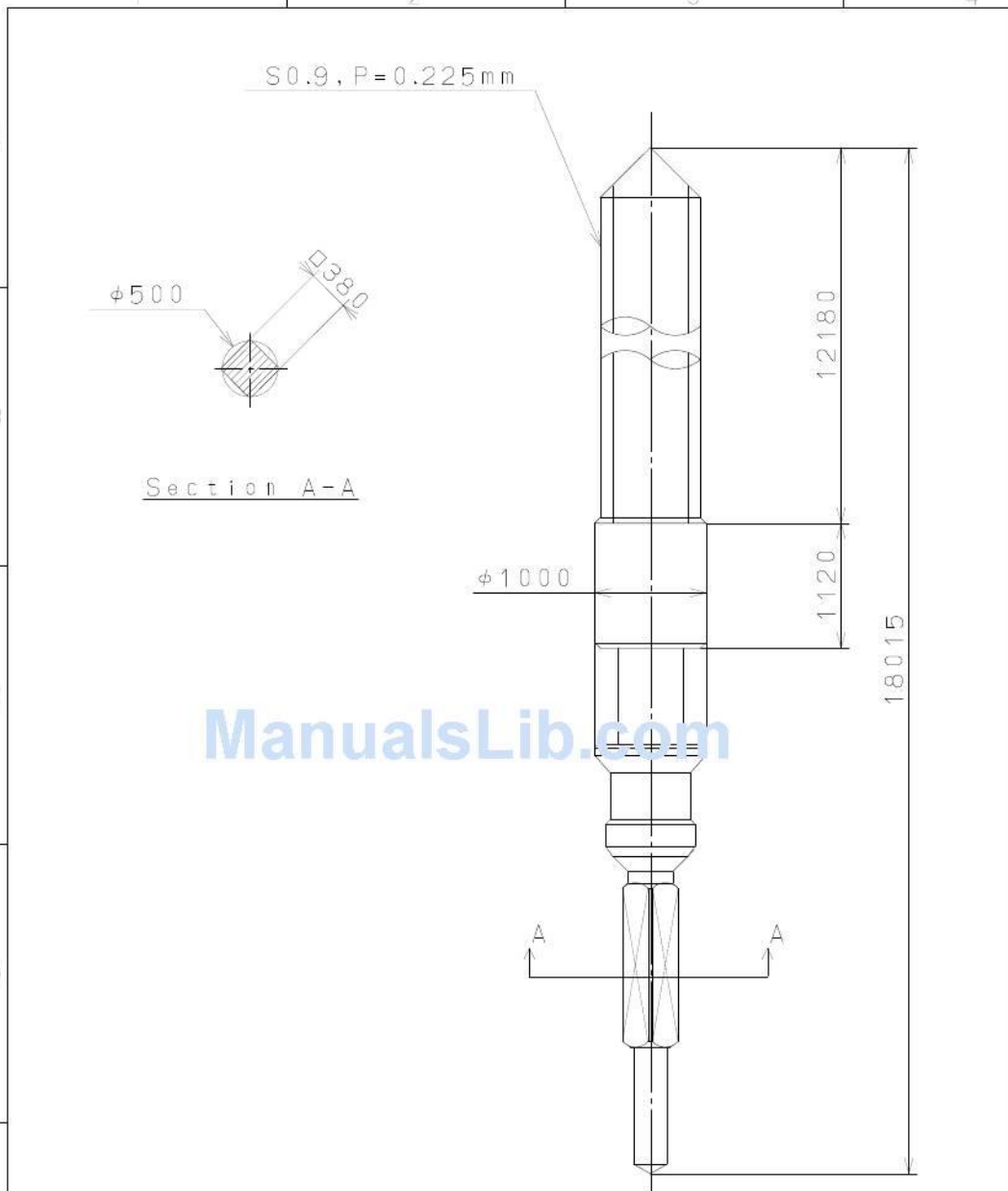
Part No.		Quantity		Unit	Part No.
1		1	1/1000mm		692B
2		Scale	2:1		Part No.
3		Date			
4		Drawn			
5		Checked			
6		Approved			
7		Checked			
8		Checked			
9		Checked			
10		Checked			
11		Checked			
12		Checked			
13		Checked			
14		Checked			
15		Checked			
16		Checked			
17		Checked			
18		Checked			
19		Checked			
20		Checked			
21		Checked			
22		Checked			
23		Checked			
24		Checked			
25		Checked			
26		Checked			
27		Checked			
28		Checked			
29		Checked			
30		Checked			
31		Checked			
32		Checked			
33		Checked			
34		Checked			
35		Checked			
36		Checked			
37		Checked			
38		Checked			
39		Checked			
40		Checked			
41		Checked			
42		Checked			
43		Checked			
44		Checked			
45		Checked			
46		Checked			
47		Checked			
48		Checked			
49		Checked			
50		Checked			
51		Checked			
52		Checked			
53		Checked			
54		Checked			
55		Checked			
56		Checked			
57		Checked			
58		Checked			
59		Checked			
60		Checked			
61		Checked			
62		Checked			
63		Checked			
64		Checked			
65		Checked			
66		Checked			
67		Checked			
68		Checked			
69		Checked			
70		Checked			
71		Checked			
72		Checked			
73		Checked			
74		Checked			
75		Checked			
76		Checked			
77		Checked			
78		Checked			
79		Checked			
80		Checked			
81		Checked			
82		Checked			
83		Checked			
84		Checked			
85		Checked			
86		Checked			
87		Checked			
88		Checked			
89		Checked			
90		Checked			
91		Checked			
92		Checked			
93		Checked			
94		Checked			
95		Checked			
96		Checked			
97		Checked			
98		Checked			
99		Checked			
100		Checked			

MIYOTA

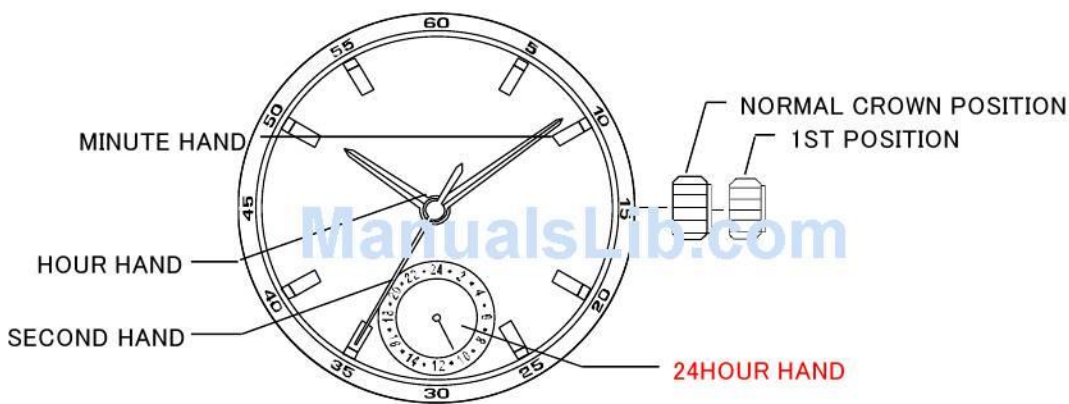
(10)E-WTR Co., Ltd. Tokyo, JAPAN

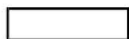
2010/05/12 (17:15:34)

This drawing is provisional and subject to our reconfirmation and/or revision without notice.



△			Quantity		Cal. NO.:
△			Unit	1/1000mm	
△			Scale	20:1	Parts No.:
△			Date		065-379
△			Drawn		
Material			Checked	T. Hiruta	Name:
Heat Treatment			Approved		SETTING STEM
Hardness					Drawing No.:3790S000
Plating			General Tolerances		MIYOTA
			Dimensions		
			Angles		
					CITIZEN WATCH CO., LTD., TOKYO, JAPAN





ManualsLib.com