





CITIZEN®



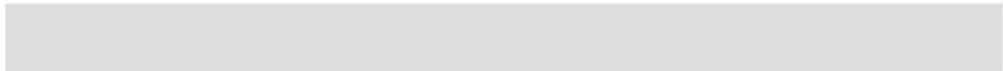


---







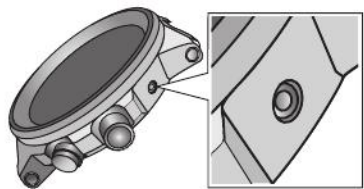


[REDACTED]

[REDACTED]

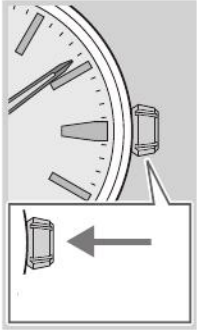
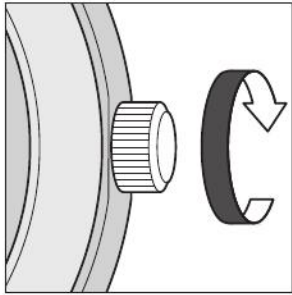
[REDACTED]

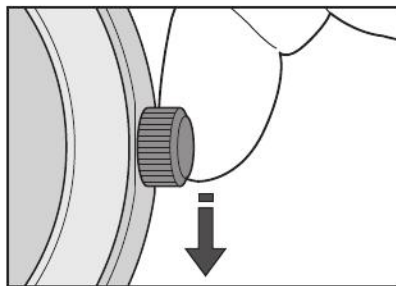
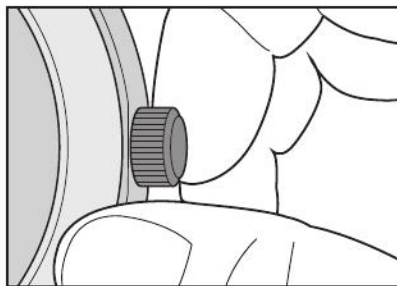
		
		











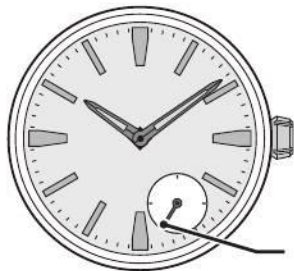
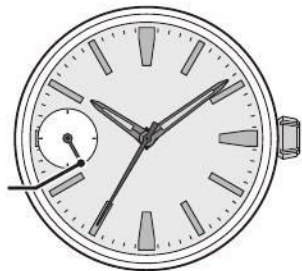
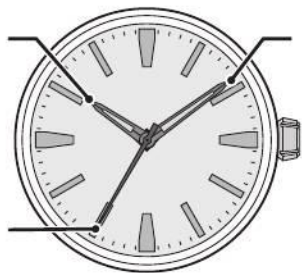


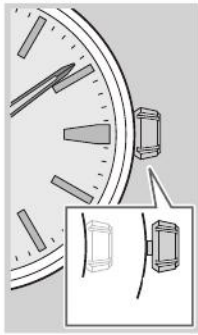
## Setting the time

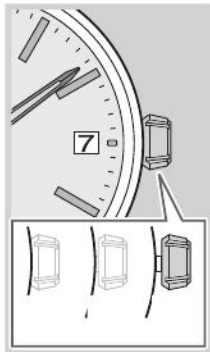
When the watch is stopped, wind the mainspring beforehand.

There are two ways to set the time: one is for models equipped with the calendar; the other is for those with no calendar.

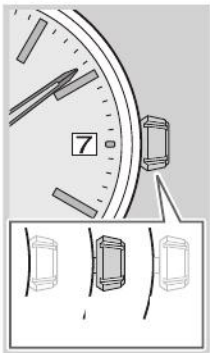
Have no calendar	Have calendar
	 <p data-bbox="987 443 1297 629">Some models have the calendar on a different position; some models does not have day-of-week indication.</p>
page <b>15</b>	page <b>16</b>

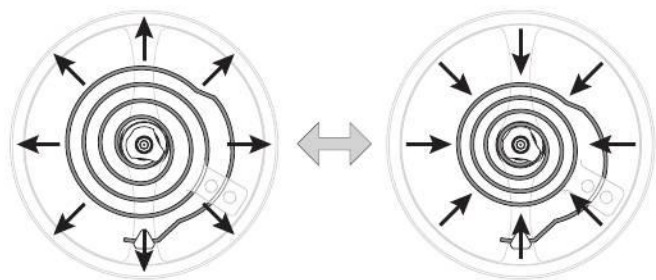










---



I



---



