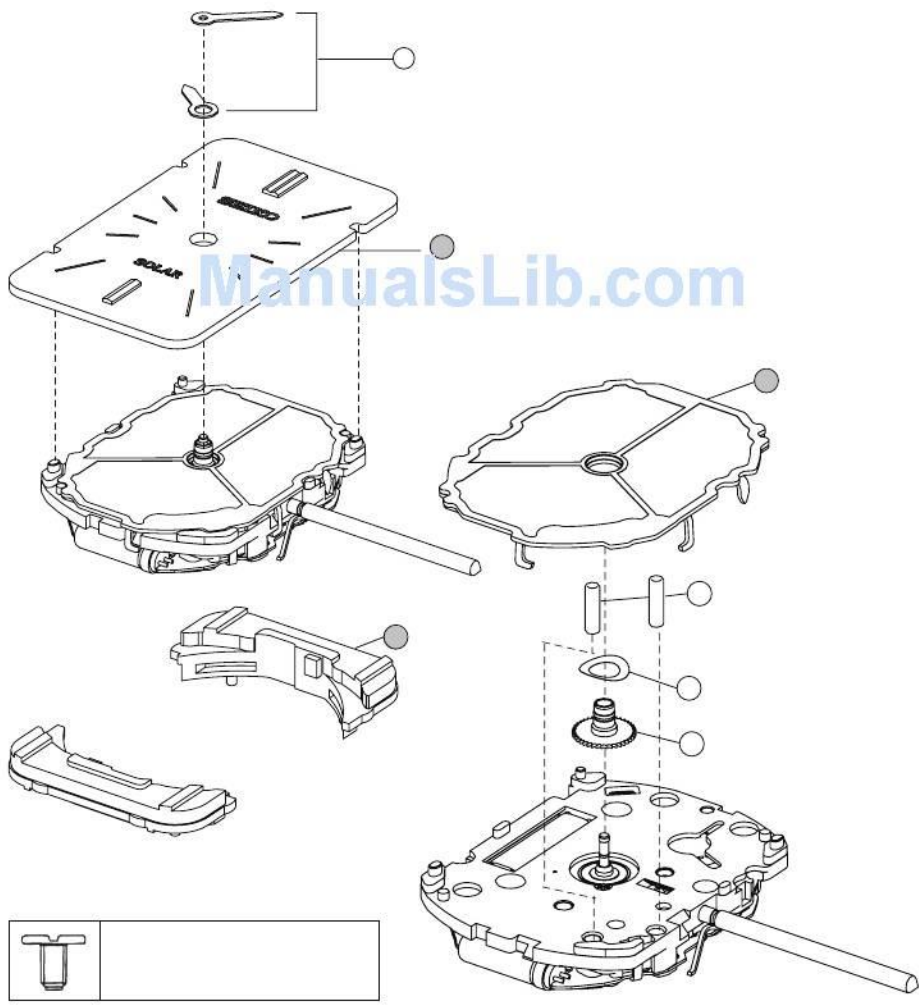
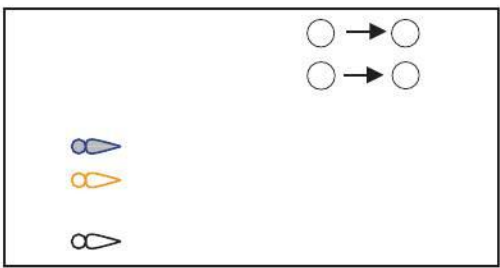
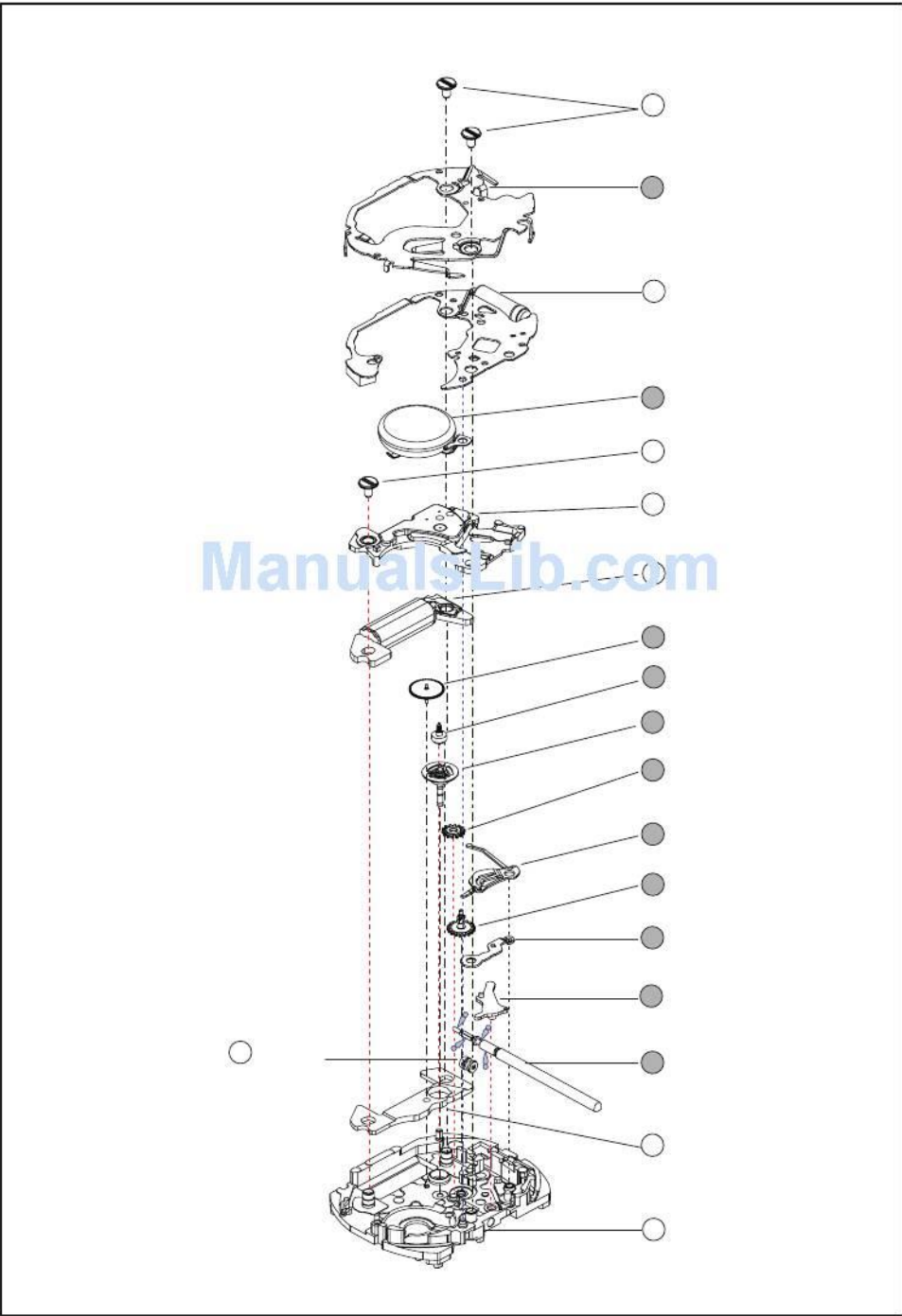

<p>ManualsLib.com</p>	

SEIKO WATCH CORPORATION



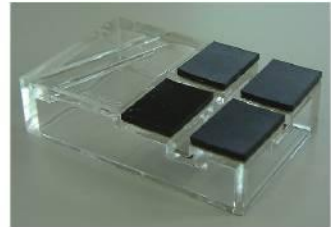

ManualsLib.com

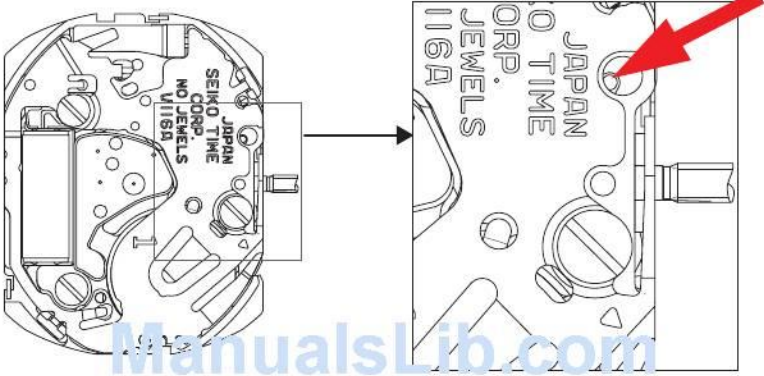
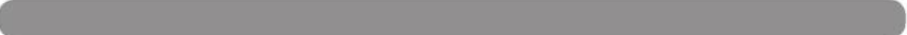




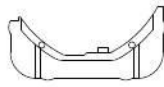
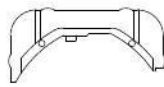
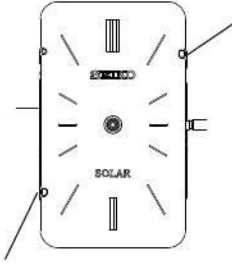
- 
- 

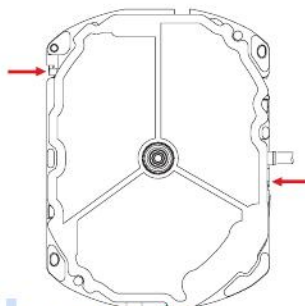
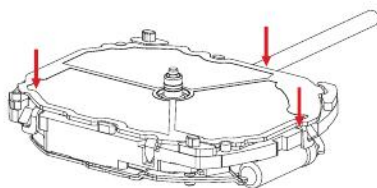
ManualsLib.com



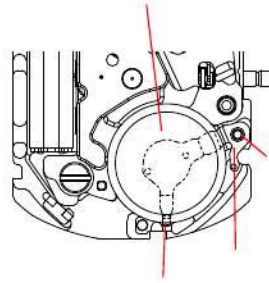


ManualsLib.com

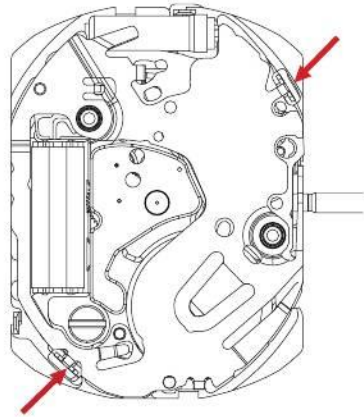




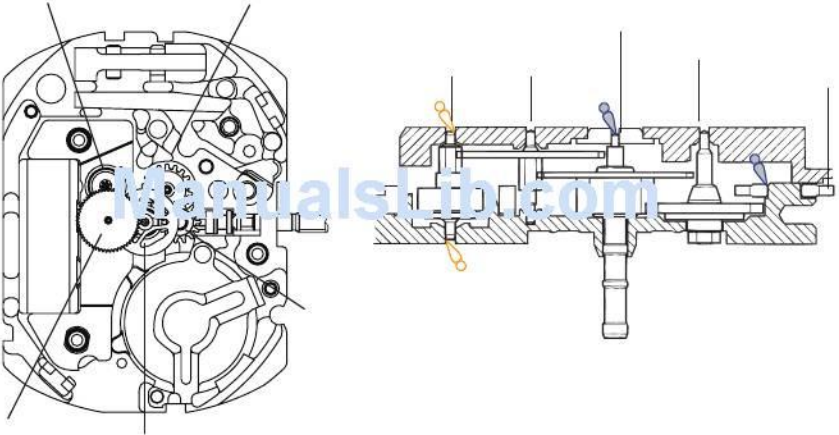
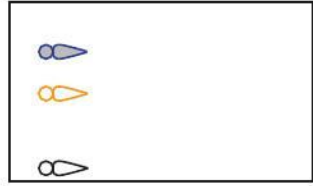
ManualsLib.com



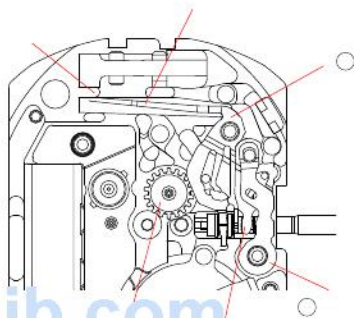
[ManualsLib.com](http://ManualsLib.com)



○ ○ ○ ○ ○

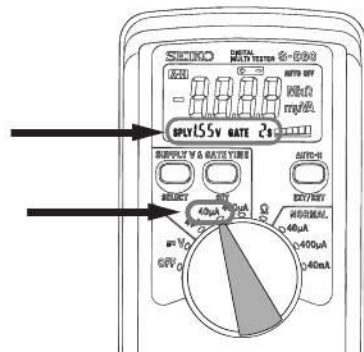
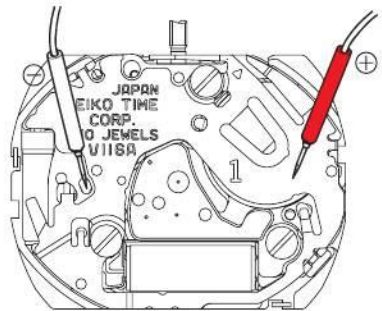


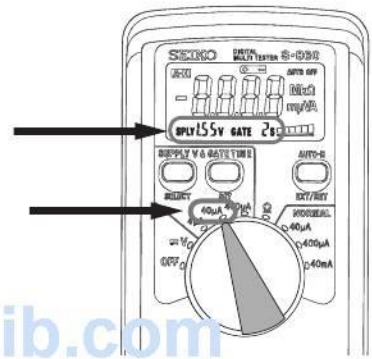
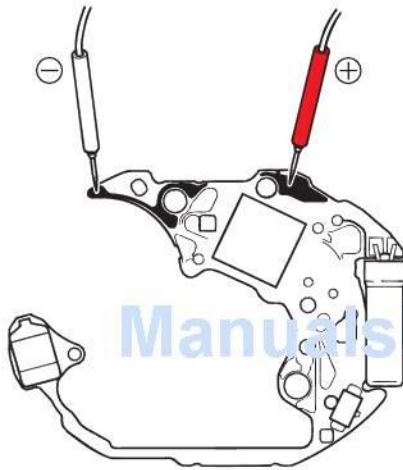
○○○



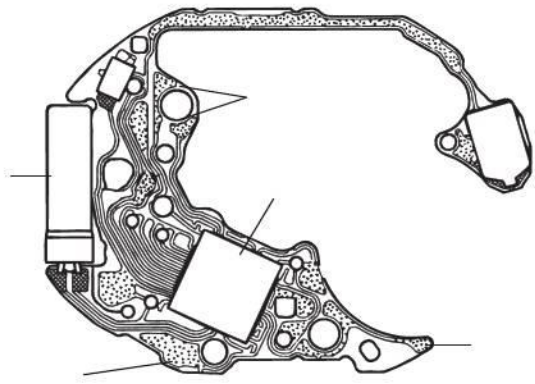
ManualsLib.com

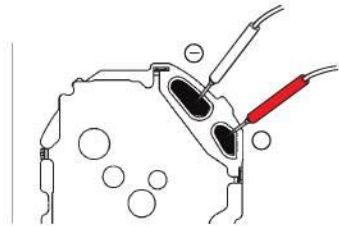
ManualsLib.com



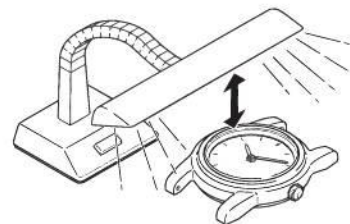
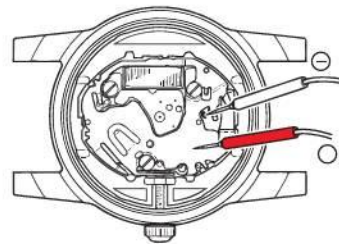


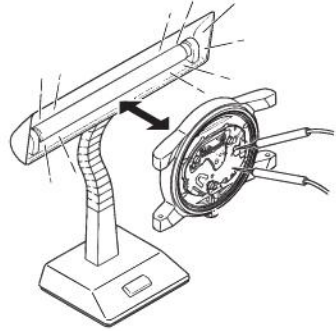
ManualsLib.com





ManualsLib.com



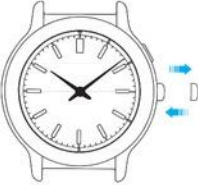
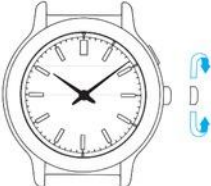



[ManualsLib.com](http://ManualsLib.com)

# TECHNICAL GUIDE

Cal. V116A

## ● Checking the general function

Operation	Function	Checkpoint
 <p>Pull out the crown to the 1st click and push it back in to the normal position. Repeat the same several times.</p>	<p>Setting mechanism - function of the time setting</p>	<p>Make sure that it has a click at the 1st click position and the stem is not pulled off.</p>
 <p>Pull out the crown to the 1st click, then turn it.</p>	<p>Setting mechanism - hour and minute hand setting</p> <hr/> <p>Hands installation</p>	<p>Make sure that the hour and minute hands move smoothly (without touching each other or touching the surface of the dial or inside of the glass).</p>

## ● Checking the water resistance

Check the water resistance according to the designated specification of the watch.

Marking on the case back	Test method	Applied pressure
WATER RESISTANT (WATER RESIST)	Air leak test	3 BAR
WATER RESIST 5BAR	Water pressure test	5 BAR
WATER RESIST 10BAR		10 BAR
WATER RESIST 15BAR	↓	15 BAR
WATER RESIST 20BAR		20 BAR
SCUBA DIVER'S (AIR DIVER'S) 150 m	Condensation test	18.75 BAR = 150 (m) times 0.125
SCUBA DIVER'S (AIR DIVER'S) 200 m	↓	25 BAR = 200 (m) times 0.125
He-GAS DIVER'S 300 m	Water pressure test	37.5 BAR = 300 (m) times 0.125
He-GAS DIVER'S 600 m	↓	75 BAR = 600 (m) times 0.125
He-GAS DIVER'S 1000 m	Condensation test	125 BAR = 1000 (m) times 0.125

## ● Accuracy test

Measure the rate and make sure the value shows within  $\pm 0.50$  s/d.

Use 10 seconds gate of the tester.