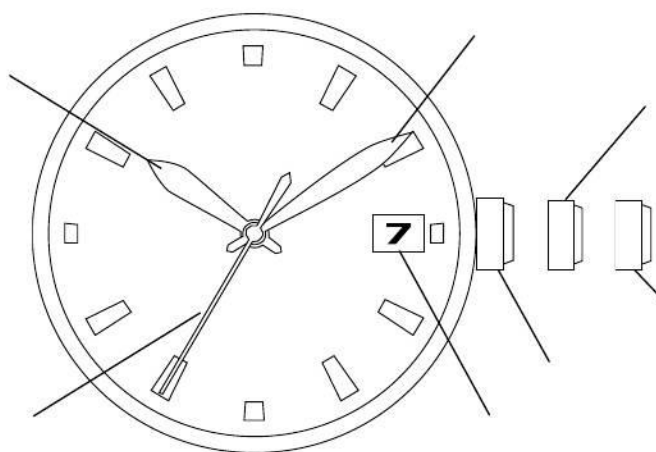
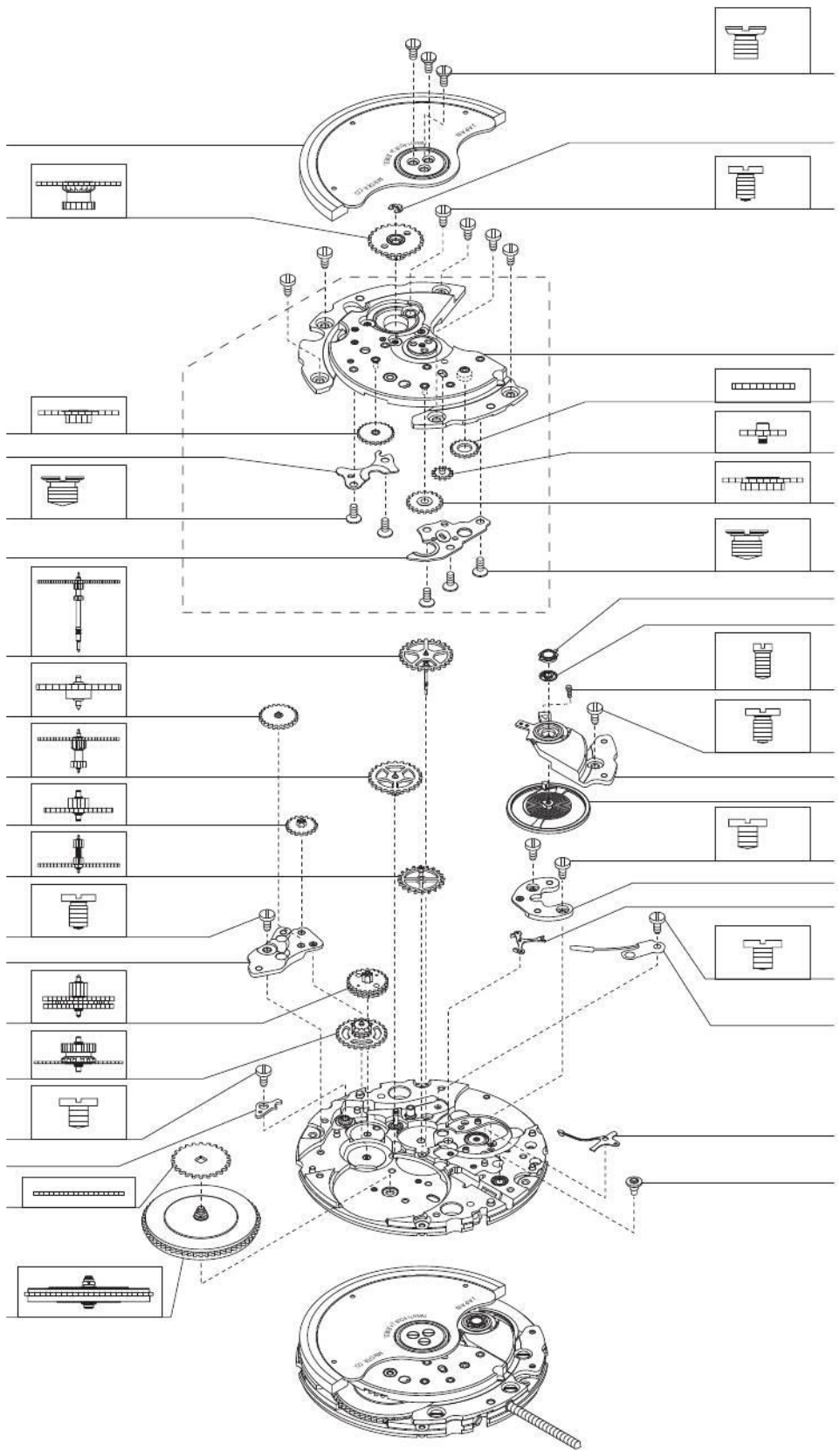
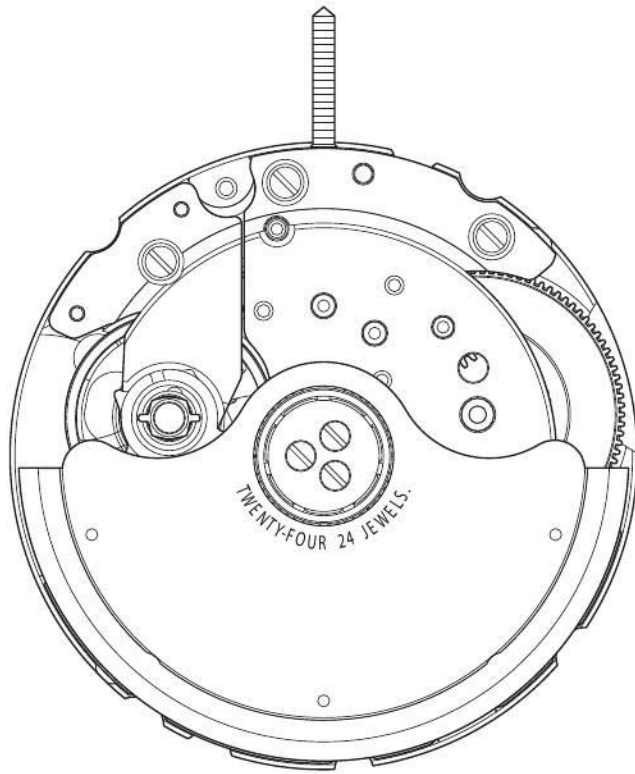


MIYOTA



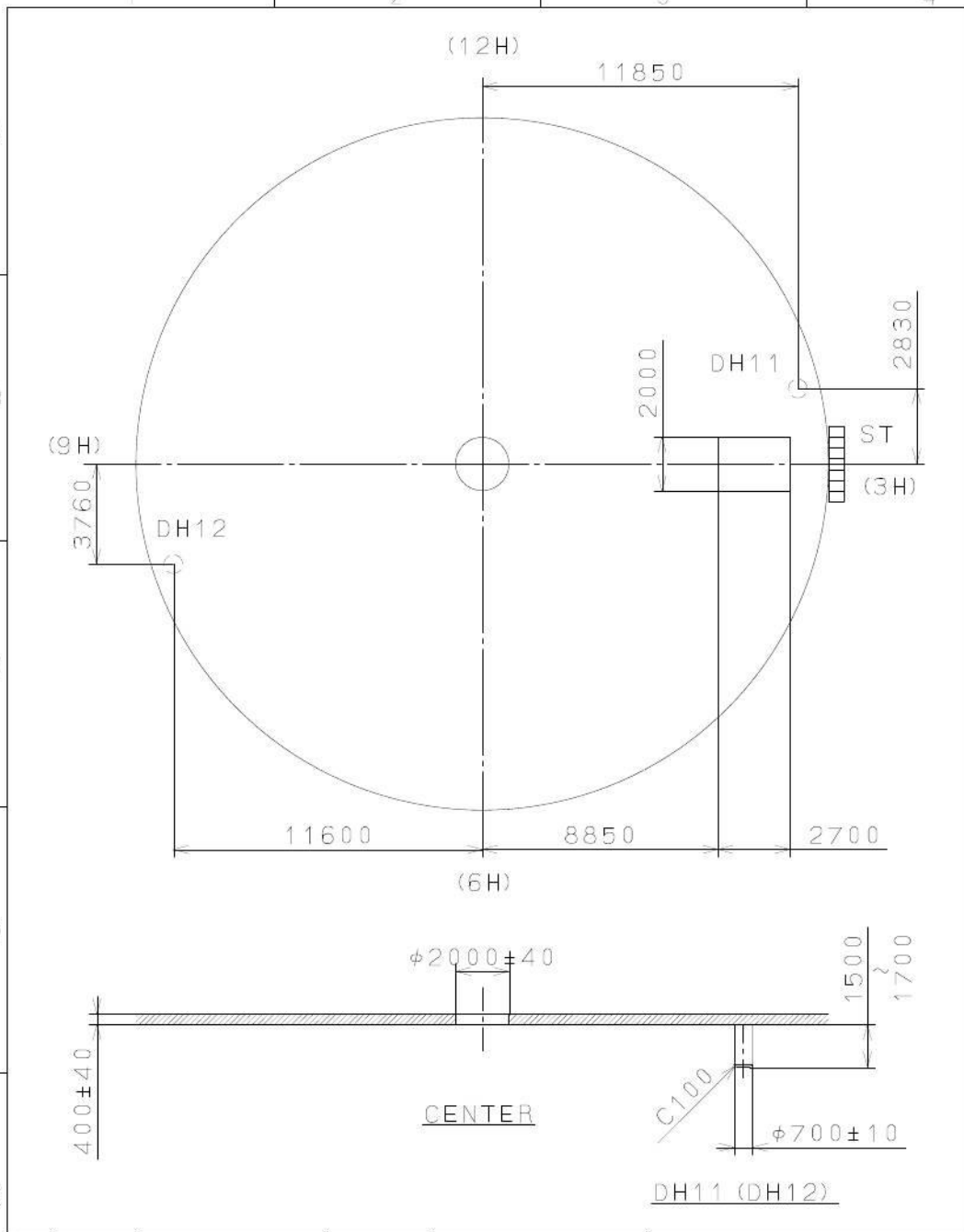
CITIZEN WATCH CO., LTD.





2009/03/25 (09:00:17)

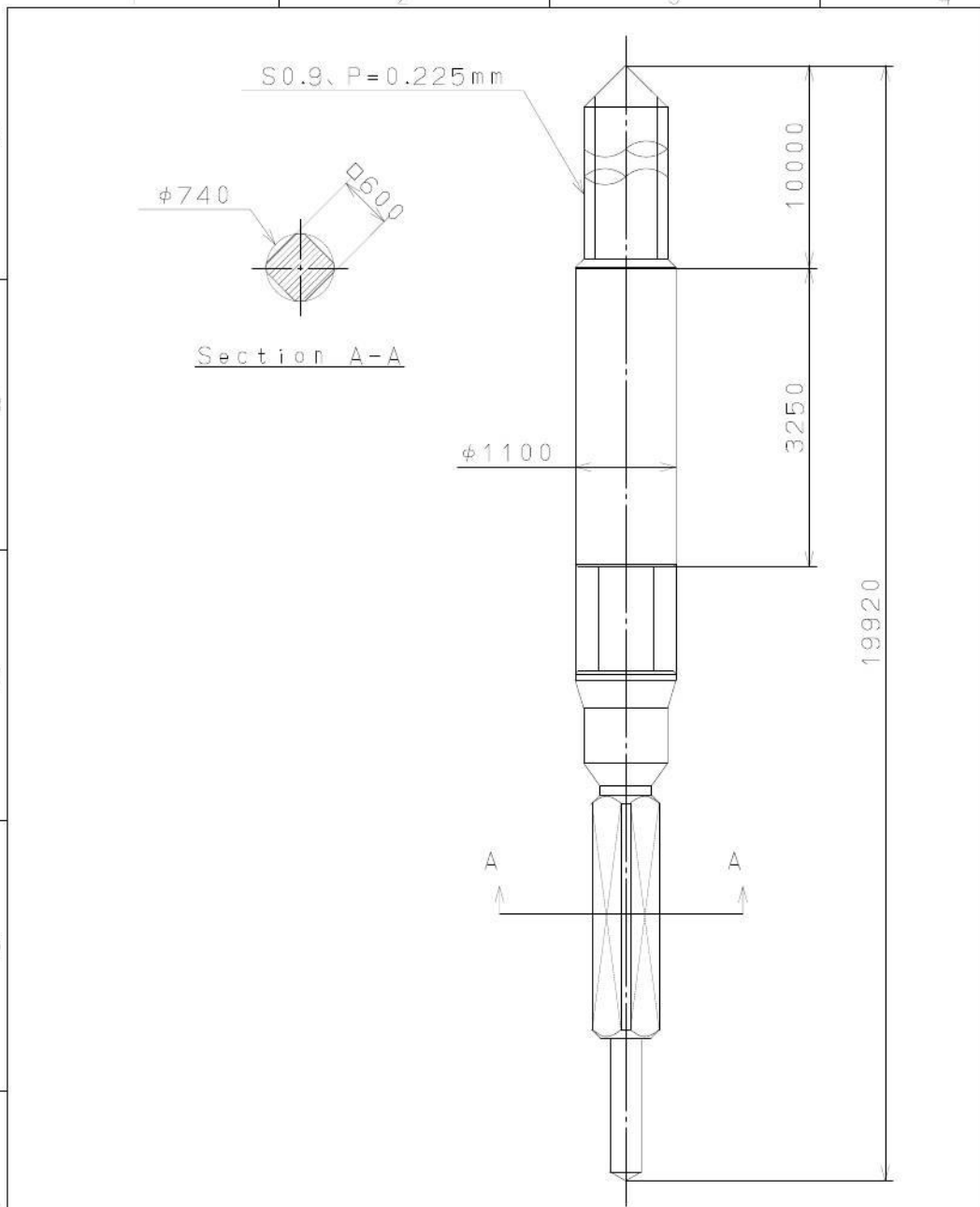
This drawing is provisional and subject to our reconfirmation and/or revision without notice.



△			Quantity		Cal. NO.:
△			Unit	1/1000mm	9015-24A
△			Scale	5:1	Parts No.:
△			Date		
△			Drawn		
Material			Checked	N. Suzuki	Name:
Heat Treatment			Approved		Indications for Dial
Hardness					Drawing No.:9015D001
Plating					
			General Tolerances	MIYOTA CITIZEN WATCH CO., LTD., TOKYO, JAPAN	
			Dimensions		
			Angles		

2009/03/19 (15:03:29)

This drawing is provisional and subject to our reconfirmation and/or revision without notice.



△			Quantity		Cal. NO.:
△			Unit	1/1000mm	
△			Scale	17:1	Parts No.:
△			Date		065-A05
△			Drawn		
Material			Checked	N. Suzuki	Name:
Heat Treatment			Approved		SETTING STEM
Hardness					Drawing No.:A050S000
Plating			General Tolerances		MIYOTA
			Dimensions		
			Angles		
					CITIZEN WATCH CO., LTD., TOKYO, JAPAN

MIYOTA



