

SEIKO WATCH CORPORATION

FEATURES

Cal. V137A is an analogue watch with a solar power generation system.

- Solar power generation system

The watch operates while charging electricity by converting light received on the dial to electrical energy. It lasts for 6 months after full charge.

- Energy depletion forewarning function

When the energy stored in the rechargeable battery is reduced to an extremely low level, the second hand starts moving at 2-second intervals instead of the normal 1-second intervals.

- Guideline of charging time

Environment/Light source	Illumination (lux)	Time required for full charge	Time required for steady operation	Time to charge 1 day of power
General offices/ Fluorescent Light	700	-	16 hours	110 minutes
30W 20cm/Fluorescent light	3,000	90 hours	4 hours	30 minutes
30W 3cm/ Fluorescent light	10,000	30 hours	1.2 hours	8 minutes
Cloudy weather/Sunlight	10,000	30 hours	1.2 hours	8 minutes
Fair weather/Sunlight	100,000	10 hours	0.1 hours	1 minutes

The above table provides only a general guideline.

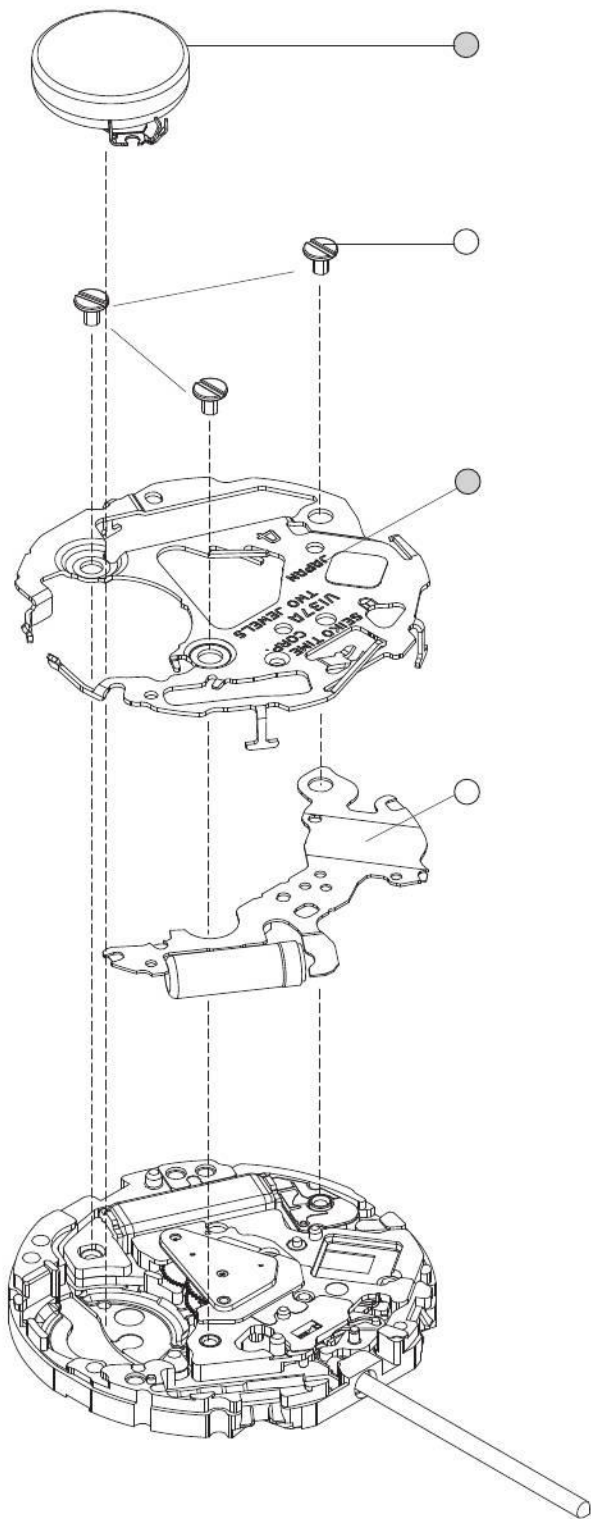
It is recommended that the watch be charged for as long as the charging time according to the column "Time required for steady operation" in this table in order to assure the stable movement of the watch.

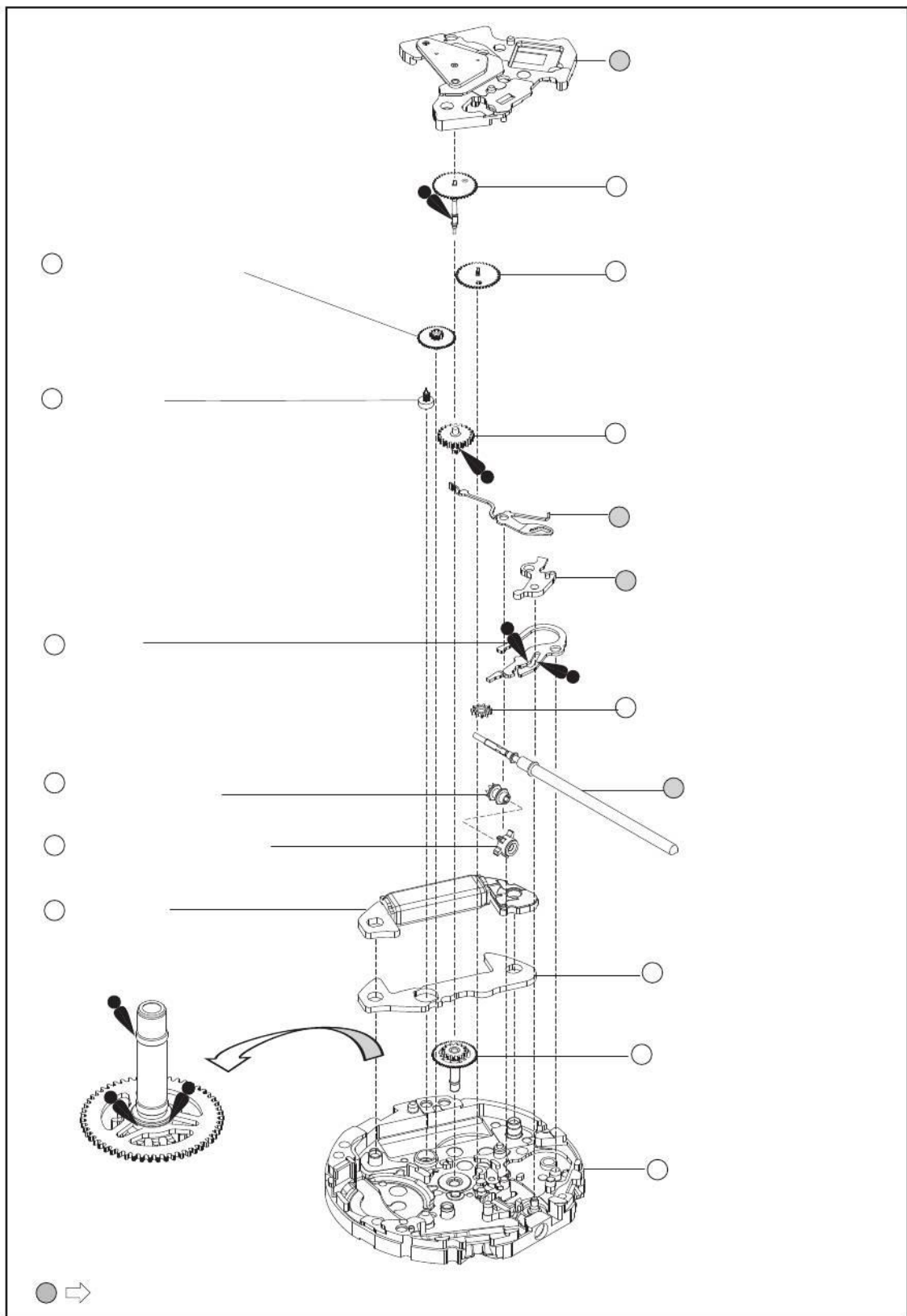
- Caution for charging

When charging the watch, do not place it too close to a photo flash light, spotlight, incandescent light or other light sources as the watch temperature will become extremely high, causing damage to the parts inside the watch.

When exposing the watch to sunlight for recharging, do not leave it on the dashboard of a car, etc. for a long time, as the increase of watch temperature to an extremely high level can damage watch parts or cause malfunctions.

While charging the watch, make sure the watch temperature does not exceed 60 °C.





● **How to find the correct parts, if not determined by 4 digit caliber number**

Following parts are determined based on the design of watches, such as hands height, dial color, and design of cases. Please refer to the SEIKO WATCH PARTS CATALOGUE in order to choose the corresponding parts.

- ⑤ HOLDING RING FOR DIAL 0866 ***
- ⑩ DATE DIAL 0878 ***
- ⑳ SETTING STEM 0351 892

● **Other parts to pay attention to:**

- ② DIAL
- ③ DIAL SHEET

DIAL SHEET is used or not used depending on the design of watches.
Whether it is used or not can be judged from parts number of the DIAL.

Model with DIAL SHEET: The 9th digit of Dial number is "T."

Example: V1370AA0TS14

Model without DIAL SHEET: The 9th digit of Dial number is "X."

Example: V1370AA0XS14

● **Rotation movement:**

The RECHARGEABLE BATTERY BLOCK is not assembled in the replacement movement for Cal.V137A.

