

***TECHNICAL  
INFORMATION***

---

**CITIZEN QUARTZ  
Cal.No.918※※**

 **CITIZEN**

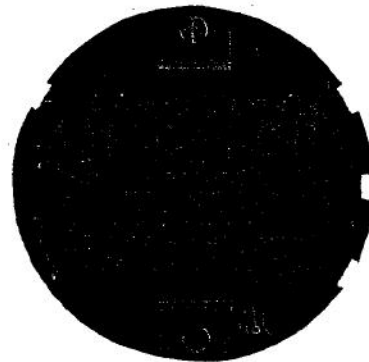
1. OUTLINE



This is a digital quartz crystal watch with liquid crystal display, featuring a compact and thin movement plus an excellent design and smooth manipulation. It contains the chronograph mechanism, dual time mechanism, service-mark display, and others in addition to the normal time display and calendar display.



**Movement  
(Power cell side)**



**Movement  
(LC display panel side)**

## FEATURES

**1) Multi-function quartz crystal watch:**

In addition to the normal time display of "hour", "minute", "second", "AM/PM" and "day", the watch contains multiple functions including the chronograph mechanism, dual time mechanism as well as the calendar display of "month", "day", "date" and "year" respectively.

**2) Service-mark display:**

With addition of a service-mark, the contents of the display can be known at a glance.

**3) High accuracy produced by quartz crystal oscillator:**

Such a high accuracy as  $\pm 10$  sec./month under normal temperature can be maintained thanks to highly stabilized frequency of 32,768Hz as well as a temperature compensation circuit.

**4) Automatic calendar correction:**

The "month", "date" and "leap year" are all memorized in a C/MOS-LSI, so the calendar is corrected and set automatically at the end of each month as far as the "year" is once set.

**5) Built-in internal illumination lamp:**

An internal illumination lamp is built into the watch to facilitate an easy readout of the time even in a dark place.

**6) Push-button type switch mechanism excelling in smooth manipulation:**

A smooth and easy manipulation is ensured with four push-buttons for the display switching, display correction, function selection and for the internal illumination.

**7) Easy-to-assemble/disassemble movement:**

The number of the component parts has been reduced extremely, which contributes to an easy disassembly and assembly.

**8) Continuous operation of about two years on a small-size silver-oxide power cell:**

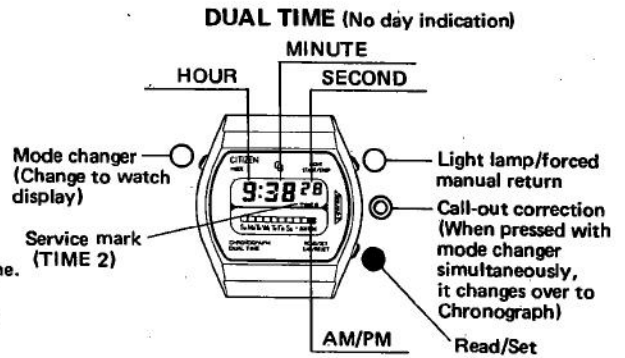
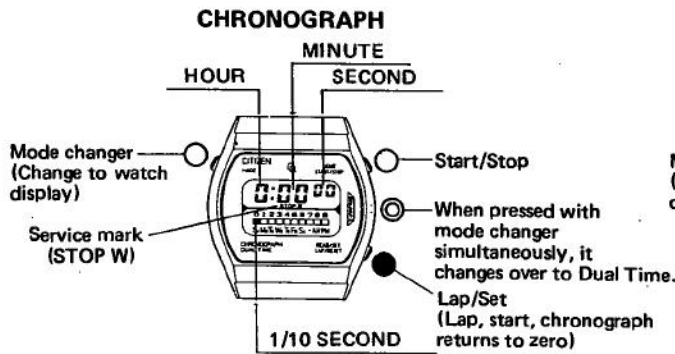
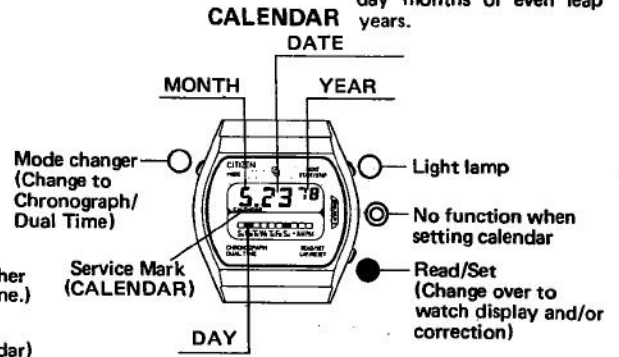
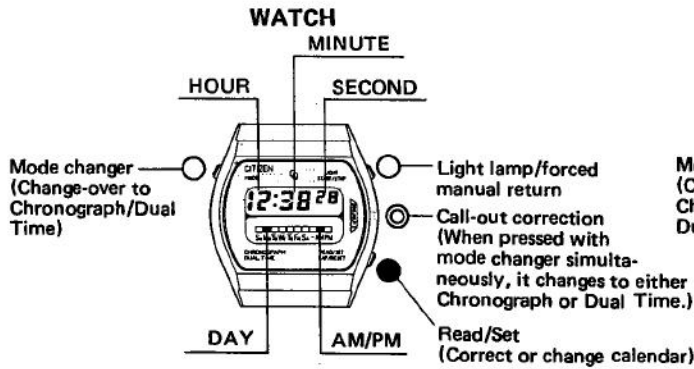
Thanks to a low power consumption at the electronic circuit, the watch can operate continuously and accurately for about two years on a single unit of small-size silver oxide power cell.

### 3. HANDLING INSTRUCTIONS

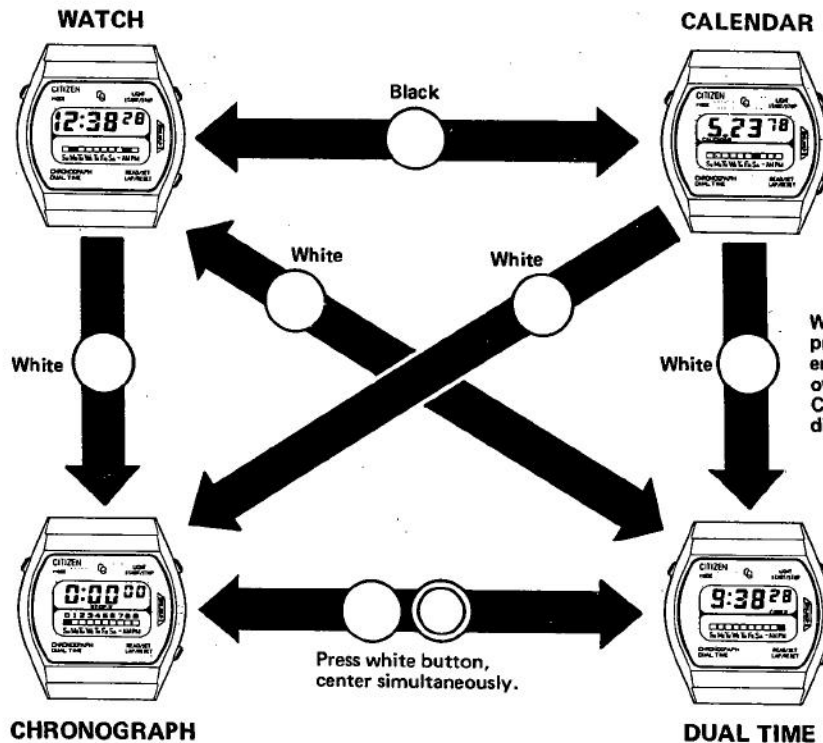
#### 1) BASIC FUNCTIONS AND USE OF BUTTONS

Respective operation of buttons is identified by different colors.

No correction is necessary regardless 28-, 30- or 31-day months or even leap years.



#### 2) HOW TO CHANGE FUNCTIONS

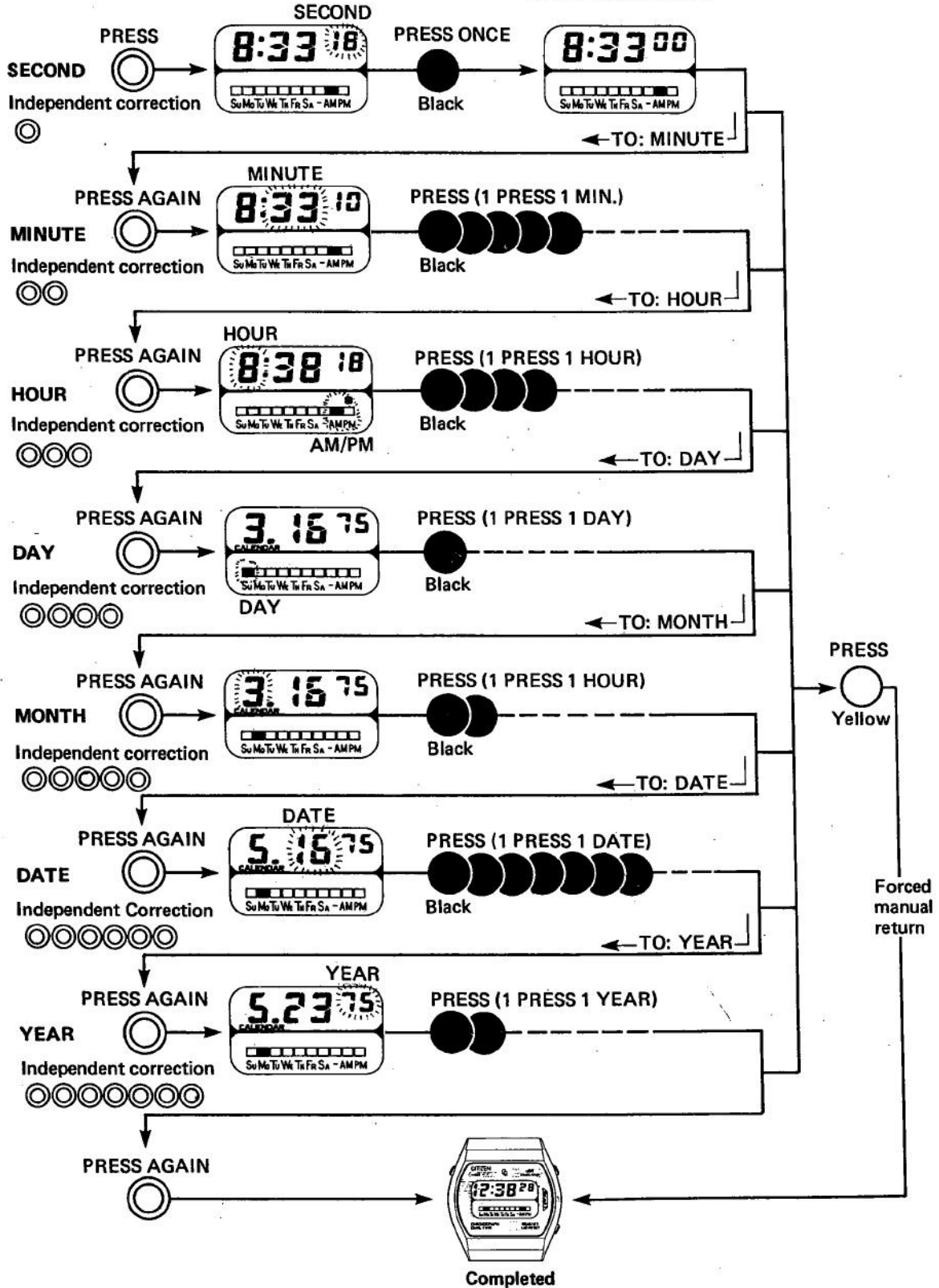


When white button is pressed, the watch or calendar display will change over to either the preset Chronograph or Dual Time display.

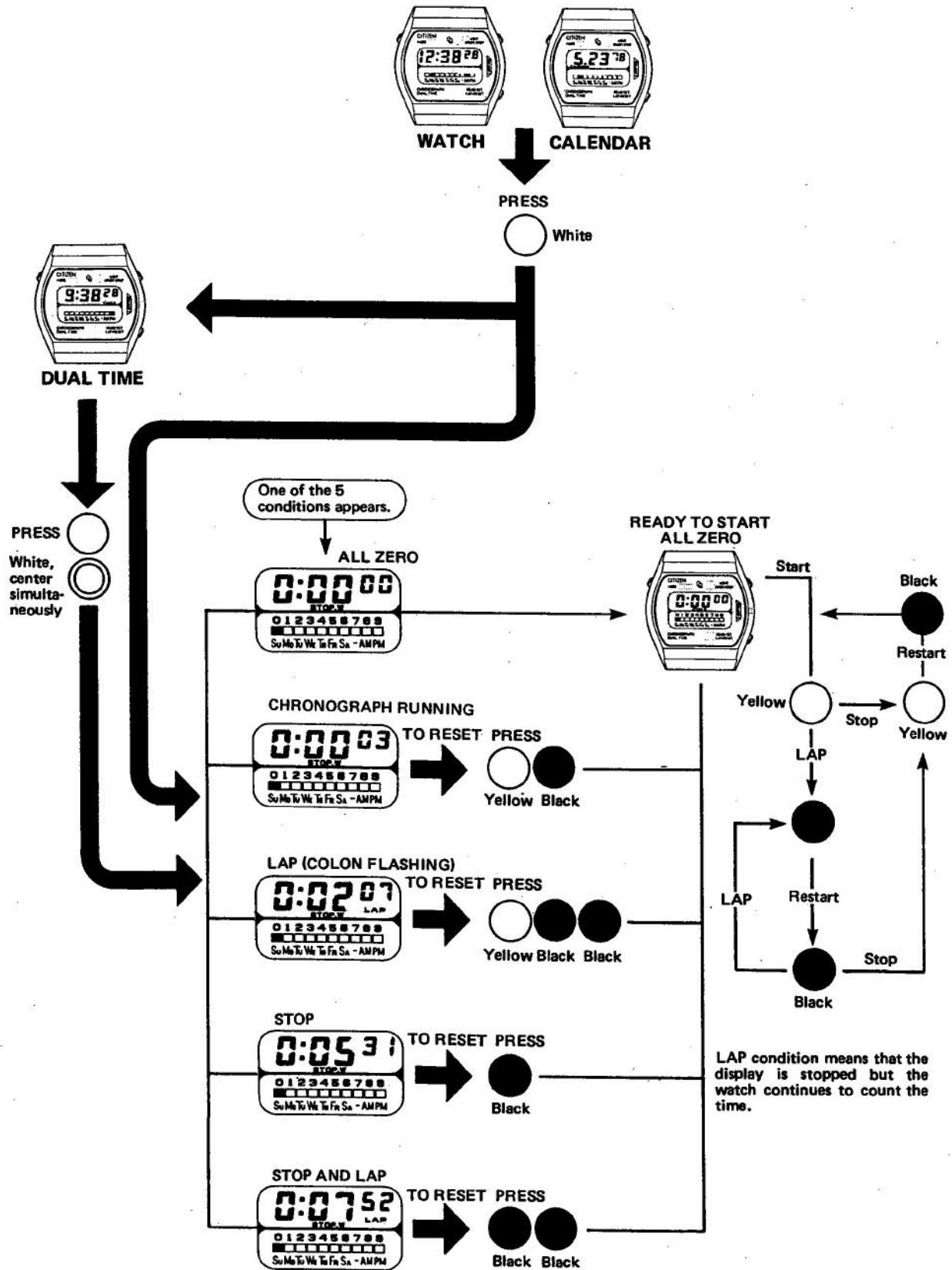
3) HOW TO ADJUST TIME CALENDAR



(Note) if black button is pressed when the time is indicating 30 to 59", the indicator will return to zero and will advance to the next minute.



4) CHRONOGRAPH: HOW TO RESET AND START



5) DUAL TIME: HOW TO RESET

